

30-Inch Single Wall Oven with Steam

\$4,999 – \$5,499 | CONTEMPORARY

dacor



DOB30M977SS/DA - Silver Stainless \$4,999
DOB30M977SM/DA - Graphite Stainless \$5,499

Features & Benefits

- Steam-Assist oven
- Dual Four-Part Pure Convection system
- BrightVue™ LED & halogen lighting
- 7-inch LCD control panel with SmartThings Wi-Fi connectivity
- Chef Mode guided cooking
- Digital temperature probe
- Self-clean oven
- SoftShut™ hinges

Controls

| | |
|---------------------------------|------------------------------|
| CONTROL TYPE | 7" Motorized LCD Touchscreen |
| CHEF MODE GUIDED COOKING | Yes |
| WI-FI + SMARTTHINGS | Yes |
| CLOCK | Yes |
| DELAY START | Yes |
| KITCHEN TIMER | Yes |
| CHILD LOCK | Yes |
| SABBATH MODE | Yes |

Steam Oven

| | |
|----------------------------------|----------------------------|
| OVEN CAPACITY (CU. FT.) | 4.8 |
| CONVECTION | Dual Four-Part Pure |
| STEAM | Steam-Assist |
| BAKE ELEMENT | 3,000W - 8 Pass |
| BROIL ELEMENT | 4,400W - 10 Pass |
| CONVECTION ELEMENT | 2 x 1,300W |
| INSTANTHEAT™ (NO PREHEAT) | Yes |
| TEMPERATURE PROBE | Yes |
| LIGHTING | BrightVue™ - LED & Halogen |
| SELF-CLEAN | Self-Clean, GreenClean™ |
| SOFTSHUT™ | Yes |

Weights & Dimensions

| | |
|---|--------------------------|
| NET WEIGHT (LBS.) | 186 |
| SHIPPING WEIGHT (LBS.) | 268 |
| PRODUCT DIMENSIONS (W X H X D IN INCHES) | 29 7/8 x 28 7/8 x 24 1/2 |
| STANDARD CUTOUT REQUIRED (W X H X D IN INCHES) | 28 3/4 x 27 1/4 x 23 1/2 |
| FLUSH CUTOUT REQUIRED (W X H X D IN INCHES) | 30 1/4 x 29 1/8 x 24 7/8 |

Technical Details

| | |
|-------------------------------|----------------------|
| ELECTRICAL REQUIREMENT | 240/208V, 60 Hz, 30A |
|-------------------------------|----------------------|

Warranty

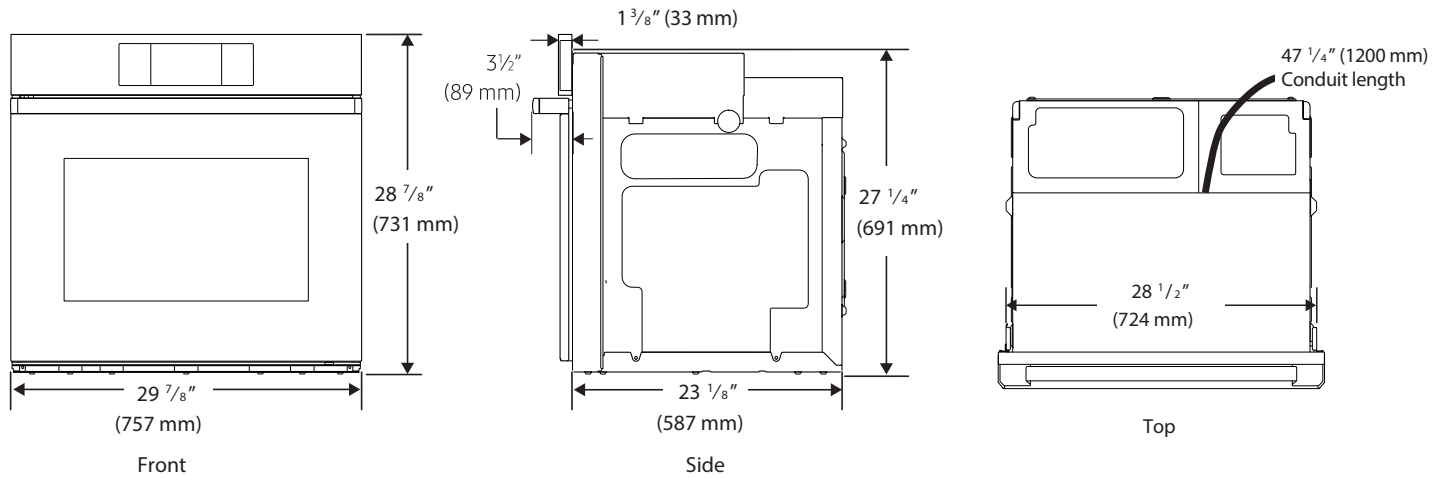
| | |
|----------------------|---------|
| FULL COVERAGE | 2 Years |
|----------------------|---------|

30-Inch Single Wall Oven with Steam



\$4,999 – \$5,499 | CONTEMPORARY

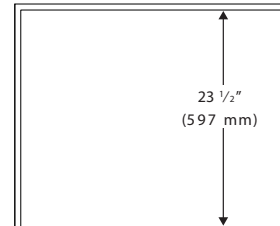
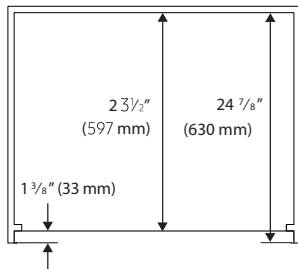
Product Dimensions



Installation Cutout Dimensions (Flush)

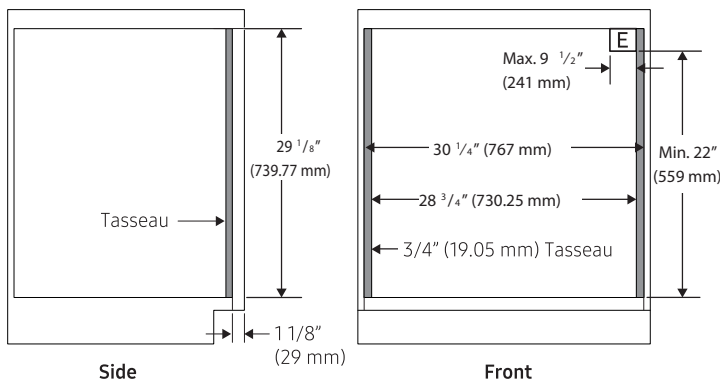
Installation Cutout Dimensions (Standard)

Allow a minimum of 22" for clearance to adjacent corners, drawers, walls, etc. when door is open.



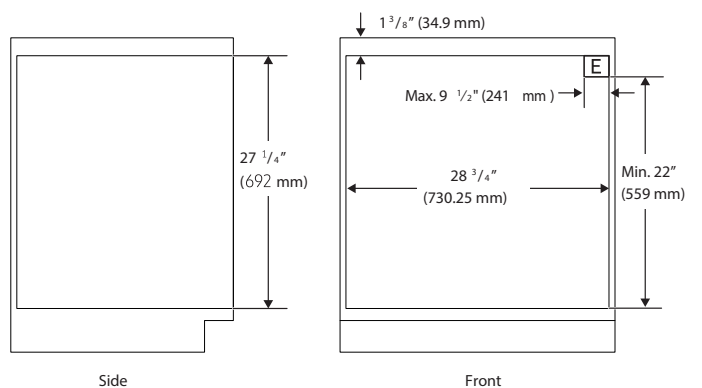
Top

Top



Side

Front



Side

Front