

30-Inch Combi Wall Oven

\$6,999 | TRANSITIONAL



DOC30P977DS/DA - Silver Stainless

Features & Benefits

- Steam-assist oven
- Convection speed oven
- Dual Four-Part Pure Convection system
- BrightVue™ LED & halogen lighting
- 7" LCD control panel with SmartThings Wi-Fi connectivity
- Chef Mode™ guided cooking
- Digital temperature probe
- Self-clean oven
- Softshut™ hinges

Controls

CONTROL TYPE	7" Motorized LCD Touchscreen + Knobs
CHEF MODE™ GUIDED COOKING	Yes
NUMBER OF KNOBS	4
ILLUMINA KNOBS	White
WI-FI + SMARTTHINGS	Yes
CLOCK	Yes
DELAY START	Yes
KITCHEN TIMER	Yes
CHILD LOCK	Yes
SABBATH MODE	Yes

Microwave Oven

MICROWAVE CAPACITY (CU. FT.)	1.9
MICROWAVE POWER	950W
CONVECTION	Yes
SPEED CONVECTION SEAR	Yes
SPEED BROIL	Yes
LIGHTING	White

Steam Oven

OVEN CAPACITY (CU. FT.)	4.8
CONVECTION	Four-Part Pure Convection
STEAM	Steam-Assist (Lower)
BAKE ELEMENT	3,000W - 8 Pass
BROIL ELEMENT	4,400W - 10 Pass
CONVECTION ELEMENT	2 x 1,300W
INSTANTHEAT™ (NO PREHEAT)	Yes
TEMPERATURE PROBE	Yes
LIGHTING	BrightVue™ - LED & Halogen
SELF-CLEAN	Self-Clean, Greenclean™
SOFTSHUT™	Yes

Weights & Dimensions

NET WEIGHT (LBS.)	148
SHIPPING WEIGHT (LBS.)	328
PRODUCT DIMENSIONS (W X H X D IN INCHES)	29 ¾ x 43 ¾ x 23 ½
STANDARD CUTOUT REQUIRED (W X H X D IN INCHES)	28 ¾ x 42 ¼ x 23 ½
FLUSH CUTOUT REQUIRED (W X H X D IN INCHES)	30 ¼ x 43 ¾ x 24 ¾

Technical Details

ELECTRICAL REQUIREMENT	240/208V, 60 Hz, 40A
-------------------------------	----------------------

Warranty

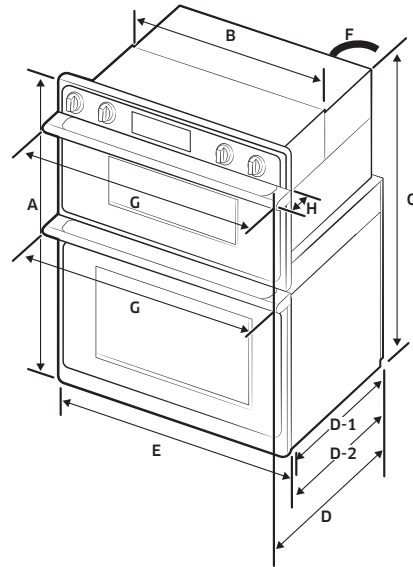
FULL COVERAGE	2 Years
----------------------	---------

30-Inch Combi Wall Oven

\$6,999 | TRANSITIONAL



Appliance Dimensions	
A - (IN/CM)	43 3/8" / 110.2
B - (IN/CM)	28 1/2" / 72.4
C - (IN/CM)	42" / 106.7
D - (IN/CM)	26 5/8" / 67.6
D-1 - (IN/CM)	23 1/8" / 58.7
D-2 - (IN/CM)	24 3/4" / 62
E - (IN/CM)	29 3/4" / 75.6
F - (IN/CM)	67" / 170
G - (IN/CM)	29 1/8" / 74.1
H - (IN/CM)	2 1/8" / 5.6



Installation Cutout Dimensions

Allow a minimum of 22" for clearance to adjacent corners, drawers, walls, etc. when door is open.

