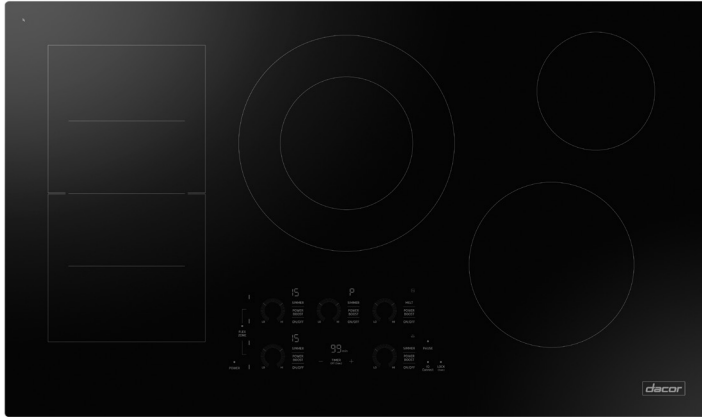


# 36-Inch Induction Cooktop

\$2,899

**dacor**



DTI36P876BB/DA - Black Glass

## Features & Benefits

- FlexZone®
- Glass-touch control panel with SmartThings Wi-Fi connectivity
- Auto Connect to compatible ventilation through Bluetooth
- Residual heat indicator
- Ceramic glass

## Controls

<b>CONTROL TYPE</b>	Glass Touch
<b>CHEF MODE GUIDED COOKING</b>	No
<b>WI-FI + SMARTTHINGS</b>	Yes
<b>BLUETOOTH AUTO CONNECT VENTILATION</b>	Yes
<b>RESIDUAL HEAT INDICATOR</b>	Yes, 2 Stages
<b>POWER ON/OFF</b>	Yes
<b>PAUSE</b>	Yes
<b>KITCHEN TIMER</b>	Yes
<b>CHILD LOCK</b>	Yes

## Cooktop

<b>COOKING ZONES</b>	5
<b>LEFT FRONT (W)</b>	1,800 (2,600 Boost)
<b>LEFT REAR (W)</b>	1,800 (2,600 Boost)
<b>CENTER (W)</b>	3,600 (4,800 Boost)
<b>RIGHT FRONT (W)</b>	2,200 (3,200 Boost)
<b>RIGHT REAR (W)</b>	1,400 (2,000 Boost)
<b>POWER LEVELS</b>	13 + 2 Boost
<b>FLEXZONE®</b>	Yes
<b>MELT &amp; SIMMER</b>	Yes
<b>VIRTUAL FLAME™</b>	No
<b>AUTO PAN DETECTION</b>	Yes

## Weights & Dimensions

<b>NET WEIGHT (LBS.)</b>	62
<b>SHIPPING WEIGHT (LBS.)</b>	69.9
<b>PRODUCT DIMENSIONS (W x H x D IN INCHES)</b>	36 x 3 1/8 x 21 1/4
<b>CUTOUT REQUIRED (W x D IN INCHES)</b>	33 7/8 to 34 x 19 1/8 to 19 3/16

## Technical Details

<b>ELECTRICAL REQUIREMENTS</b>	208/240V, 60 Hz, 45A
--------------------------------	----------------------

## Warranty

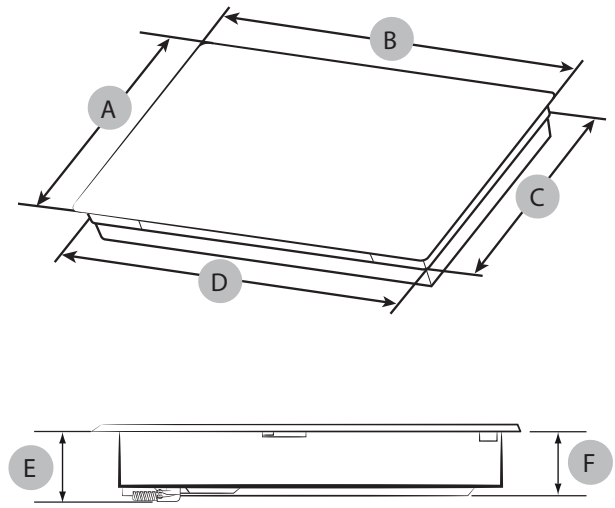
<b>FULL COVERAGE</b>	2 Years
----------------------	---------

# 36-Inch Induction Cooktop

**\$2,899**

**dacor**

Product Dimensions	
<b>A - FRAME DEPTH (IN/MM)</b>	21 ¼ / 540
<b>B - FRAME WIDTH (IN/MM)</b>	36 / 914
<b>C - CASE DEPTH (IN/MM)</b>	19 / 481.6
<b>D - CASE WIDTH (IN/MM)</b>	33 ¾ / 856.6
<b>E - CONDUIT CASE HEIGHT (IN/MM)</b>	4 / 101
<b>F - CASE HEIGHT (IN/MM)</b>	3 ⅝ / 80.5



Installation Cutout Dimensions	
<b>A - (IN/MM)</b>	33 ⅞ - 34 / 860 - 864
<b>B - (IN/MM)</b>	19 ⅞ - 19 ¾ / 485.6 - 487.6
<b>C - MIN (IN/MM)</b>	1 ⅞ / 28
<b>D - MIN (IN/MM)</b>	1 ½ / 38
<b>E - MIN (IN/MM)</b>	1 / 26
<b>F - MIN (IN/MM)</b>	10 / 254
<b>G - (IN/MM)</b>	15 / 381

