

# 24-Inch Drawer Microwave

\$1,799-\$1,899

**dacor**



**DMR24M977WS/DA** – Silver Stainless \$1,799

**DMR24M977WM/DA** – Graphite Stainless \$1,899

## Features & Benefits

- Motorized drawer
- 10 preset modes
- Smart moisture sensor
- Multi-sequence cooking
- Automatic start
- Keep warm
- Electronic control panel

## Weights & Dimensions

<b>NET WEIGHT (LBS.)</b>	72
<b>SHIPPING WEIGHT (LBS.)</b>	84
<b>PRODUCT DIMENSIONS (W X H X D IN INCHES)</b>	23 7/8 x 15 7/8 x 23 1/4
<b>STANDARD CUTOUT REQUIRED (W X H X D IN INCHES)</b>	22 1/8 x 15 3/8 x 23 1/2
<b>FLUSH CUTOUT REQUIRED (W X H X D IN INCHES)</b>	24 3/8 (min.) to 24 1/2 (max.) x 16 7/8 x 23 1/2

## Technical Details

<b>ELECTRICAL REQUIREMENTS</b>	120V, 60 Hz, 15A
--------------------------------	------------------

## Warranty

<b>FULL COVERAGE</b>	2 Years
----------------------	---------

## Accessories (Optional)

<b>ADMRF24S</b>	Flush Installation Kit, Silver Stainless	\$69
<b>ADMRF24M</b>	Flush Installation Kit, Graphite Stainless	\$79

## Features & Benefits

- Motorized drawer
- 10 preset modes
- Smart moisture sensor
- Multi-sequence cooking
- Automatic start
- Keep warm
- Electronic control panel

## Controls

<b>CONTROL TYPE</b>	Glass Touch
<b>CLOCK</b>	Yes
<b>CHILD LOCK</b>	Yes
<b>SABBATH MODE</b>	Yes

## Microwave Oven

<b>MICROWAVE CAPACITY (CU. FT.)</b>	1.2
<b>MICROWAVE POWER</b>	950W
<b>SENSOR COOK</b>	Yes
<b>CONVECTION</b>	No
<b>LIGHTING</b>	Halogen

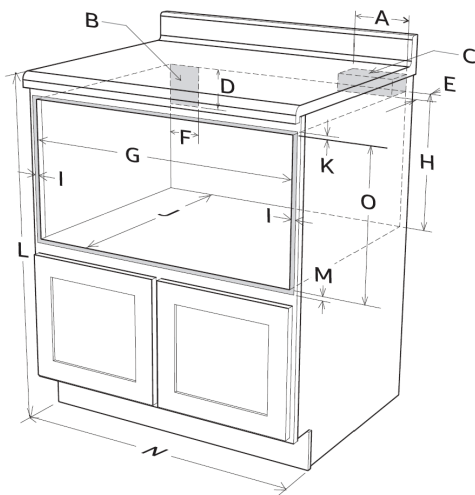
# 24-Inch Drawer Microwave

\$1,799-\$1,899

**dacor**

## Appliance Dimensions

<b>A - ANTI-TIP BLOCK LENGTH (IN)</b>	6
<b>B - ELECTRICAL OUTLET LOCATION (IN)</b>	-
<b>C - ANTI-TIP BLOCK (IN)</b>	-
<b>D - OUTLET LOCATION HEIGHT (IN)</b>	5
<b>E - ANTI-TIP BLOCK WIDTH (IN)</b>	3 ½
<b>F - OUTLET LOCATION WIDTH (IN)</b>	4
<b>G - CUTOUT-OPENING WIDTH (IN)</b>	22 ⅝
<b>H - CUTOUT FLOOR TO BLOCK BOTTOM (IN)</b>	14 ⅜
<b>I - MINIMUM OVERLAP ALLOWANCE, SIDES (IN)</b>	⅞
<b>J - MINIMUM CUTOUT DEPTH (IN)</b>	23 ½
<b>K - MINIMUM OVERLAP ALLOWANCE (IN)</b>	⅜
<b>L - NOMINAL COUNTERTOP HEIGHT (IN)</b>	36
<b>M - MINIMUM OVERLAP ALLOWANCE, BOTTOM (IN)</b>	⅛
<b>N - MINIMUM CABINET WIDTH (IN)</b>	24
<b>O - CUTOUT HEIGHT (IN)</b>	15 ⅝



## Appliance Dimensions

<b>A - OVERALL CHASSIS WIDTH (IN)</b>	21 ⅝
<b>B - WIDTH OF CHASSIS NOTCH (IN)</b>	4 ⅙
<b>C - HEIGHT OF CHASSIS NOTCH (IN)</b>	1 ¼
<b>D - CHASSIS DEPTH (IN)</b>	21 ⅞
<b>E - MICROWAVE FACE WIDTH (IN)</b>	30
<b>F - WITH MODERNIST HANDLE (IN)</b>	15 ⅞
<b>G - CHASSIS HEIGHT (IN)</b>	14 ⅜
<b>H - DOOR FACE THICKNESS (IN)</b>	1 ¼
<b>I - AUTOMATIC DRAWER-OPEN DEPTH (IN)</b>	15
<b>J - CHASSIS NOTCH WIDTH (IN)</b>	4

