

# 30-Inch Drawer Microwave

\$1,899 – \$1,999

**dacor**



**DMR30M977WS** – Silver Stainless \$1,899  
**DMR30M977WM** – Graphite Stainless \$1,999

## Features & Benefits

- Motorized drawer
- 10 preset modes
- Smart moisture sensor
- Multi-sequence cooking
- Automatic start
- Keep warm
- Electronic control panel

## Weights & Dimensions

<b>NET WEIGHT (LBS.)</b>	105
<b>SHIPPING WEIGHT (LBS.)</b>	89
<b>PRODUCT DIMENSIONS (W X H X D IN INCHES)</b>	30 x 15 7/8 x 23 1/4
<b>STANDARD CUTOUT REQUIRED (W X H IN INCHES)</b>	22 1/8 (min) to 28 7/16 (max) x 15 5/16 x 23 1/2
<b>FLUSH CUTOUT REQUIRED (W X H IN INCHES)</b>	30 3/16 (min) to 30 3/8 (max) x 16 7/8 x 23 1/2

## Technical Details

<b>ELECTRICAL REQUIREMENTS</b>	120V, 60 Hz, 15A
--------------------------------	------------------

## Warranty

<b>FULL COVERAGE</b>	2 Years
----------------------	---------

## Controls

<b>CONTROL TYPE</b>	Glass Touch
<b>CLOCK</b>	Yes
<b>CHILD LOCK</b>	Yes

## Microwave Oven

<b>MICROWAVE CAPACITY (CU. FT.)</b>	1.2
<b>MICROWAVE POWER</b>	950W
<b>SENSOR COOK</b>	Yes
<b>CONVECTION</b>	No
<b>LIGHTING</b>	Halogen

## Accessories (Optional)

<b>ADMRF30S</b>	Flush Installation Kit, Silver Stainless	\$69
<b>ADMRF30M</b>	Flush Installation Kit, Graphite Stainless	\$79

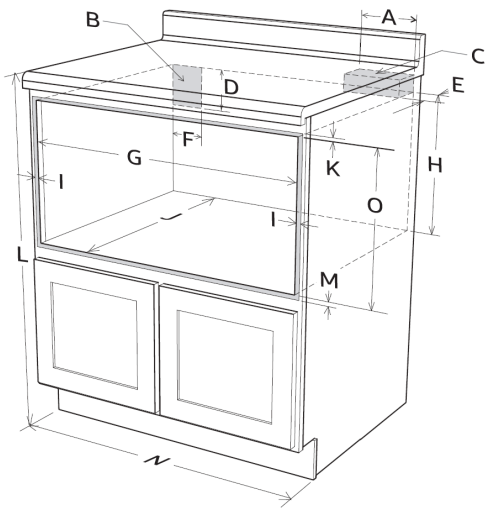
# 30-Inch Drawer Microwave

**\$1,899 – \$1,999**



## Product Dimensions

<b>A - ANTI-TIP BLOCK LENGTH (IN)</b>	6
<b>B - ELECTRICAL OUTLET LOCATION (IN)</b>	–
<b>C - ANTI-TIP BLOCK (IN)</b>	–
<b>D - OUTLET LOCATION HEIGHT (IN)</b>	5
<b>E - ANTI-TIP BLOCK WIDTH (IN)</b>	3 ½
<b>F - OUTLET LOCATION WIDTH (IN)</b>	4
<b>G - CUTOUT-OPENING WIDTH RANGE (IN)</b>	22 ⅞ (min.) to 28 ⅞ (max.)
<b>H - CUTOUT FLOOR TO BLOCK BOTTOM (IN)</b>	14 ⅜
<b>I - MINIMUM OVERLAP ALLOWANCE, SIDES (IN)</b>	2 ⅜
<b>J - MINIMUM CUTOUT DEPTH (IN)</b>	23 ½
<b>K - MINIMUM OVERLAP ALLOWANCE (IN)</b>	⅜
<b>L - NOMINAL COUNTERTOP HEIGHT (IN)</b>	36
<b>M - MINIMUM OVERLAP ALLOWANCE, BOTTOM (IN)</b>	⅛
<b>N - MINIMUM CABINET WIDTH (IN)</b>	30
<b>O - CUTOUT HEIGHT (IN)</b>	15 ⅞



## Product Dimensions

<b>A - OVERALL CHASSIS WIDTH (IN)</b>	21 ⅞
<b>B - WIDTH OF CHASSIS NOTCH (IN)</b>	4 ⅞
<b>C - HEIGHT OF CHASSIS NOTCH (IN)</b>	1 ¼
<b>D - CHASSIS DEPTH (IN)</b>	21 ⅞
<b>E - MICROWAVE FACE WIDTH (IN)</b>	30
<b>F - WITH MODERNIST HANDLE (IN)</b>	15 ⅞
<b>G - CHASSIS HEIGHT (IN)</b>	14 ⅜
<b>H - DOOR FACE THICKNESS (IN)</b>	1 ¼
<b>I - AUTOMATIC DRAWER-OPEN DEPTH (IN)</b>	15
<b>J - CHASSIS NOTCH WIDTH (IN)</b>	4

