

30-Inch Over-The-Range Microwave

\$749

dacor



PCOR30S – Silver Stainless

Features & Benefits

- 300 CFM ventilation system
- Convection and microwave combination cooking
- Sensor cooking
- Over-the-range installation
- Two-level cooking rack
- Removable filter
- Keep warm

Controls

CONTROL TYPE	Membrane Touch
CLOCK	Yes
CHILD LOCK	Yes

Microwave Oven

MICROWAVE CAPACITY (CU. FT.)	1.1
MICROWAVE POWER	850W
SENSOR COOK	Yes
CONVECTION	Yes
LIGHTING	Halogen

Ventilation

CFM	300
FAN SPEEDS	2
FILTER	Mesh
COOKTOP LIGHTING	Yes
DUCTING	Vent Out or Recirculation

Weights & Dimensions

NET WEIGHT (LBS.)	78
SHIPPING WEIGHT (LBS.)	84
PRODUCT DIMENSIONS (W X H X D IN INCHES)	29 15/16 x 16 1/4 x 15 1/4
STANDARD CUTOUT REQUIRED (W X H X D IN INCHES)	30 x 15 1/2 x 12

Technical Details

ELECTRICAL REQUIREMENTS	120V, 60 Hz, 15A
--------------------------------	------------------

Warranty

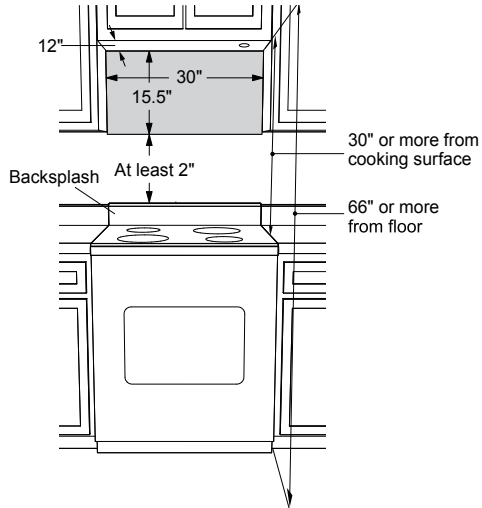
FULL COVERAGE	2 Years
----------------------	---------

30-Inch Over-The-Range Microwave

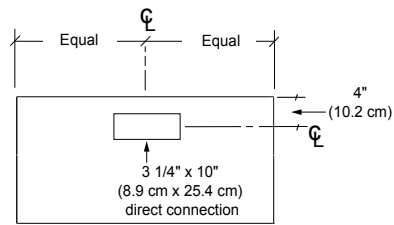
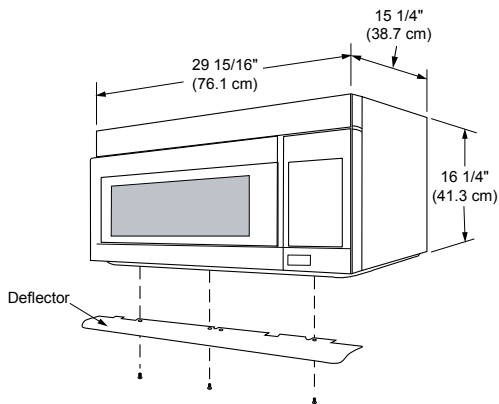
\$749

dacor

Product Dimensions



UPPER CABINET DIMENSIONS



MICROWAVE EXHAUST LOCATION

Model numbers, specifications, and prices are subject to change at any time without notice. Visit dacor.com for the most up-to-date information. | Effective June 2023