



36-INCH GAS RANGE

HGPR36 | PROFESSIONAL STYLE



AVAILABLE MODELS

HGPR36S/NG	36" Professional Gas Range - Natural Gas
HGPR36S/NG/H	36" Professional Gas Range - Natural Gas High Altitude
HGPR36S/LP	36" Professional Gas Range - Liquid Propane
HGPR36S/LP/H	36" Professional Gas Range - Liquid Propane High Altitude
HGPR36C/NG	36" Professional Gas Range - DacorMatch - Natural Gas
HGPR36C/NG/H	36" Professional Gas Range - DacorMatch - Natural Gas High Altitude
HGPR36C/LP	36" Professional Gas Range - DacorMatch - Liquid Propane
HGPR36C/LP/H	36" Professional Gas Range - DacorMatch - Liquid Propane High Altitude

FEATURES & BENEFITS

- Three-Part Convection System – air baffle, fan and removable convection filter to precisely distribute heat for superior cooking results.
- Large oven capacity - 5.2 cu. ft.
- 6 Dual-Stack Sealed Burners.
- Powerful 18K BTU and true simmer burners.
- Illumina™ Knobs - White LED.
- Continuous Grate Platform.
- All Brass Valves, Heads and Caps.
- Self-cleaning oven.
- Downdraft compatible.

ADDITIONAL FEATURES

CLEANING TYPE	SELF CLEAN
TYPE OF GRATE	CONTINUOUS CAST IRON
CAVITY	BLACK ENAMEL COATING
OVEN RACK POSITIONS	6
LIGHTING	LED & HALOGEN

DIMENSIONS & WEIGHT

APPLIANCE DIMENSIONS (H X W X D) (IN.)	36 3/16" - 37 1/2" X 35 7/8" X 26 7/8"
REQUIRED CUTOUT SIZE (W X D) (IN.)	36" X 24"

WARRANTY

LIMITED, PARTS AND LABOR	1 YEAR
--------------------------	--------

ACCESSORIES (INCLUDED)

GLIDERACK™	2
STANDARD RACK	1
WOK RING	1
REMOVABLE CONVECTION FILTER	1
BRASS/BLACK PORCELAIN BURNER CAPS	6/EA
REMOVABLE NON-STICK GRIDDLE	1

ACCESSORIES (OPTIONAL)

COOKIE SHEETS (SET OF 3)	ACS303
REMOVABLE NON-STICK GRIDDLE	AG36
BROIL/ROASTING PAN W/GRILL & V RACK	AORPVR
STAINLESS STEEL BACKGUARD 6"	AHB36G6
STAINLESS STEEL BACKGUARD 9"	AHB36G9
EPICURE HANDLE SET, RANGE 36"	AHHESR36

GENERAL PROPERTIES

OVEN CAPACITY (CUBIC FEET)	5.2
COOKING MODES	CONVECTION BAKE; BAKE CONVECTION BROIL; BROIL

OVEN PERFORMANCE

HIDDEN STAINLESS STEEL BAKE BURNER	24,000 BTU
INFRARED CERAMIC BROIL GAS BURNER	18,000 BTU

BURNER PERFORMANCE

TOTAL NUMBER OF COOKTOP BURNERS	6 DUAL STACK BRASS BURNERS
LEFT FRONT (BTU)	18,000 DUAL (SIMMER/SEAR)
LEFT REAR (BTU)	15,000 STACK DUAL (SIMMER)
CENTER FRONT (BTU)	15,000 STACK DUAL (SIMMER)
CENTER REAR (BTU)	15,000 STACK DUAL (SIMMER)
RIGHT FRONT (BTU)	18,000 STACK DUAL (SIMMER/SEAR)
RIGHT REAR (BTU)	15,000 STACK DUAL (SIMMER)
SEALED BURNERS	YES
PERMA-FLAME™ (AUTO RE-IGNITION)	YES

ADDITIONAL MODES

KEEP WARM	YES
-----------	-----

CONTROL FEATURES

LED (WHITE)	YES
NUMBER OF KNOBS	7 KNOBS
OVEN CONTROL METHOD	KNOBS
ILLUMINA™ BURNER KNOBS	YES
HIGHLIGHTING COLOR	WHITE
TEMPERATURE (F/C)	YES

TECHNICAL DETAILS

CIRCUIT BREAKER (A)	15 AMPS
VOLTS (V)	120 VAC
FREQUENCY (HZ)	60 HZ
ENERGY SOURCE	GAS AND ELECTRICAL
PLUG TYPE	GROUNDING, DEDICATED, 3-PRONG ELECTRICAL OUTLET
GAS TYPES	NATURAL GAS NATURAL GAS (HIGH ALTITUDE) LIQUID PROPANE LIQUID PROPANE (HIGH ALTITUDE)

dacor 36-INCH GAS RANGE

APPLIANCE DIMENSIONS

36"

A (WIDTH)	35 7/8" (91.1CM)
B (DEPTH)	26 7/8" (68.3CM)
C (HEIGHT)	36 3/16" TO 37 1/2" (91.9-95.3CM)

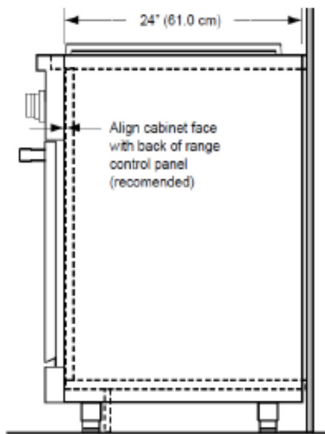
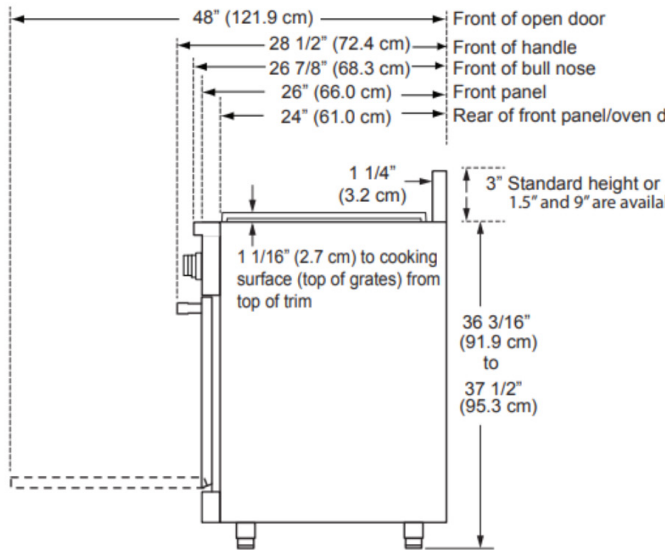
Product tolerances: +/- 1/16" (+/-1.6MM)

CABINET CUT-OUT DIMENSIONS

RANGE MODEL	F	G
HGPR36	42" (106.7 CM)* 36" (91.4 CM)**	36" (91.4 CM)**

* Recommended
** Minimum

Cutout tolerances: +1/16" (+1.6 mm), -0 unless otherwise stated



View of Range Installed (Side View)

