



48-INCH DOWNDRAFT

MRV48



AVAILABLE MODELS

MRV48M	48" Downdraft, Graphite Stainless
MRV48S	48" Downdraft, Silver Stainless
MRV48-ERM	48" Downdraft, Graphite Stainless (Range)
MRV48-ERS	48" Downdraft, Silver Stainless (Range)

FEATURES & BENEFITS

- Stepless blower speed capacity
- Versatile blower options (600 CFM to 1,100 CFM)
- Extend and retract downdraft with a touch of a button
- American made
- Removable, easy-to-clean filters capture grease without affecting the airflow

CONTROL FEATURES

FAN SPEEDS	STEPLESS
LOCATION	FRONT

BLOWER OPTIONS

REMP3	600 CFM REMOTE BLOWER
REMP16	1,000 CFM REMOTE BLOWER
ILHSF8	600 CFM INLINE BLOWER
ILHSF10	1,100 CFM INLINE BLOWER

TECHNICAL DETAILS

CIRCUIT BREAKER (A)	15
VOLTS (V)	120
FREQUENCY (HZ)	60
ENERGY SOURCE	ELECTRIC

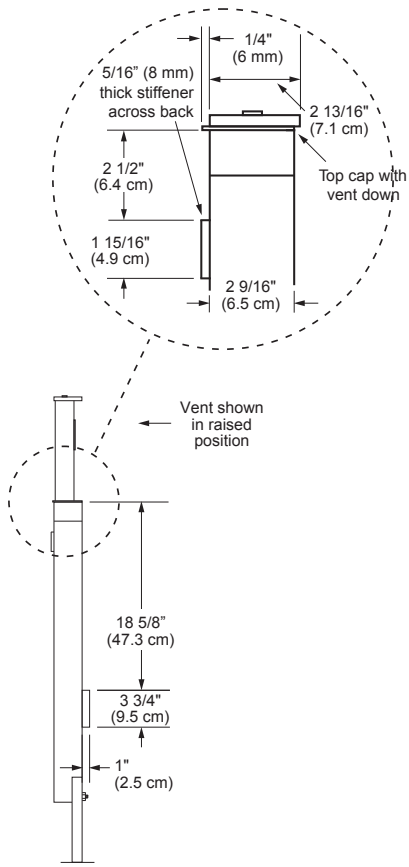
DIMENSIONS

APPLIANCE DIMENSIONS (WIDTH) (IN.)	48"
UPPER CABINET CUTOUT (W) (IN.)	48"

WARRANTY

LIMITED, PARTS AND LABOR	2 YEARS
--------------------------	---------

dacor 48-INCH DOWNDRAFT



APPLIANCE DIMENSIONS

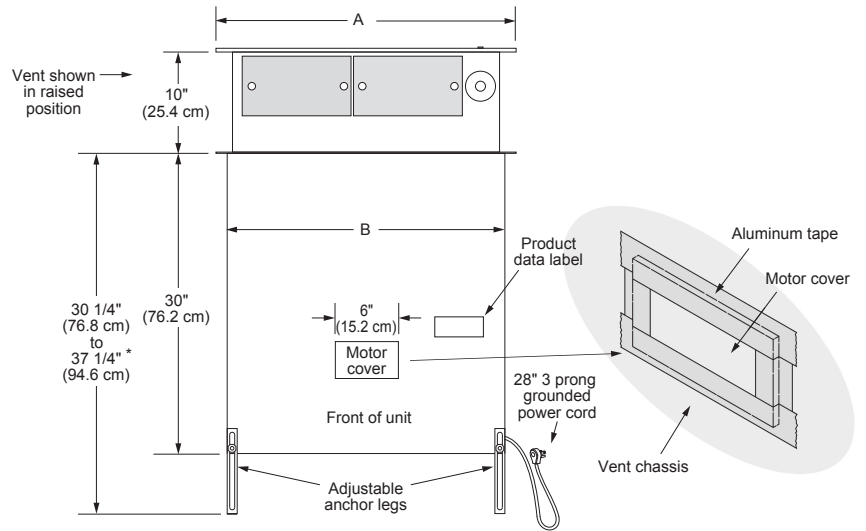
MRV48-ERS/M

A - TOP-CAP WIDTH

48" (121.9 CM)

B - CHASSIS WIDTH

43 3/8" (110.2 CM)



APPLIANCE DIMENSIONS

MRV48S/M

A - TOP-CAP WIDTH

48" (121.9 CM)

B - CHASSIS WIDTH

43 3/8" (110.2 CM)

