

# 36-Inch Refrigerator Column

**\$8,499**



**DRR36980LAP/DA** - Panel Ready, Left Hinge  
**DRR36980RAP/DA** - Panel Ready, Right Hinge

## Features & Benefits

- SteelCool™ full stainless steel interior
- iQ RemoteView™ cameras
- LED 3D Lighting
- Hidden touch control panels with SmartThings Wi-Fi connectivity
- Push-To-Open door
- FreshZone™ Drawer
- 15-year warranty on digital inverter compressor
- Internal water dispenser
- R600a refrigerant
- Panel ready

## Controls

<b>CONTROL TYPE</b>	Easy Reach Hidden Glass Touch
<b>WI-FI + SMARTTHINGS</b>	Yes
<b>SABBATH MODE</b>	Yes

## Features

<b>TOTAL CAPACITY (CU. FT.)</b>	21.6
<b>PUSH-TO-OPEN</b>	Yes
<b>WATER DISPENSER</b>	Internal Water Dispenser
<b>IQ REMOTEVIEW™ CAMERA</b>	Yes
<b>DEODORIZING FILTER</b>	Yes
<b>LED LIGHTING</b>	3D Lighting
<b>INTERIOR MATERIAL</b>	SteelCool™ (Full Stainless Steel Walls)
<b>DIGITAL INVERTER COMPRESSOR</b>	Yes
<b>REFRIGERANT</b>	R600a
<b>CRISPER DRAWERS</b>	2
<b>DOOR BINS</b>	4

## Features

<b>SHELVES</b>	4
<b>DOOR ALARM</b>	Yes

## Refrigerator

<b>REFRIGERATOR CAPACITY (CU. FT.)</b>	21.6
<b>REFRIGERATOR TEMPERATURE</b>	34°F to 44°F
<b>FRESHZONE™ DRAWER TEMPERATURE</b>	29°F, 33°F, 37°F
<b>DEDICATED EVAPORATOR &amp; COMPRESSOR SYSTEM</b>	Yes
<b>POWER COOL</b>	Yes
<b>FRESHZONE™ DRAWER</b>	Yes

## Weights & Dimensions

<b>NET WEIGHT (LBS.)</b>	567
<b>SHIPPING WEIGHT (LBS.)</b>	608
<b>PRODUCT DIMENSIONS (W X H X D IN INCHES)</b>	35 ¾ x 83 ¾ x 25
<b>FLUSH CUTOUT REQUIRED (W X H X D IN INCHES)</b>	36 x 84 x 25

## Technical Details

<b>ELECTRICAL REQUIREMENT</b>	115V, 60 Hz, 15A
-------------------------------	------------------

## Warranty

<b>FULL COVERAGE</b>	2 Years
<b>SEALED SYSTEM, PARTS AND LABOR</b>	6 Years
<b>SEALED SYSTEM, PARTS ONLY</b>	12 Years
<b>COMPRESSOR, PARTS ONLY</b>	15 Years

## Accessories (Optional)

Please see page 12 of Reference Guide for a full list of accessories.

<b>RAC36AMLHRS/DA</b>	36" Panel Kit, Contemporary, Silver Stainless, Left	\$999
<b>RAC36AMRHSR/DA</b>	36" Panel Kit, Contemporary, Silver Stainless, Right	\$999
<b>RAC36AMLHMS/DA</b>	36" Panel Kit, Contemporary, Graphite Stainless, Left	\$1,199
<b>RAC36AMRHMS/DA</b>	36" Panel Kit, Contemporary, Graphite Stainless, Right	\$1,199
<b>RACOOWFAAAA/DA</b>	Water Filter for Refrigeration	\$99
<b>RACOODFAAAA/DA</b>	Air Filter for Refrigeration DRF/DRR/DRW, Set of 6	\$129
<b>RACOOTCAAAA</b>	Install Kit for Triple Built-In Refrigeration	\$99
<b>RACOCPAAAA/DA</b>	Install Kit to Pair Built-In Refrigeration	\$249

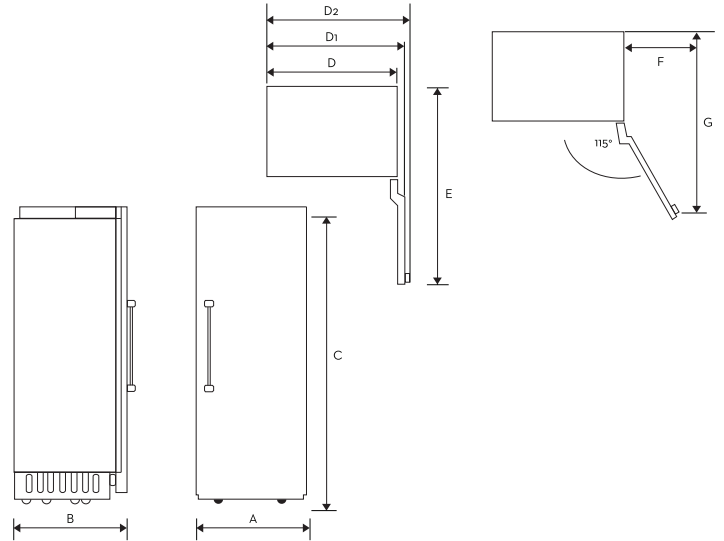
# 36-Inch Refrigerator Column

**\$8,499**



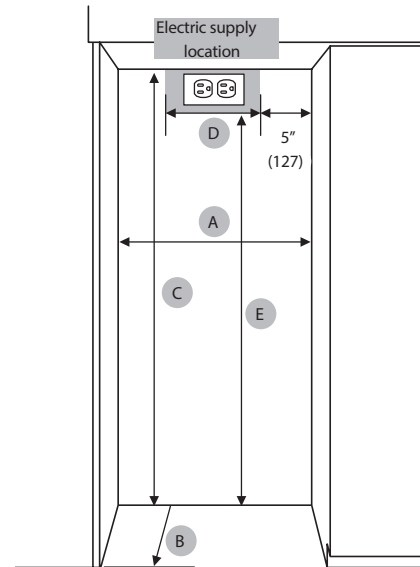
## Product Dimensions

<b>A - WIDTH (IN/MM)</b>	35 3/4 (908 MM)
<b>B - WITH PANEL (IN/MM)</b>	25 (635 MM)
<b>C - HEIGHT (IN/MM)</b>	83 3/8 (2118 MM)
<b>D - (IN/MM)</b>	35 5/8 (905 MM)
<b>D1 - WITH PANEL (IN/MM)</b>	36 7/8 (937 MM)
<b>D2 - WITH MODERNIST HANDLE (IN/MM)</b>	38 3/4 (985 MM)
<b>E - (IN/MM)</b>	62 7/8 (1597 MM)
<b>F - (IN/MM)</b>	20 9/16 (496 MM)
<b>G - (IN/MM)</b>	61 5/16 (1556 MM)



## Installation Cutout Dimensions

<b>A - WIDTH (IN/MM)</b>	36 (914 MM)
<b>B - DEPTH (IN/MM)</b>	25 (635 MM)
<b>C - HEIGHT (IN/MM)</b>	84 (2134 MM)
<b>D - (IN/MM)</b>	26 (660 MM)
<b>E - (IN/MM)</b>	80 (2032 MM)



## Water Supply Connection Requirements

<b>A - (IN/MM)</b>	9 (228 MM)
--------------------	------------

