

36-Inch French Door Refrigerator

\$7,499

dacor



DRF365300AP/DA - Panel Ready

Features & Benefits

- Metal Cooling™ stainless steel back interior
- LED 3D Lighting™
- FreshZone™ drawer
- Ice maker with crescent ice
- 15 year warranty on digital inverter compressor
- Hidden touch control panels with SmartThings Wi-Fi control
- Internal water dispenser
- R600a refrigerant
- Panel-ready

Controls

CONTROL TYPE	Easy Reach Hidden Glass Touch
WI-FI + SMARTTHINGS	Yes
SABBATH MODE	Yes

Features

TOTAL CAPACITY (CU. FT.)	21.3
PUSH-TO-OPEN™	No
WATER DISPENSER	Internal Water Dispenser
ICE MAKER	Standard Ice
IQ REMOTEVIEW™ CAMERA	No
DEODORIZING FILTER	Yes
LED LIGHTING	3D Lighting™
INTERIOR MATERIAL	Metal Cooling™ (stainless steel back wall)
DIGITAL INVERTER COMPRESSOR	Yes

Features

REFRIGERANT	R600a
CRISPER DRAWERS	2
FREEZER DRAWERS	2
DOOR BINS	6
SHELVES	2 x Full Width, 2 x Adjustable
DOOR ALARM	Yes

Refrigerator

REFRIGERATOR CAPACITY (CU. FT.)	14.5
REFRIGERATOR TEMPERATURE	34°F to 44°F
FRESHZONE™ DRAWER TEMPERATURE	29°F, 33°F, 37°F
POWER COOL	Yes
FRESHZONE™ DRAWER	Yes

Freezer

FREEZER CAPACITY (CU. FT.)	6.8
FREEZER TEMPERATURE	-8°F to 5°F
POWER FREEZE	Yes

Weights & Dimensions

NET WEIGHT (LBS.)	518
SHIPPING WEIGHT (LBS.)	601
PRODUCT DIMENSIONS (W X H X D IN INCHES)	35 ¾ x 83 ¾ x 25
FLUSH CUTOUT REQUIRED (W X H X D IN INCHES)	36 x 84 x 25

Technical Details

ELECTRICAL REQUIREMENT	115V, 60 Hz, 15A
-------------------------------	------------------

Warranty

FULL COVERAGE	2 Years
SEALED SYSTEM, PARTS AND LABOR	6 Years
SEALED SYSTEM, PARTS ONLY	12 Years
COMPRESSOR, PARTS ONLY	15 Years

Accessories (Optional)

RAF36AHAASR/DA	36" 3-Door Built-In French Door Refrigerator Panel Kit, Professional, Silver Stainless	\$1,499
RAF36ACAASR/DA	36" 3-Door Built-In French Door Refrigerator Panel Kit, Transitional, Silver Stainless	\$1,499
RAF36AMAASR/DA	36" 3-Door Built-In French Door Refrigerator Panel Kit, Contemporary, Silver Stainless	\$1,499
RAF36AMAAMS/DA	36" 3-Door Built-In French Door Refrigerator Panel Kit, Contemporary, Graphite Stainless	\$1,799
RACOOWFAAAA/DA	Water Filter for Refrigeration	\$99
RACOODFAAAA/DA	Air Filter for Refrigeration DRF/DRR/DRW, Set of 6	\$129

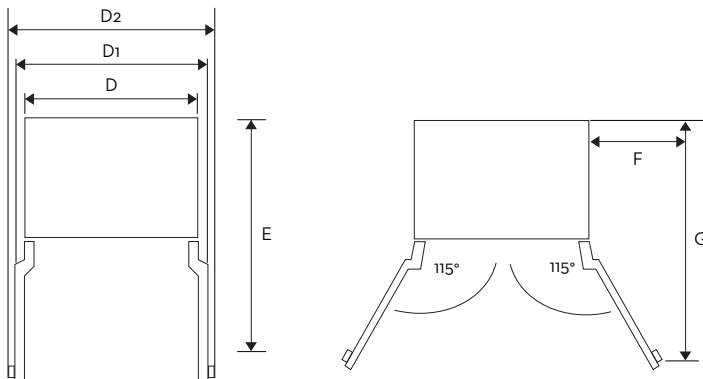
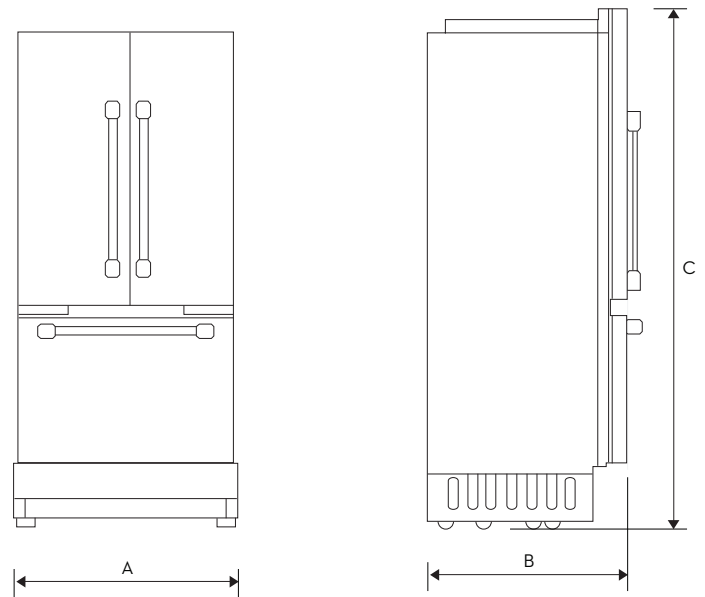
36-Inch French Door Refrigerator

\$7,499

dacor

Appliance Dimensions

A - WIDTH (IN/MM)	35 ¾ (908 MM)
B - WITH PANEL (IN/MM)	25 (635 MM)
C - HEIGHT (IN/MM)	83 ⅝ (2118 MM)
D - (IN/MM)	35 ⅝ (905 MM)
D1 - WITH PANEL (IN/MM)	38 ⅙ (967 MM)
D2 - WITH MODERNIST HANDLE (IN/MM)	43 ⅞ (1107 MM)
E - (IN/MM)	44 ⅞ (1140 MM)
F - (IN/MM)	20 ⅞ (496 MM)
G - (IN/MM)	44 (1118 MM)



Installation Cutout Dimensions

A - WIDTH (IN/MM)	36 (914 MM)
B - DEPTH (IN/MM)	25 (635 MM)
C - HEIGHT (IN/MM)	84 (2134 MM)
D - (IN/MM)	26 (660 MM)
E - (IN/MM)	80 (2032 MM)

