

36-Inch French Door Refrigerator

\$7,499



DRF365300AP/DA - Panel Ready

Features & Benefits

- Metal Cooling™ stainless steel back interior
- LED 3D Lighting
- FreshZone™ drawer
- Icemaker with crescent ice
- 15-year warranty on digital inverter compressor
- Hidden touch control panels with SmartThings Wi-Fi control
- Internal water dispenser
- R600a refrigerant
- Panel ready

Controls

| | |
|----------------------------|-------------------------------|
| CONTROL TYPE | Easy Reach Hidden Glass Touch |
| WI-FI + SMARTTHINGS | Yes |
| SABBATH MODE | Yes |

Features

| | |
|------------------------------------|---|
| TOTAL CAPACITY (CU. FT.) | 21.3 |
| PUSH-TO-OPEN | No |
| WATER DISPENSER | Internal Water Dispenser |
| ICEMAKER | Standard Ice |
| IQ REMOTEVIEW™ CAMERA | No |
| DEODORIZING FILTER | Yes |
| LED LIGHTING | 3D Lighting |
| INTERIOR MATERIAL | Metal Cooling™ (Stainless Steel Back Wall) |
| DIGITAL INVERTER COMPRESSOR | Yes |

Features

| | |
|------------------------|--------------------------------|
| REFRIGERANT | R600a |
| CRISPER DRAWERS | 2 |
| FREEZER DRAWERS | 2 |
| DOOR BINS | 6 |
| SHELVES | 2 x Full Width, 2 x Adjustable |
| DOOR ALARM | Yes |

Refrigerator

| | |
|--|------------------|
| REFRIGERATOR CAPACITY (CU. FT.) | 14.5 |
| REFRIGERATOR TEMPERATURE | 34°F to 44°F |
| FRESHZONE™ DRAWER TEMPERATURE | 29°F, 33°F, 37°F |
| POWER COOL | Yes |
| FRESHZONE™ DRAWER | Yes |

Freezer

| | |
|-----------------------------------|-------------|
| FREEZER CAPACITY (CU. FT.) | 6.8 |
| FREEZER TEMPERATURE | -8°F to 5°F |
| POWER FREEZE | Yes |

Weights & Dimensions

| | |
|--|------------------|
| NET WEIGHT (LBS.) | 518 |
| SHIPPING WEIGHT (LBS.) | 601 |
| PRODUCT DIMENSIONS (W X H X D IN INCHES) | 35 ¾ x 83 ¾ x 25 |
| FLUSH CUTOUT REQUIRED (W X H X D IN INCHES) | 36 x 84 x 25 |

Technical Details

| | |
|-------------------------------|------------------|
| ELECTRICAL REQUIREMENT | 115V, 60 Hz, 15A |
|-------------------------------|------------------|

Warranty

| | |
|---------------------------------------|----------|
| FULL COVERAGE | 2 Years |
| SEALED SYSTEM, PARTS AND LABOR | 6 Years |
| SEALED SYSTEM, PARTS ONLY | 12 Years |
| COMPRESSOR, PARTS ONLY | 15 Years |

Accessories (Optional)

Please see page 20 of Reference Guide for a full list of accessories.

| | | |
|-----------------------|--|---------|
| RAF36AMAASR/DA | 36" 3-Door Built-In French Door Refrigerator Panel Kit, Contemporary, Silver Stainless | \$1,499 |
| RAF36AMAAMS/DA | 36" 3-Door Built-In French Door Refrigerator Panel Kit, Contemporary, Graphite Stainless | \$1,799 |
| RAC00WFAAAA/DA | Water Filter for Refrigeration | \$99 |
| RAC00DFAAAA/DA | Air Filter for Refrigeration DRF/DRR/DRW, Set of 6 | \$129 |

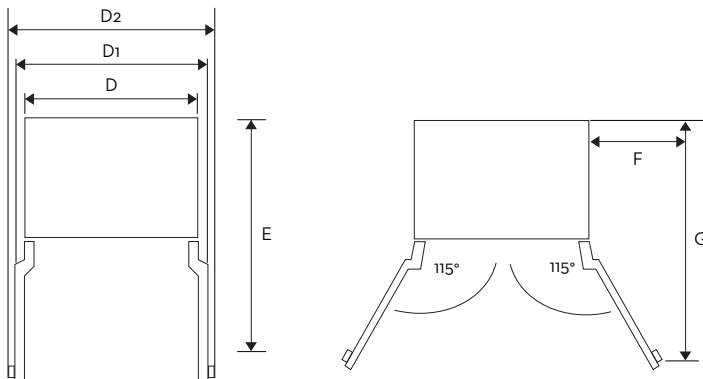
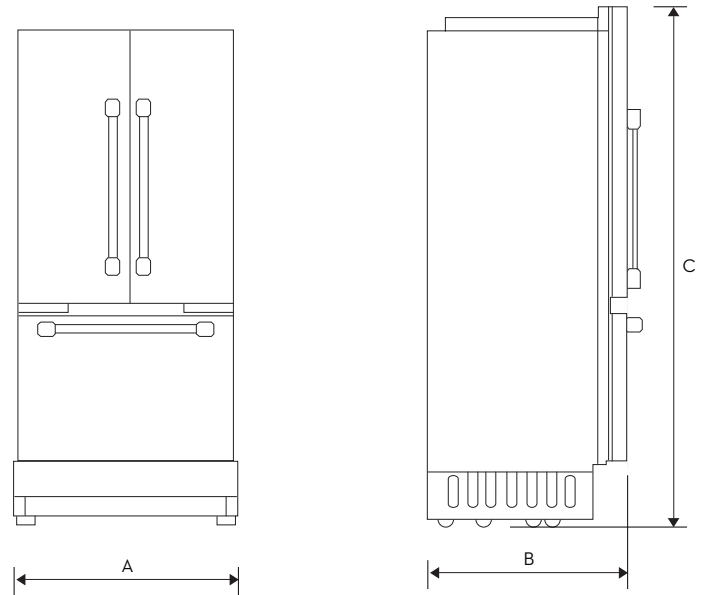
36-Inch French Door Refrigerator

\$7,499

dacor

Product Dimensions

| | |
|---|----------------|
| A - WIDTH (IN/MM) | 35 ¾ (908 MM) |
| B - WITH PANEL (IN/MM) | 25 (635 MM) |
| C - HEIGHT (IN/MM) | 83 ⅝ (2118 MM) |
| D - (IN/MM) | 35 ⅝ (905 MM) |
| D1 - WITH PANEL (IN/MM) | 38 ⅙ (967 MM) |
| D2 - WITH MODERNIST HANDLE (IN/MM) | 43 ⅞ (1107 MM) |
| E - (IN/MM) | 44 ⅞ (1140 MM) |
| F - (IN/MM) | 20 ⅞ (496 MM) |
| G - (IN/MM) | 44 (1118 MM) |



Installation Cutout Dimensions

| | |
|---------------------------|--------------|
| A - WIDTH (IN/MM) | 36 (914 MM) |
| B - DEPTH (IN/MM) | 25 (635 MM) |
| C - HEIGHT (IN/MM) | 84 (2134 MM) |
| D - (IN/MM) | 26 (660 MM) |
| E - (IN/MM) | 80 (2032 MM) |

