

# 36-Inch Counter Depth Refrigerator with Dual Reveal Door

**dacor**

**\$4,199 - \$4,399**



**DRF36C700SR/DA** - Silver Stainless \$4,199  
**DRF36C700MT/DA** - Graphite Stainless \$4,399

## Features & Benefits

- Dual Reveal door
- FlexZone convertible compartment
- Dual ice maker with Ice Bites and cubed ice
- Beverage Center with interior water pitcher and water dispenser
- Crisper+ and Flex Crisper
- Triple cooling system with 3 evaporators
- Metal Cooling™ stainless steel back interior
- Hidden LCD display control panel with SmartThings Wi-Fi control
- Dedicated wine rack
- 15 year warranty on digital inverter compressor
- LED lighting
- R600a refrigerant

## Controls

<b>CONTROL TYPE</b>	Digital Interior
<b>WI-FI + SMARTTHINGS</b>	Yes
<b>SABBATH MODE</b>	Yes

## Features

<b>TOTAL CAPACITY (CU. FT.)</b>	22.8
<b>FLEXZONE CONVERTIBLE COMPARTMENT</b>	Yes
<b>FLEXZONE CONVERTIBLE COMPARTMENT TEMPERATURE</b>	-8°F to 39°F
<b>PUSH-TO-OPEN™</b>	No
<b>WATER DISPENSER</b>	Interior Left Door Beverage Center

## Features

<b>ICE MAKER</b>	Cubed Ice and Ice Bites
<b>IQ REMOTEVIEW™ CAMERA</b>	No
<b>DEODORIZING FILTER</b>	Yes
<b>LED LIGHTING</b>	Yes
<b>INTERIOR MATERIAL</b>	Metal Cooling™ (stainless steel back wall)
<b>DIGITAL INVERTER COMPRESSOR</b>	Yes
<b>REFRIGERANT</b>	R600a
<b>CRISPER DRAWERS</b>	Flex Crisper, Crisper+
<b>FREEZER DRAWERS</b>	2
<b>DOOR BINS</b>	6 (refrigerator), 6 (freezer)
<b>SHELVES</b>	4 (refrigerator), 4 (freezer)
<b>DOOR ALARM</b>	Yes

## Refrigerator

<b>REFRIGERATOR CAPACITY (CU. FT.)</b>	14
<b>REFRIGERATOR TEMPERATURE</b>	34°F to 44°F
<b>POWER COOL</b>	Yes
<b>FLEX CRISPER DRAWER</b>	Yes
<b>CRISPER+ DRAWER</b>	Yes

## Freezer

<b>FREEZER CAPACITY (CU. FT.)</b>	8.8
<b>FREEZER TEMPERATURE</b>	-8°F to 5°F
<b>POWER FREEZE</b>	Yes

## Weights & Dimensions

<b>NET WEIGHT (LBS.)</b>	337
<b>SHIPPING WEIGHT (LBS.)</b>	359
<b>PRODUCT DIMENSIONS (W X H X D IN INCHES)</b>	35 7/8 x 71 7/8 x 28 1/2

## Technical Details

<b>ELECTRICAL REQUIREMENT</b>	115 - 120V, 60 Hz, 10A
-------------------------------	------------------------

## Warranty

<b>FULL COVERAGE</b>	2 Years
<b>SEALED SYSTEM, PARTS AND LABOR</b>	6 Years
<b>SEALED SYSTEM, PARTS ONLY</b>	12 Years
<b>COMPRESSOR, PARTS ONLY</b>	15 Years

## Accessories (Optional)

<b>RACOOWFAAAA/DA</b>	Water Filter for Refrigeration	\$99
<b>RACOODFAAAA/DA</b>	Air Filter for Refrigeration DRF/DRR/DRW, Set of 6	\$129

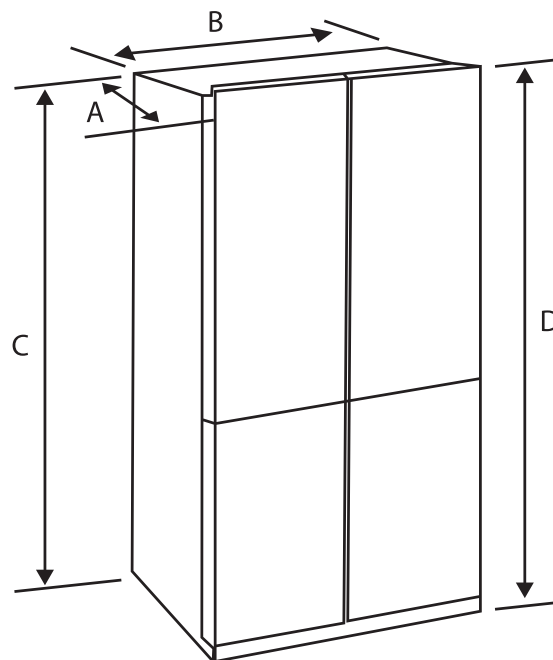
# 36-Inch Counter Depth Refrigerator with Dual Reveal Door

**dacor**

**\$4,199 - \$4,399**

## Appliance Dimensions

<b>A - DEPTH (IN/MM)</b>	28 ½ (723 MM)
<b>B - WIDTH (IN/MM)</b>	35 ⅞ (912 MM)
<b>C - HEIGHT WITHOUT HINGE (IN/MM)</b>	70 ¾ (1797 MM)
<b>D - OVERALL HEIGHT (IN/MM)</b>	71 ⅞ (1825 MM)



## Installation Cutout Dimensions

<b>O1 - (IN/MM)</b>	More than 2 (50 MM) recommended
<b>O2</b>	125°
<b>O3 - (IN/MM)</b>	58 (1472 MM)
<b>O4 - (IN/MM)</b>	11 ⅞ (282 MM)
<b>O5 - (IN/MM)</b>	24 (610 MM)
<b>O6 - (IN/MM)</b>	1 ⅞ (47 MM)
<b>O7 - (IN/MM)</b>	43 (1093 MM)

