

dacor[®]

User Manual

Built-In Wine Cellar

DRW24980RAP/LAP

Contents

Important Information	5
Before You Begin	5
Safety Information	6
Important Safety Symbols and Precautions:	7
State of California Proposition 65 Warning (US only)	7
Severe Warning Signs for Transportation and Site	7
Critical Installation Warnings	8
Installation Cautions	10
Critical Usage Warnings	11
Usage Cautions	14
Cleaning Cautions	15
Critical Disposal Warnings	16
Intended Use	16
What's Included	17
Inside Parts, Storage, and Shelving	17
Operations	19
Control Panel	19
SmartThings	24
Special Features	27
Wine Rack Assemble & Disassemble	32
Replacement	36
Care and Maintenance	38
Cleaning	38
Troubleshooting	39
General	39
Abnormal Sounds	40
Auto Door Open (ADO)	42
SmartThings	43

Warranty and Service	44
Customer Service	44
Warranty	44
Regulatory Notice	48
FCC Notice	48
IC Notice	49
Open Source Announcement	50



To Our Valued Customer:

Congratulations on your purchase of the very latest in Dacor® products! Our unique combination of features, style and performance make us a great addition to your home.

In order to familiarize yourself with the controls, functions and full potential of your new Dacor appliance, read this use and care manual thoroughly, beginning with the **Important Safety Instructions** section.

All Dacor appliances are designed and manufactured with quality and pride, while working within the framework of our company value. Should you ever experience a problem with your product, please first check the Troubleshooting section of this manual for guidance. It provides useful suggestions and remedies prior to calling for service.

Valuable customer input helps us to continuously improve our products and services, so please feel free to contact our Customer Assurance Team for assistance with any of your product support needs.

Dacor Customer Assurance Team
14425 Clark Avenue
City of Industry, CA 91745

Telephone: 833-35-ELITE (833-353-5483) USA, Canada

Fax: (626) 403-3130

Hours of Operation: Monday through Friday 5:00 A.M. to 5:00 P.M. Pacific Time

Website: www.dacor.com/customer-care/contact-us

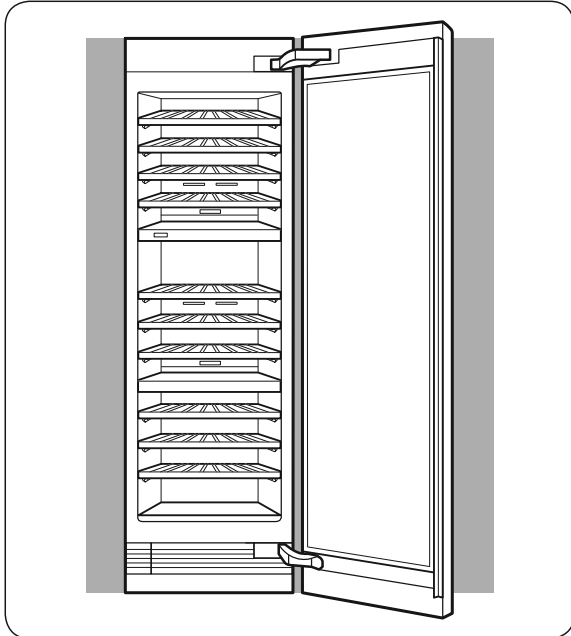
Thank you for choosing Dacor for your home. We are a company built by families for families, and we are dedicated to serving yours. We are confident that your new Dacor product will deliver a high level of performance and enjoyment for many years to come.

Sincerely,

The Dacor Customer Assurance Team

Important Information

Before You Begin



- The overall design and/or accessories may differ with the model.

Installer

- Leave these Use and Care instructions with the appliance.

Consumer

- Please read this Use and Care Manual completely before using your wine cellar. Save it for future reference.

Retain your sales receipt or canceled check. Proof of original purchase date is required for warranty service.

Have the complete model and serial number identification of your appliance ready.

These numbers are found on the label located inside of the wine cellar wall. Record these numbers below for easy access.

Model Number	
Serial Number	
Date of Purchase	

Since we continually improve the quality and performance of our products, we may make changes to the appliance without updating this manual. Visit www.dacor.com to download the latest version of this manual.

Dacor Assurance Team

Phone: 833-35-ELITE (833-353-5483) USA, Canada

Monday through Friday 5:00 A.M. to 5:00 P.M. Pacific Time

Website: www.dacor.com/customer-care/contact-us

Safety Information

- Before using your new Dacor wine cellar, please read this manual thoroughly to ensure that you know how to operate the features and functions that your new appliance offers safely and efficiently.
- This appliance is not intended for use by persons (including children) with reduced physical, sensory or mental capabilities, or lack of experience and knowledge, unless they have been given supervision or instruction concerning use of the appliance by a person responsible for their safety. Children should be supervised to ensure that they do not play with the appliance.
- Because the following instructions cover various models, the characteristics of your wine cellar may differ slightly from the wine cellar described in this manual.
- It is hazardous for anyone other than an Authorized Service Person to service this appliance.
- Refrigerant squirting out of the pipes could ignite or cause an eye injury. When refrigerant leaks from the pipe, avoid any naked flames and move anything flammable away from the product and ventilate the room immediately.
 - Failing to do so may result in fire or explosion.

WARNING

- R-600a is used as a refrigerant. This product contains flammable gas (Refrigerant R-600a), contact your local authority in regard to safe disposal of this product.
- In order to avoid the creation of a flammable gas-air mixture if a leak in the refrigerating circuit occurs, the size of the room in which the appliance may be sited depends on the amount of refrigerant used. The room must be 35.3 ft³ in size for every 8g of R-600a refrigerant inside the appliance.
- The installation location should not be exposed to direct sunlight and not placed near any electric appliance or heat source, e.g. stove, oven, cooktop, radiator, etc.
- If you use two products side by side, for safety reason, be sure to use certified products in explosive gas atmospheres.
- Never start up an appliance showing any signs of damage. If in doubt, consult your dealer.



Warning; Risk of fire / flammable materials

Important Safety Symbols and Precautions:

Please follow all safety instructions in this manual. This manual uses the following safety symbols.

WARNING

Hazards or unsafe practices that may result in **severe personal injury, property damage, and/or death.**

CAUTION

Hazards or unsafe practices that may result in **severe personal injury and/or property damage.**

NOTE

Useful information that helps users understand or benefit from the wine cellar.

These warning signs are here to prevent injury to you and others.

Please follow them carefully.

After reading this section, keep it in a safe place for future reference.

State of California Proposition 65 Warning (US only)

WARNING: Cancer and Reproductive Harm - www.P65Warnings.ca.gov.

Severe Warning Signs for Transportation and Site

WARNING

- When transporting and installing the appliance, care should be taken to ensure that no parts of the refrigerating circuit are damaged.
 - Refrigerant leaking from the pipe work could ignite or cause an eye injury. If a leak is detected, avoid any naked flames or potential sources of ignition and air the room in which the appliance is standing for several minutes.
 - This appliance contains a small amount of isobutane refrigerant (R-600a), a natural gas with high environmental compatibility but also flammable.

Safety Information

Critical Installation Warnings

WARNING

- Do not install the wine cellar in a damp location or place where it may come in contact with water.
 - Deteriorated insulation on electrical parts may cause an electric shock or fire.
- Do not place this wine cellar in direct sunlight or expose it to heat from stoves, room heaters, or other appliances.
- Do not plug several appliances into the same power strip. The wine cellar should always be plugged into its own individual electrical outlet which has a voltage rating that matches the voltage listed on the wine cellar's rating plate.
 - This provides the best performance and also prevents overloading of house wiring circuits, which could overheat the wires and cause a fire hazard.
- If the wall socket is loose, do not insert the power plug.
 - There is a risk of electric shock or fire.
- Do not use a power cord that has cracks or abrasion damage along its length or at either end.
- Do not bend the power cord excessively or place heavy objects on it.
- Do not pull or excessively bend the power cord.
- Do not twist or tie the power cord.
- Do not hook the power cord over a metal object, insert the power cord between objects, or push the power cord into the space behind the appliance.
- Never unplug your wine cellar by pulling on the power cord. Always grip the plug firmly and pull straight out from the outlet.
 - Damage to the cord may cause a short-circuit, fire, and/or electric shock.
- Do not store explosive substances such as aerosol cans with a flammable propellant in this appliance.
- Do not install this appliance near flammable material.
- Do not install this appliance in a location where gas may leak.
 - This may result in an electric shock or fire.
- This wine cellar must be properly located and installed in accordance with the instructions in this manual before you use it.
- Connect the power plug in the proper position with the cord hanging down.
 - If you connect the power plug upside down, the wire can get cut off and cause a fire or electric shock.
- Make sure that the power plug is not crushed or damaged by the back of the wine cellar.

-
- Keep the packing materials out of reach of children.
 - There is a risk of death from suffocation if a child puts the packing materials on his or her head.
 - The appliance must be positioned so that the plug is accessible after installation.
 - Failing to do so may result in an electric shock or fire due to electric leakage.
 - Do not install this appliance in a humid, oily or dusty location, or in a location exposed to direct sunlight or to water (rain drops).
 - If large amounts of dust or water enter the wine cellar, turn off the power switch and contact your Dacor service center.
 - Otherwise there is a risk of fire.
 - You need to remove all the protective plastic film before you initially plug the product in.
 - Children should be supervised to ensure that they do not play with the snap rings used for door adjustment.
 - There is risk of death by suffocation if a child swallows a snap ring. Keep the snap rings out of children's reach.
 - The wine cellar must be safely grounded.
 - Always make sure that you have grounded the wine cellar before attempting to investigate or repair any part of the appliance. Power leakages can cause severe electric shock.
 - Never use gas pipes, telephone lines, or other potential lightning attractors as an electrical ground.
 - You must ground the wine cellar to prevent any power leakages or electric shocks caused by current leakage from the wine cellar.
 - This may result in an electric shock, fire, explosion, or problems with the product.
 - Improper use of the grounding plug can result in a risk of electric shock. If it is necessary to use an extension cord, use only a 3-wire extension cord that has a 3-blade grounding plug and a 3-slot receptacle that will accept the plug on the appliance. The marked rating of the extension cord should be AC 115-120 V, 10 A, or more. If a grounding adapter is used, make sure the receptacle box is fully grounded.
 - Plug the power plug into the wall socket firmly. Do not use a damaged power plug, damaged power cord, or loose wall socket.
 - This may result in an electric shock or fire.
 - If the power cord is damaged, have it replaced immediately by the manufacturer or one of its service agents.

Safety Information

- Only a qualified technician or service company should be allowed to change the fuse in the wine cellar.
 - Failing to do so may result in an electric shock or personal injury.
- The wall socket must be easily accessible so that the appliance can be quickly disconnected from the wall socket in an emergency.
- It must be outside the area of the rear of the appliance.
- When positioning the appliance, ensure the power cord is not trapped or damaged.
- Do not locate multiple socket-outlets or power supplies at the rear of the appliance.
- Keep ventilation openings, in the appliance enclosure or in the built-in structure, clear of obstruction.

Installation Cautions

CAUTION

- Allow sufficient space around the wine cellar and install it on a flat surface.
 - Keep the ventilation space in the appliance enclosure or mounting structure clear of obstructions.
- After you have installed the wine cellar and turned it on, allow the appliance to stand for 2 hours before loading it with wine.
- It is strongly recommended you have a qualified technician or service company install the wine cellar.
 - Failing to do so may result in an electric shock, fire, explosion, problems with the product, or injury.

Critical Usage Warnings

WARNING

- Do not insert the power plug into a wall socket with wet hands.
 - This may result in an electric shock.
- Do not store articles on the top of the appliance.
 - When you open or close the door, the articles may fall and cause personal injury and/or material damage.
- Do not insert hands, feet or metal objects (such as utensils, etc.) into the bottom or the back of the wine cellar.
 - This may result in an electric shock or injury.
 - Any sharp edges may cause a personal injury.
- Do not put a container filled with water on the wine cellar.
 - If spilled, there is a risk of fire or electric shock.
- Do not keep volatile, flammable objects or substances (benzene, thinner, propane gas, alcohol, ether, LP gas, and other such products) in the wine cellar.
 - This wine cellar is for storing wine only.
 - This may result in fire or explosion.
- Children should be supervised to ensure that they do not play with the appliance.
 - Keep fingers out of “pinch point” areas. Clearances between the doors and cabinet are necessarily small. Be careful when you open the doors if children are in the area.
- Do not let children hang on the door. A serious injury may occur.
- Do not let children go inside the wine cellar. They could become trapped.
- Do not insert your hands into the area under the appliance.
 - Any sharp edges may cause personal injury.
- Do not store pharmaceutical products, scientific materials, or temperature sensitive products in the wine cellar.
 - Products that require strict temperature controls must not be stored in the wine cellar.
- Do not place or use electrical appliances inside the wine cellar, unless they are of a type recommended by the manufacturer.
- If you smell smoke, turn off the power switch immediately, and then contact your Dacor service center.
- If large amounts of dust or water enter the wine cellar, disconnect the power plug and contact your Dacor service center.
 - Otherwise there is a risk of fire.
- Do not leave the door of the wine cellar open while the wine cellar is unattended and do not let children enter the wine cellar.
 - It can cause death from suffocation by entrapment or personal injury.

Safety Information

- Do not overfill the wine cellar with wine.
 - When you open the door, an item may fall out and cause personal injury or material damage.
- Do not spray volatile material such as insecticide onto the surface of the appliance.
 - As well as being harmful to humans, it may also result in an electric shock, fire, or problems with the product.
- Do not use or place any substances sensitive to temperature such as flammable sprays, flammable objects, dry ice, medicine, or chemicals near or inside the wine cellar.
- Do not use a hair dryer to dry the inside of the wine cellar. Do not place a lighted candle in the wine cellar to remove bad odors.
 - This may result in an electric shock or fire.
- Do not use mechanical devices or any other means to accelerate the defrosting process, other than those recommended by the manufacturer.
- Do not damage the refrigerant circuit.
- If a gas leak is detected, avoid any naked flames or potential sources of ignition, and air the room in which the appliance is standing for several minutes.
 - Do not touch the appliance or power cord.
 - Do not use a ventilating fan.
 - A spark may result in an explosion or fire.
- Use only the LED lamps provided by the manufacturer or its service agents.
- Do not attempt to repair, disassemble, or modify the wine cellar yourself.
 - Unauthorized modifications can cause safety problems. To reverse an unauthorized modification, we will charge the full cost of parts and labor.
- Do not use any fuse (such as cooper, steel wire, etc.) other than a standard fuse.
- If your wine cellar needs to be repaired or reinstalled, contact your nearest service center.
 - Failing to do so may result in an electric shock, fire, problems with the product, or injury.
- If the interior or exterior LED lamp has gone out, contact your nearest Dacor service center.
- If the wine cellar emits a burning smell or smoke, unplug the wine cellar immediately and contact a Dacor service center.
 - Failing to do so may result in an electric or fire hazards.
- Pull the power plug out of the socket before changing the interior lamps of the wine cellar.
 - Otherwise, there is a risk of electric shock.
- If you experience difficulty changing a non-LED light, contact a Dacor service center.

-
- If the product is equipped with LED lamps, do not disassemble the lamp covers and LED lamps yourself.
 - Contact a Dacor service center.
 - Plug the power plug into the wall socket firmly.
 - Do not use a damaged power plug, damaged power cord, or loose wall socket.
 - This may result in an electric shock or fire.
 - Do not expose the interior accessories, such as wine racks, bottle presenters, and shelf to direct sunlight for long.

Safety Information

Usage Cautions

CAUTION

- To get the best performance from the product:
 - Do not place wine too close to the vents at the rear of the wine cellar as this can obstruct free air circulation in the wine cellar compartment.
- Service warranty and modification.
 - Any changes or modifications performed by a 3rd party on this finished appliance are not covered under Dacor warranty service, nor is Dacor responsible for safety issues that result from 3rd party modifications.
- Do not block the air vents inside the wine cellar.
 - If the air vents are blocked, especially with a plastic bag, the wine cellar can be over cooled.
- If the wine cellar is disconnected from the power supply, you should wait for at least five minutes before plugging it back in.
- If large amounts of water enter the wine cellar, turn off the power switch and contact a Dacor service center.
- Do not strike or apply excessive force to any glass surface.
 - Broken glass may result in a personal injury and/or property damage.
- If the wine cellar is flooded, shut off the power to the wine cellar and contact your nearest Dacor service center.
 - There is a risk of electric shock or fire.

Cleaning Cautions

CAUTION

- Do not spray water directly on the inside or outside the wine cellar.
 - There is a risk of fire or electric shock.
- Do not use a hair dryer to dry the inside of the wine cellar.
- Do not place a lighted candle in the wine cellar to remove bad odors.
 - This may result in an electric shock or fire.
- Do not spray cleaning products directly on the display.
 - Printed letters on the display may come off.
- If any foreign substance such as water has entered the appliance, unplug the power and contact your nearest service center.
 - Failing to do so may result in an electric shock or fire.
- Use a clean, dry cloth to remove any foreign matter or dust from the power plug blades. Do not use a wet or damp cloth when cleaning the plug.
 - Otherwise, there is a risk of fire or electric shock.
- Do not clean the appliance by spraying water directly onto it.
- Do not use benzene, thinner, or Clorox (bleach) to clean the wine cellar.
 - They may damage the surface of the appliance and may cause a fire.
- Before cleaning or performing maintenance, unplug the appliance from the wall socket.
 - Failing to do so may result in an electric shock or fire.

Safety Information

Critical Disposal Warnings

WARNING

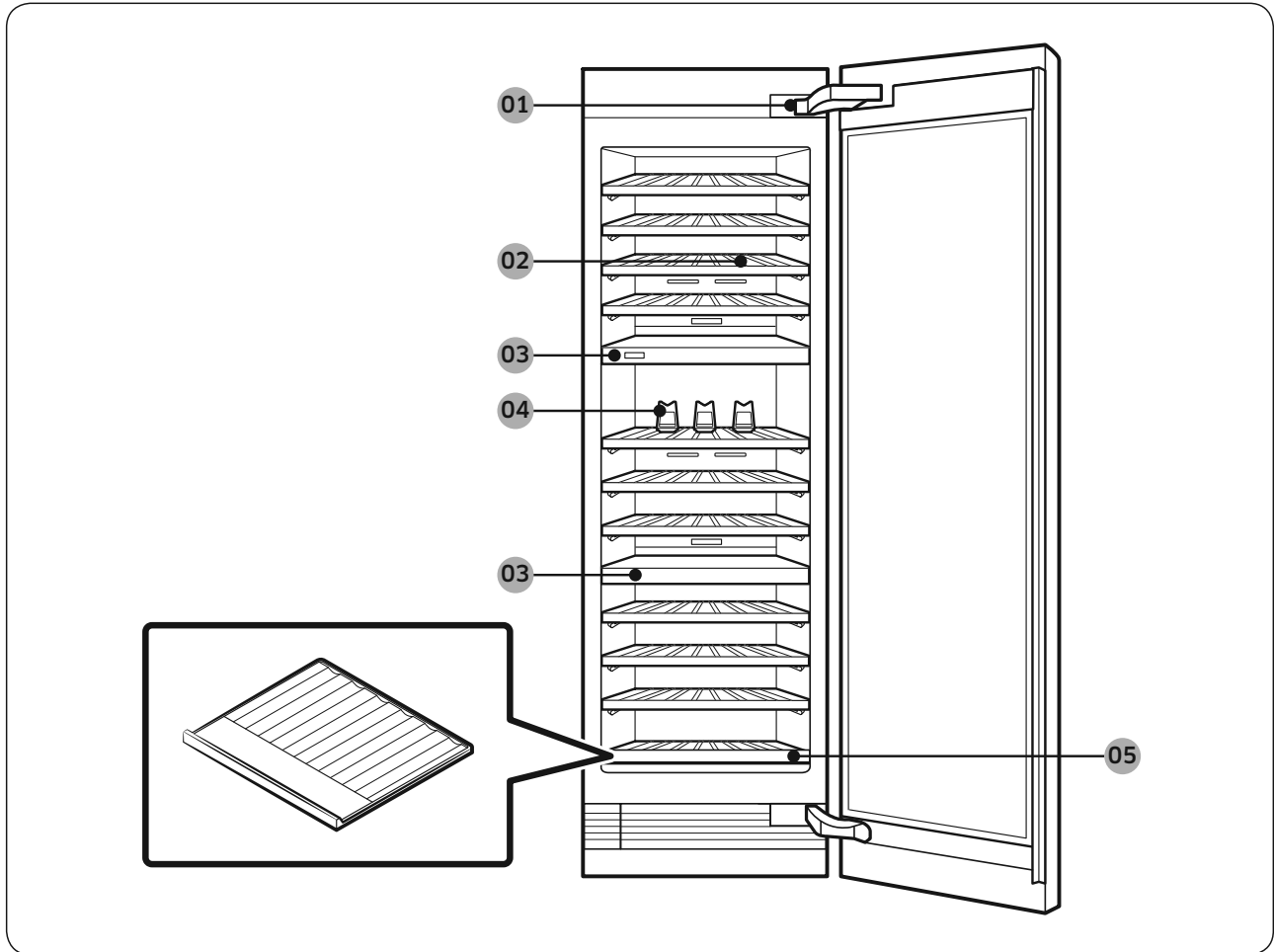
- **DANGER** : Risk of child entrapment. Before you throw away your old wine cellar:
 - Take off the doors and door latch.
 - Leave the shelves in place so that children may not easily climb inside.
 - Children trapped inside a wine cellar can hurt themselves or suffocate to death.
- Please dispose of the packaging material from this product in an environmentally friendly manner.
- Ensure that none of the pipes on the back of the wine cellar are damaged prior to disposal.
- R-600a is used as a refrigerant. This product contains flammable gas (Refrigerant R-600a), contact your local authority in regard to safe disposal of this product.
- Cyclopentane is used in the insulation. The gases in the insulation material require a special disposal procedure. Please contact your local authorities in regard to the environmentally safe disposal of this product.
- Keep all packaging materials well out of the reach of children, as packaging materials can be dangerous to children.
 - If a child places a bag over his or her head, the child could suffocate.

Intended Use

- staff kitchen areas in shops, offices and other working environments;
- farm houses and by clients in hotels, motels and other residential type environments;
- bed and breakfast type environments;
- catering and similar non-retail applications.
- This appliance is intended for use at an elevation of no more than 2000 meters above sea level.

What's Included

Inside Parts, Storage, and Shelving



What's Included

01 Power switch, Auto Door Open switch

02 Wine Racks

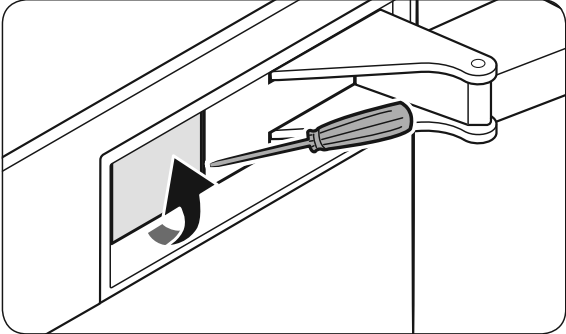
03 Control Panel & Compartment Wall

04 Bottle Presenter

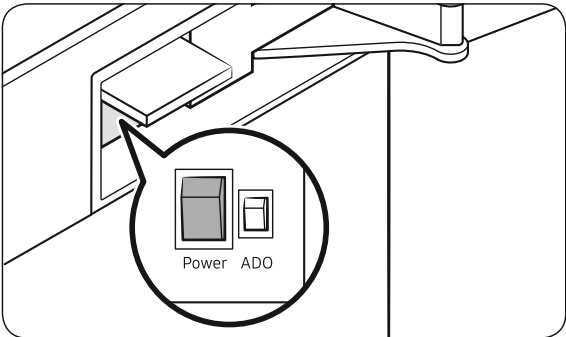
05 Bottom Wine Shelf

What's Included

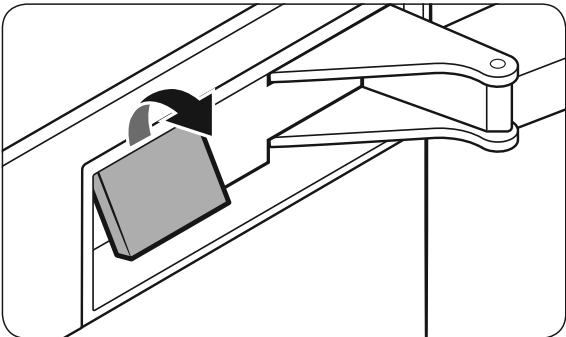
Switch box



- Use a flat head screwdriver to open the switch box cover.



- The black one is the Power switch while the Auto Door Open switch is red next to it.

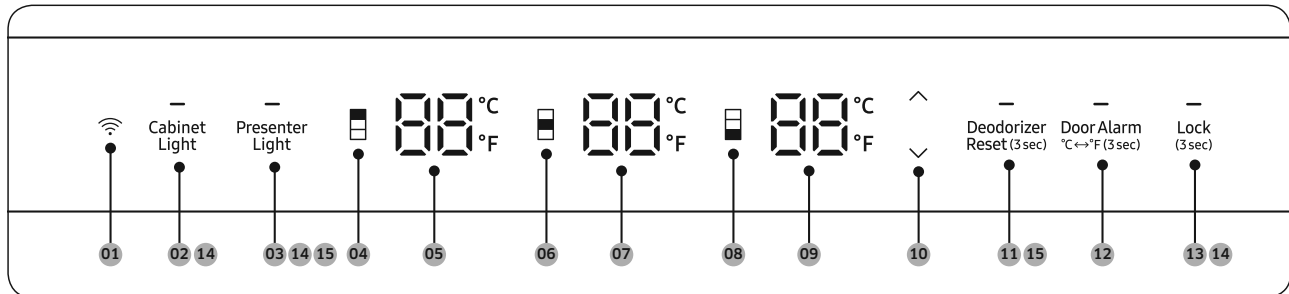


- Close the switch box cover.

What's Included

Operations

Control Panel



01 Network Connection

03 Presenter Light

05 Upper Zone Temp.

07 Middle Zone Temp.

09 Lower Zone Temp.

11 Deodorizer Reset (3 sec)

13 Lock (3 sec)

15 Sabbath Mode

NOTE

- When you change the temperature on the panel, the panel displays the current temperature and the temperature on the display will gradually change according to the internal temperature until it reaches the desired temperature. Note that it will take time for the wine cellar to reach the new temperature. This is normal. You do not need to set the desired temperature just because the display does not show your desired temperature.
- If no button is input for 10 seconds after Lock is deactivated, the display will turn off except for the Lock button, all the zone select buttons, and all the zone temp. displays.
- If the control panel has moisture or liquid on its surface, it may fail. Wipe the moisture or liquid using a dry cloth, and then try again.
- When the door is closed, all the zone select buttons and zone temp. displays turns off, and then the entire display will turn off after 10 minutes.

02 Cabinet Light

04 Upper Zone Select

06 Middle Zone Select

08 Lower Zone Select

10 Temp. Control

12 Door Alarm / °C↔°F (3 sec)

14 Cooling Off

Operations

01 Network Connection

You can control and monitor your wine cellar through the SmartThings app. For more information, see the **SmartThings** section.

NOTE

- Recommended encryption systems include WPA/TKIP and WPA2/AES. Any newer or unstandardized Wi-Fi authentication protocols are not supported.
- Wireless networks may be affected by the surrounding wireless communication environment.
- If your Internet service provider has registered the MAC address of your PC or modem for identification, your Dacor wine cellar may fail to connect to the Internet. If this happens, contact your Internet service provider for technical assistance.
- The firewall settings of your network system may prevent your Dacor wine cellar from accessing the Internet. Contact your Internet service provider for technical assistance. If this symptom continues, contact a local Dacor service center or retailer.
- To configure the wireless access point (AP) settings, see the user manual of the AP.
- Dacor wine cellars support both Wi-Fi 2.4 GHz with IEEE 802.11 b/g/n and Soft-AP protocols (IEEE 802.11 n is recommended).
- Unauthorized Wi-Fi wireless routers may fail to connect to applicable Dacor wine cellars.
- Recommended to have Wi-Fi Router or Access Point within 50 feet of appliance.


02 Cabinet Light

Press to adjust the cabinet light. You can choose from 4 different levels (Off, 1-3).

NOTE

The cabinet light is set to level 3 (brightest) as factory default.

03 Presenter Light

Presenter Light	Press to adjust the presenter light. You can choose from 4 different levels (Off, 1-3).  NOTE The presenter light is set to off as factory default.
-----------------	---

04 Upper Zone Select

Upper Zone Select	Press this button, and then use the Temp. Control buttons to adjust the upper zone temperature between 40 °F ~ 65 °F (4 °C ~ 18 °C).
-------------------	---

05 Upper Zone Temp.

Upper Zone Temp.	Displays the temperature of the upper zone. The set temperature will be displayed when you adjust the upper zone temperature.
------------------	--

06 Middle Zone Select

Middle Zone Select	Press this button, and then use the Temp. Control buttons to adjust the middle zone temperature between 40 °F ~ 65 °F (4 °C ~ 18 °C).
--------------------	--

07 Middle Zone Temp.

Middle Zone Temp.	Displays the temperature of the middle zone. The set temperature will be displayed when you adjust the middle zone temperature.
-------------------	--


08 Lower Zone Select

Lower Zone Select	Press this button, and then use the Temp. Control buttons to adjust the lower zone temperature between 40 °F ~ 65 °F (4 °C ~ 18 °C).
-------------------	---

09 Lower Zone Temp.

Lower Zone Temp.	Displays the temperature of the lower zone. The set temperature will be displayed when you adjust the lower zone temperature.
------------------	--

10 Temp. Control

Temp. Control	<p>Press \wedge or \vee to increase or decrease the set temperature of the selected zone. You can adjust the temperature between 0 °F ~ 65 °F (4 °C ~ 18 °C) in 1 °F (1 °C) unit. If you press and hold the button for more than 2 seconds, the temperature will increase or decrease until you release the button.</p> <p> NOTE If you press these buttons without selecting the zone (upper, middle, or lower), temperature does not change and all the zone select buttons will blink.</p>
---------------	---

Operations

11 Deodorizer Reset (3 sec)

Deodorizer Reset	After about 18 months of using the original deodorizer filter, the Filter indicator blinks red to remind you that the filter needs to be replaced. If this happens, replace the filter, and press and hold Deodorizer Reset for 3 seconds. The filter lifecycle will be reset and the Filter indicator turns off.
------------------	--

12 Door Alarm / °C↔°F (3 sec)

Door Alarm	You can enable or disable the door alarm by pressing Door Alarm . When Door Alarm is enabled and a door is left open for more than 2 minutes, the alarm will sound and the alarm indicator will blink. The Door Alarm function is enabled by factory default.
°C↔°F	You can use the Door Alarm button to switch the temperature scale between Celsius and Fahrenheit. To switch the temperature scale, press and hold Door Alarm for 3 seconds.

NOTE

If the door is left open for more than 10 minutes, the LED lamps will turn off.

13 Lock (3 sec)

Lock	To prevent accidental setting changes, press and hold Lock for 3 seconds. Main panel will be disabled and the Lock indicator (—) will turn on. If you press any button while Lock is on, the indicator will blink. If you press and hold the button again for more than 3 seconds, Lock will be deactivated. However, Lock will be reactivated if no button is input for the next 1 minute.
------	--

14 Cooling Off

Cooling Off mode (also called Demo mode) is designed for use by retailers when they are displaying wine cellar on a retail floor.

In Cooling Off mode, the fan motor and lights operate normally, but the compressors do not run so the wine cellar does not get cold.

- To enter Cooling Off mode, press and hold **Cabinet Light**, **Presenter Light**, and **Lock** simultaneously for 5 seconds. The fridge chime sounds and the temperature display shows "oF".
- To exit Cooling Off mode, press and hold **Cabinet Light**, **Presenter Light**, and **Lock** simultaneously for 5 seconds again. The fridge chime sounds and the temperature display shows the current temperature.

NOTE

If the Lock indicator turns on, you must first deactivate Lock.

15 Sabbath mode

The Sabbath mode stays active for 85 hours once it is activated. After that, it will be deactivated automatically.

- To activate, press and hold **Presenter Light** and **Deodorizer Reset** simultaneously for 5 seconds. Then the wine cellar operates in Sabbath mode where the buttons, the display, and the room lamps are all under control.
- To deactivate, press and hold the buttons again for 5 seconds.

NOTE

- If the Lock indicator turns on, you must first deactivate Lock.
- Even after the wine cellar powers off and restarts, the Sabbath mode remains active. To exit, you must deactivate the Sabbath mode.

Operations

SmartThings

Installation

Visit the Google Play Store, Galaxy Apps, or Apple App Store and search for “SmartThings”. Download and install the SmartThings app provided by Samsung Electronics to your smart device.

NOTE

- The SmartThings app is designed for Android 6.0 (Marshmallow) or later, iOS 10.0 or later, iPhone 6 or later, and is optimized for Samsung smartphones (Galaxy S and Galaxy Note series).
- For improved performance, the SmartThings app is subject to change without notice or discontinued support according to the manufacturer’s policy.
- Recommended encryption systems include WPA/TKIP and WPA2/AES. Any newer or non-standard Wi-Fi authentication protocols are not supported.
- Wireless networks may be affected by the surrounding wireless communication environment.
- If your Internet service provider has registered the MAC address of your PC or modem for identification, your Samsung Smart Wine Cellar may fail to connect to the Internet. If this happens, contact your Internet service provider for technical assistance.
- The firewall settings of your network system may prevent your Samsung Smart Wine Cellar from accessing the Internet. Contact your Internet service provider for technical assistance. If this symptom continues, contact a local Samsung service center or retailer.
- To configure the wireless access point (AP) settings, see the user manual of the AP (router).
- Samsung Smart Wine Cellar support both Wi-Fi 2.4 GHz with IEEE 802.11 b/g/n and Soft-AP protocols. (IEEE 802.11 n is recommended.)
- Unauthorized Wi-Fi wireless routers may fail to connect to applicable Samsung Smart Wine Cellar.

Samsung account

You are required to register with a Samsung account to use the app. If you don’t have a Samsung account, follow the app’s onscreen instructions to create a free Samsung account.

Getting started

1. Turn on the device you want to connect, open the SmartThings app on your phone, and then follow the instructions below.
2. If a pop-up appears saying that a new device has been found, tap **ADD NOW**.
3. If a pop-up doesn't appear, tap the + button, and then select the device you want to connect from the list of available devices.
4. If your device isn't in the list of available devices, tap **Supported Devices**, select the device type (wine cellar), and then select the specific device model.
5. Follow the instructions in the app to set up your device. Once setup is complete, your wine cellar will appear as a "card" on your Devices screen.

Wine cellar app

Integrated control

You can monitor and control your Wine Cellar at home and on the go.

- Tap the Wine Cellar icon on the SmartThings Dashboard or tap the Devices icon at the bottom of the Dashboard, and then tap the Wine Cellar "card" to open the Wine Cellar page.
- Check the operation status or notifications related to your Wine Cellar, and then change options or settings if necessary.

NOTE

Some options or settings of the wine cellar may not be available for remote control.

Operations

Category	Item	Description
Monitoring	Temperature	Displays the current temperature setting of the winecellar.
	Self Check	Detects abnormal operations of the wine cellar.
	Energy monitoring	Checks the accumulated power consumption of the winecellar for the last 180 days.
Functions	Temperature	You can change temperature settings and check the current settings.
Alarms	Abnormally high temperature	This alarm is triggered when the temperature of the wine cellar abnormal.
	Door opening	This alarm is triggered if the fridge is left open for a specific time.
	Deodorizer filter replacement	This alarm reminds you that the deodorizer filter must be replaced.
Wine inventory		You can add, edit, and sort your wine information.
HomeCare Wizard		Provides history of “door opening” for the last 7 days, “filter replacement time guide”, and the diagnosis information of the product.

To check the MAC address

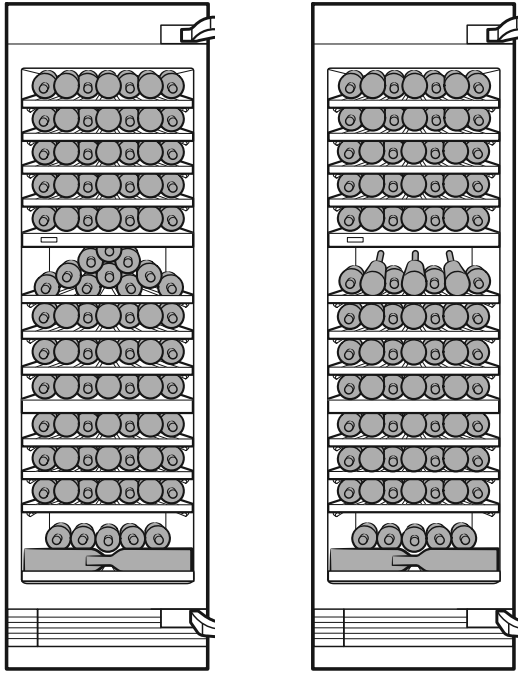
- In this mode, the MAC address appears on the temperature panel sequentially for 1 minute.
Press and hold both **Cabinet Light** and **Door Alarm** for 6 seconds. The temperature display blinks. Then, press **Door Alarm** to display the MAC address. The wine cellar beeps.
- For example, if the MAC address is “11-22-33-44-55-66”, the temperature panel displays the address for 1 minute in this sequence: “--” → “11” → “22” → “33” → “44” → “55” → “66” → “--”.
After the 1 minute, the MAC address disappears and the temperature panel returns to the normal state.

NOTE

The temperature panel displays “-- / --” for an unknown MAC address or if a Wi-Fi connection is not established or is lost.

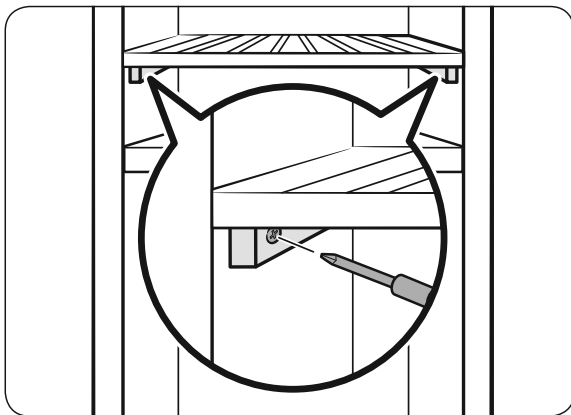
Special Features

Load capacity



Type A

Type B

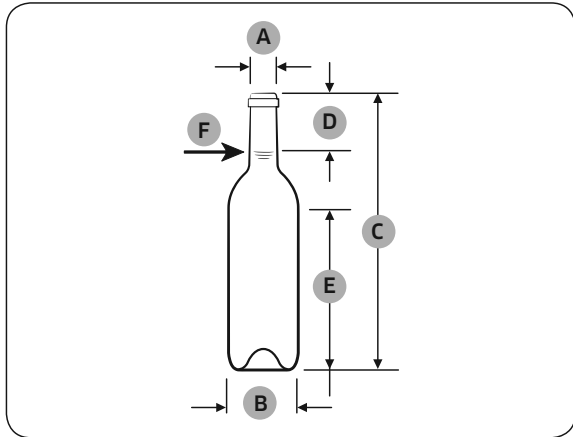


Load capacity		Type A	Type B
Upper zone	1	7	7
	2	7	7
	3	7	7
	4	7	7
	5	7	7
Middle zone	1	10	7
	2	7	7
	3	7	7
	4	7	7
Lower zone	1	7	7
	2	7	7
	3	7	7
	4	13	13
Total		100	97

⚠ CAUTION

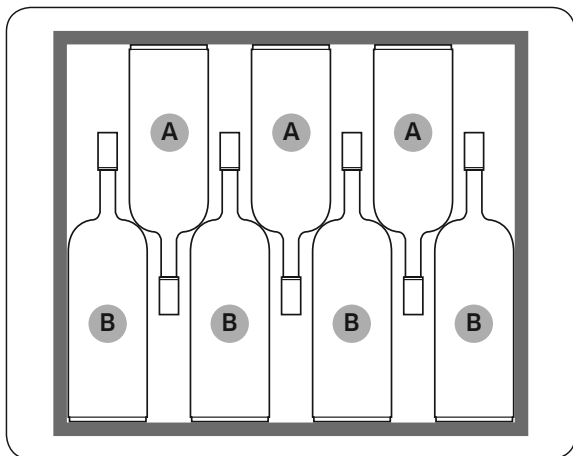
If you are using the bottle presenters on the top rack of the middle zone (as shown in Type B of the figure), make sure to fix the rack with a screw driver.

Operations



Standard bottle size

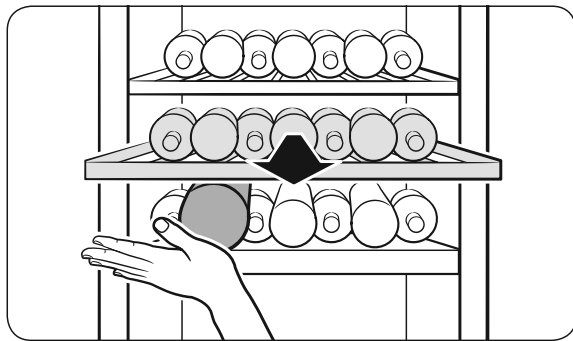
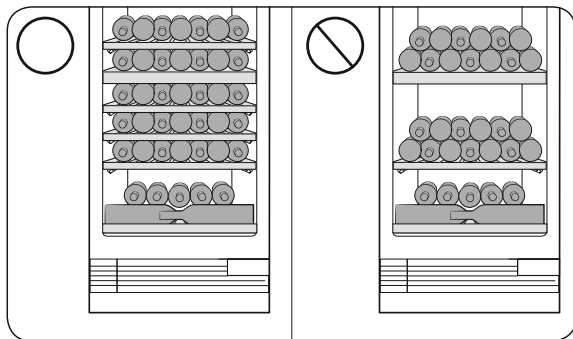
A	$\varnothing 1 \frac{3}{32}$ " ($\varnothing 27.5$)
B	$\varnothing 3$ " ($\varnothing 76.1$)
C	$21 \frac{27}{32}$ " (300.5)
D	$6 \frac{1}{4}$ " (63)
E	$12 \frac{15}{32}$ " (158.5)
F	25.4 fl oz (75.0 cl)



A: Standard bottle / B: Long bottle

NOTE

If you want to store standard bottles and long bottles on the same rack, place 4 long bottles and 3 standard bottles as shown in the figure.



⚠ CAUTION

Stack wine bottles only on the bottom rack of the bottom zone (maximum two rows) and the top rack of the middle zone. (To stack bottles on the top rack of the middle zone, see TYPE A of the figure on the page 27.)

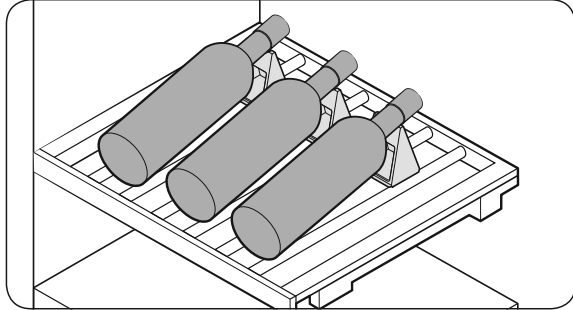
Do not pull out the bottom shelf when bottles are loaded.

⚠ CAUTION

If you stored bottles that are bigger than the standard size on the wine racks or bottom wine shelf (bottom part of each zone), protect the bottles when you pull out the rack directly above it to prevent them from falling.

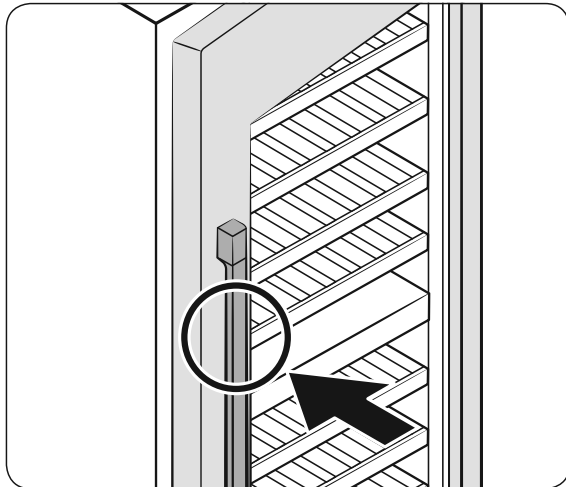
Operations

Bottle presenters



You can display up to 3 wine bottles using the provided bottle presenters (as shown in the figure).

Auto Door Open system

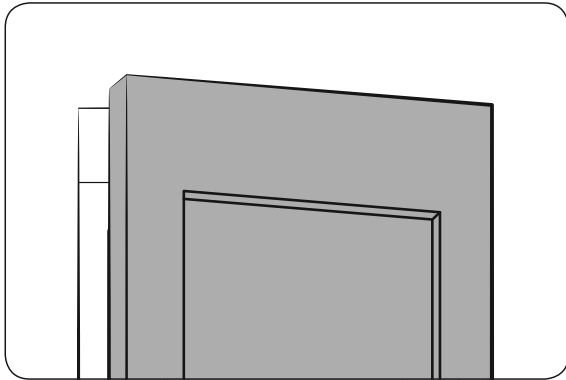


The auto door open system allows for effortless opening of the door with the help of a mechanical device.

To open the door with mechanical assistance, simply push the door handle. Touching or snapping does not trigger the auto door open system.

Closing the door early during the auto door open system could cause kit damage. You can adjust the pressure sensitivity. To maximize the sensitivity, press and hold **Cabinet Light** and **Deodorizer Reset** simultaneously for 3 seconds. The display shows “01” for 3 seconds.

To set the pressure sensitivity back to default, press and hold the buttons again for 3 seconds. The display will show “00”.



NOTE

- By default, the system is turned on.
- The system is not triggered immediately after the door is closed. Allow 2 seconds and try again. This is not a system failure.
- When the door opens by the system, it remains open for 2 seconds and closes automatically.

CAUTION

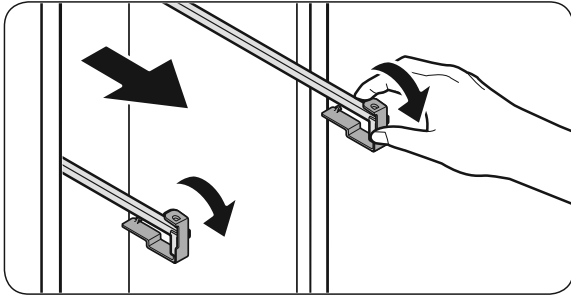
Do not force the door back in while it is opening. It may cause a mechanical failure of the system.

- The effort to push the door differs depending on operating conditions. It increases right after the door is closed or if the refrigeration cycle is turned on causing a negative pressure inside.
- When wine cellars are installed in a pair, it is possible that the system can be triggered by closing the door of the adjacent wine cellar. It may happen when the door is closed hard or when the wine cellars are not fixed tight into the cabinet.

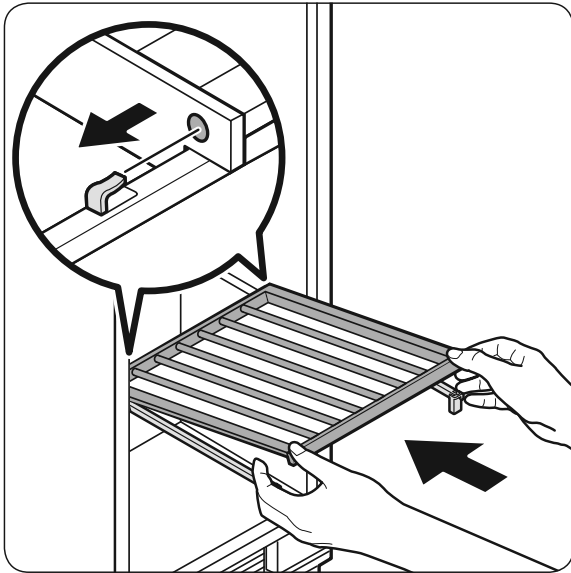
Operations

Wine Rack Assemble & Disassemble

Assembling the wine rack



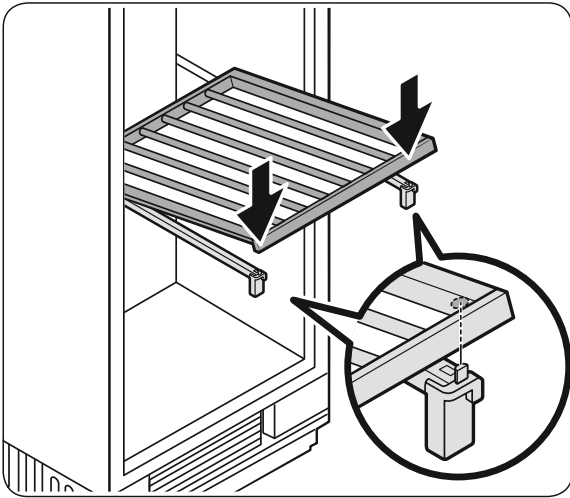
1. Remove the rail holders.



2. Hold the front part of the wine rack and the rail, and then push the wine rack so that the hook on the back of the rail is inserted into the hole on the back of the wine rack as shown in the figure.

NOTE

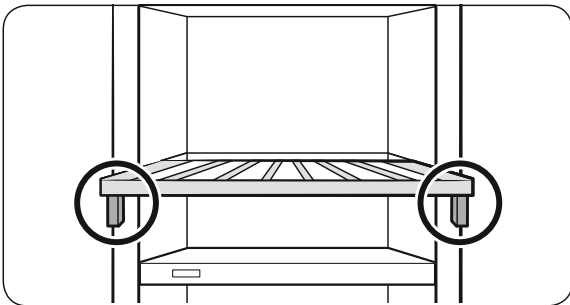
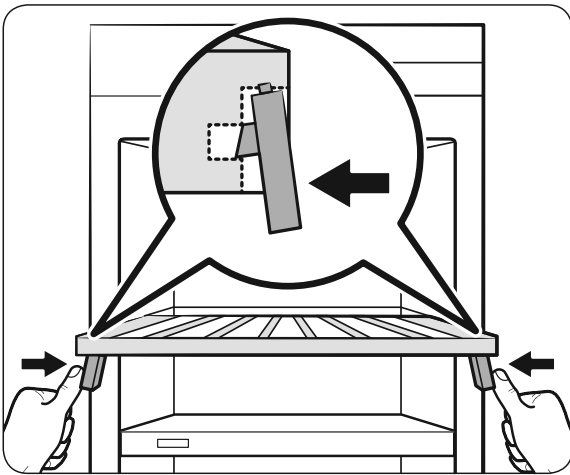
Make sure the hooks on the both rails are properly inserted into the rack.



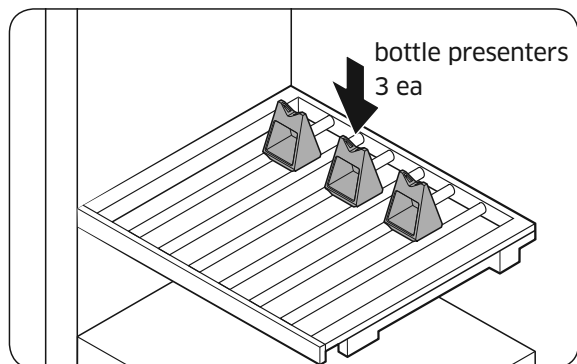
3. Fix the front part of the wine rack by placing the rack on the front of the rail so that two pins on the top and side of the rack is inserted into the holes on the front part of the rack as shown in the figure.

NOTE

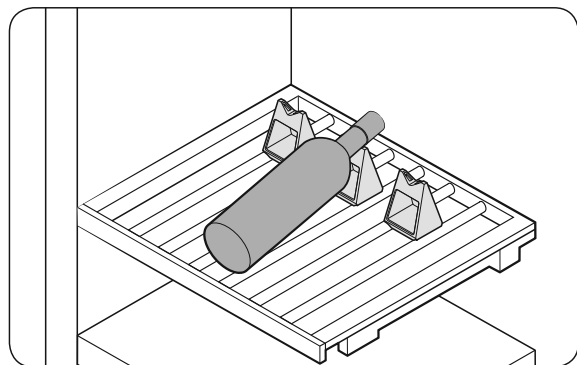
Make sure the pins on the both rails are properly inserted into the holes on the rack.



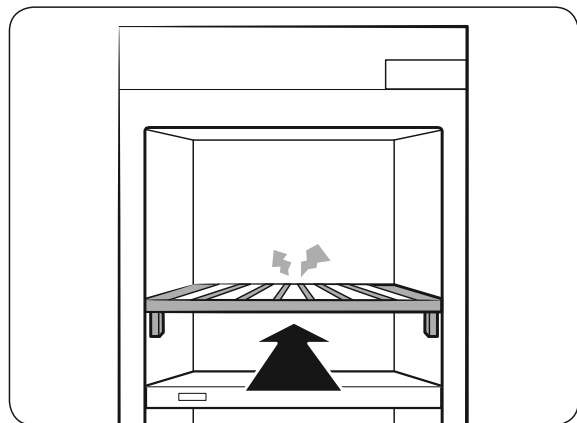
Operations



4. Place 3 bottle presenters on the wine rack of the Presentation Zone.



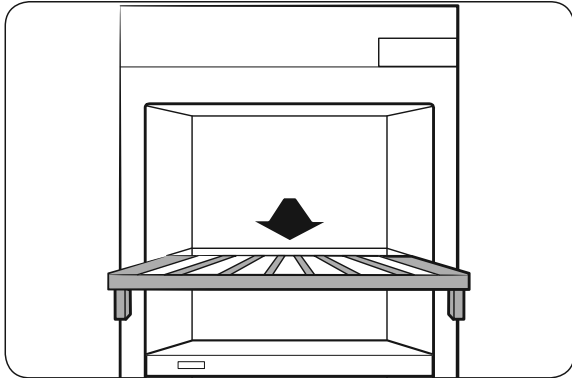
5. Slide in the wine rack until you hear a clicking sound.



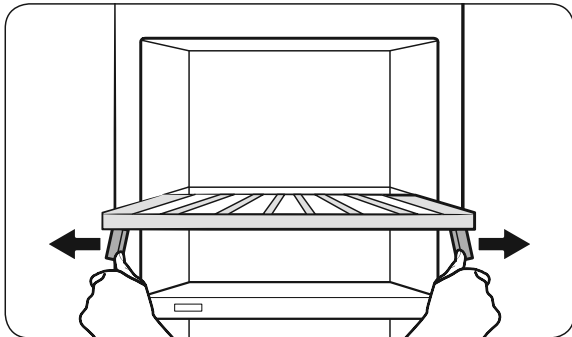
WARNING

- Make sure the appliance is level. If the appliance is not level, the wine rack may slide in or out.
- Make sure the wine rack is firmly fixed.

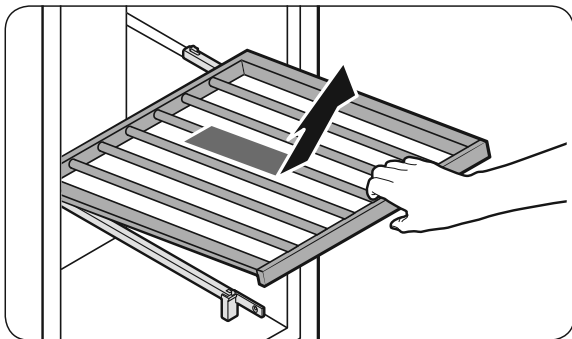
Disassembling the wine rack



1. Pull the wine rack.



2. Gently spread the racks and lift the front part to release from the pins.

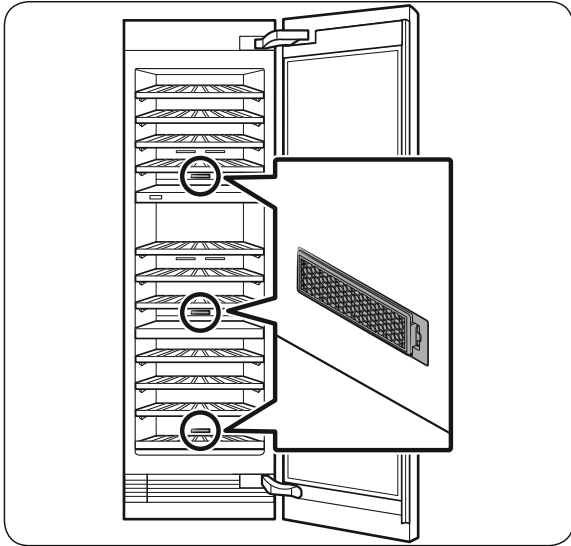


3. Pull the wine rack to remove.

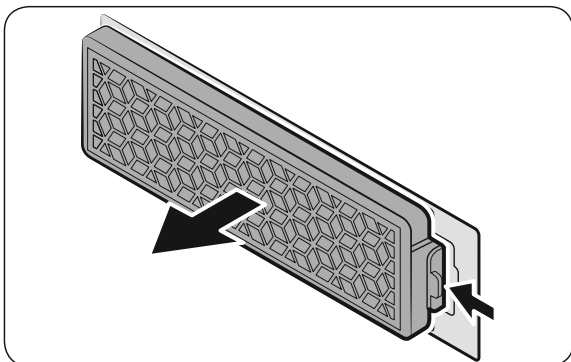
Operations

Replacement

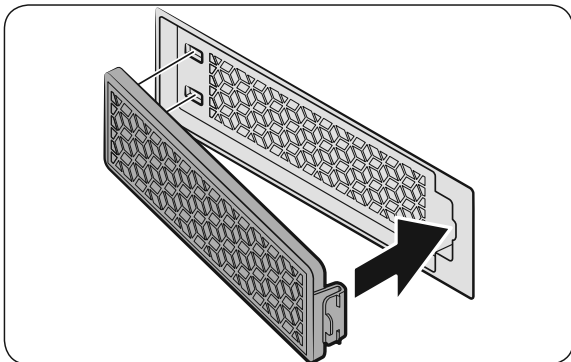
Deodorizer filter



- The overall design and/or accessories may differ with the model.



To remove, take out the wine rack first to reveal the filter on the rear wall. Hold down the tabs of the filter to unlock and remove.



To insert, insert the rear of the filter first, and then push the front to lock into position.

NOTE

The lifecycle of the deodorizer filter is 18 months, which differs depending on the use conditions. You can purchase a new filter at a local Dacor service center.

LED Lights

To replace the LED lights on the wine cellar, contact a local service agent. Contact Dacor Customer Service at (800) 793-0093.

WARNING

The LED lights are not user-serviceable. Do not attempt to replace an LED light yourself. This can cause electric shock.

Care and Maintenance

Cleaning

WARNING

- Do not use benzene, thinner, or home/car detergent such as Clorox™ for cleaning. They may damage the surface of the wine cellar and cause a fire.
- Do not spray water onto the wine cellar. This may cause electric shock.

Regularly use a dry cloth to remove all foreign substances such as dust or water from the power plug terminals and contact points.

1. Power off the wine cellar.
2. Use a moistened, soft, lint-free cloth or paper towel to clean the wine cellar's interior and exterior.
3. When done, use a dry cloth or paper towel to dry well.
4. Power on the wine cellar.

Troubleshooting

Before calling for service, review the checkpoints below. Any service calls regarding normal situations (No Defect Cases) will be charged to users.

General

Temperature

Symptom	Possible causes	Solution
Wine cellar does not operate. Wine cellar temperature is warm.	<ul style="list-style-type: none"> Power cord is not plugged in properly. 	<ul style="list-style-type: none"> Properly plug in the power cord.
	<ul style="list-style-type: none"> Temperature control is not set correctly. 	<ul style="list-style-type: none"> Set the temperature lower.
	<ul style="list-style-type: none"> Wine cellar is located near a heat source or direct sunlight. 	<ul style="list-style-type: none"> Keep the wine cellar away from direct sunlight or a heat source.
	<ul style="list-style-type: none"> The wine cellar is overloaded. Wine is blocking the wine cellar vents. 	<ul style="list-style-type: none"> Do not overload the wine cellar. Do not allow wine to block ventilation.
Wine cellar is over-cooling.	<ul style="list-style-type: none"> Temperature control is not set correctly. 	<ul style="list-style-type: none"> Set the temperature higher.

Odors

Symptom	Possible causes	Solution
Wine cellar has odors.	<ul style="list-style-type: none"> It might be the natural oak smell from the wooden wine rack. 	<ul style="list-style-type: none"> Clean the wine cellar and open the door for a while. The lifecycle of the deodorizer filter is 18 months, which differs depending on the use of conditions.

Condensation

Symptom	Possible causes	Solution
Condensation forms on the interior walls.	<ul style="list-style-type: none"> If door is left open, moisture enters the wine cellar. 	<ul style="list-style-type: none"> Remove the moisture and do not leave the door for a long time.

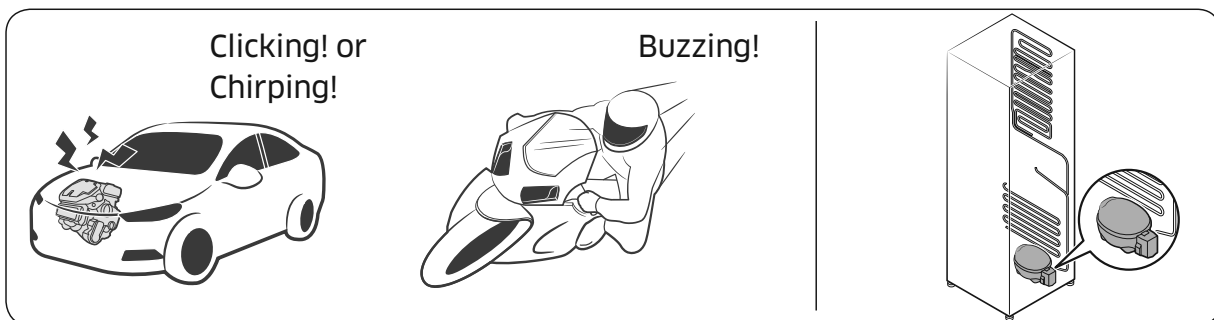
Troubleshooting

Abnormal Sounds

Before calling for service, review the checkpoints below. Any service calls related to normal sounds will be charged to the user.

These sounds are normal.

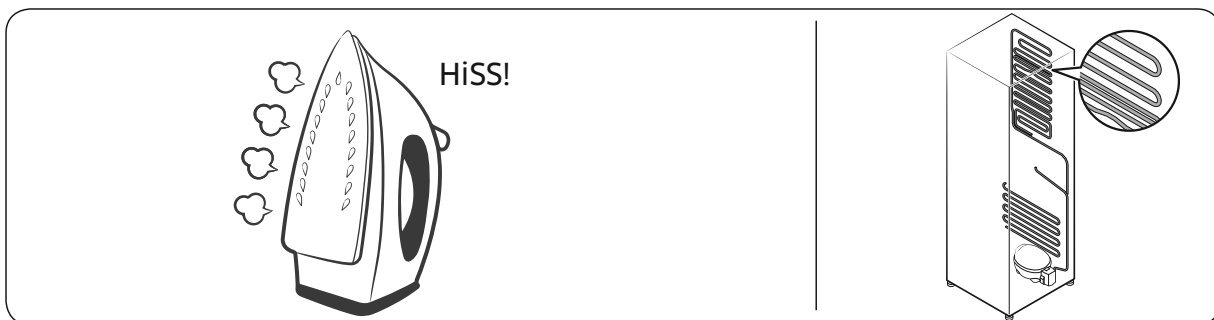
- When starting or ending an operation, the wine cellar may make sounds similar to a car engine starting. As the operation stabilizes, the sounds will decrease.



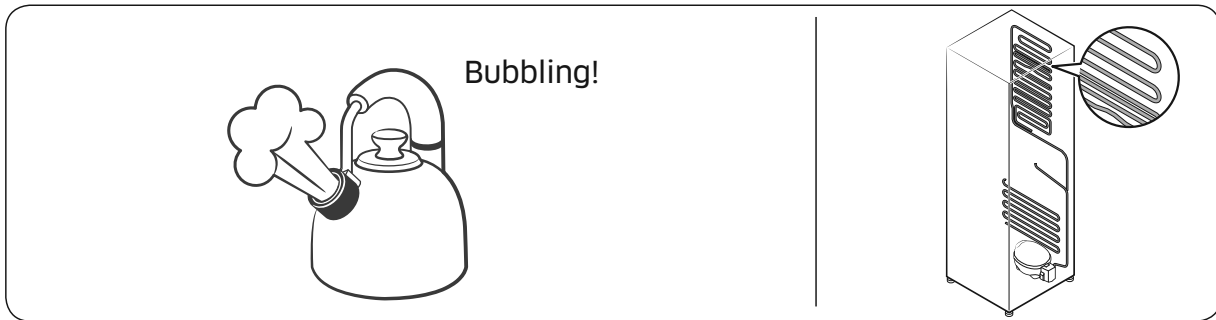
- While the fan is operating, these sounds may occur. When the wine cellar reaches the set temperature, no fan sound should occur.



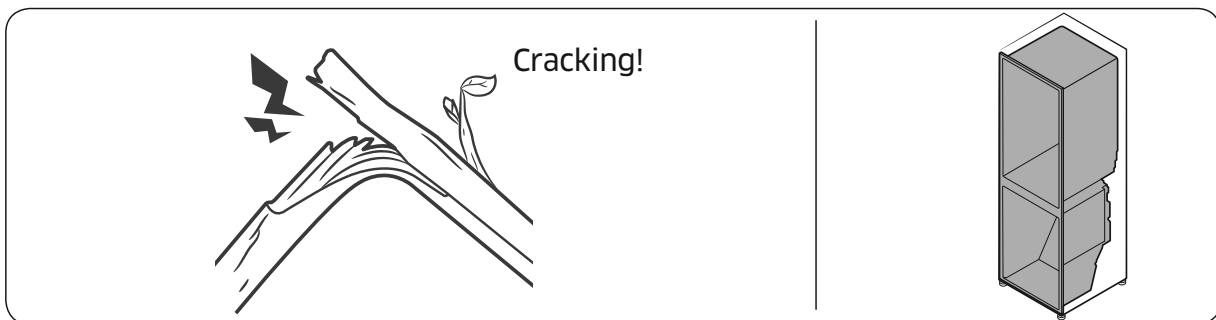
- During a defrost cycle, water may drip on the defrost heater, causing sizzling sounds.



-
- As the wine cellar cools refrigerant gas moves through sealed pipes, causing bubbling sounds.



- As the wine cellar temperature increases or decreases, plastic parts contract and expand, creating cracking noises. These noises occur during the defrosting cycle or when electronic parts are working.



- Due to pressure equalizing when opening and closing the wine cellar door, whooshing sounds may occur.

Troubleshooting

Auto Door Open (ADO)

Symptom	Action
Auto Door Open(ADO) is not working.	<ul style="list-style-type: none">• Turn on Auto Door Open switch. (factory setting is turn off)• Auto Door Open system will not work if it was opened less than 1 minute ago. Allow one minute, before attempting to open again.
When closing the door, the other door opens (Pair installation).	<ul style="list-style-type: none">• When closing the door of one wine cellar, the door of the other wine cellar (installed in a pair) may be opened. This occurs if the door sensor of the other wine cellar is triggered, and is not a system failure. The opened door will be closed in a moment by the Auto Close system.

SmartThings

Symptom	Action
Could not find "SmartThings" in the app market.	<ul style="list-style-type: none">The SmartThings app is designed for Android 6.0 (Marshmallow) or later, iOS 10.0 or later, iPhone 6 or later, and is optimized for Samsung smartphones (Galaxy S and Galaxy Note series).
The SmartThings app fails to operate.	<ul style="list-style-type: none">The SmartThings app is available for applicable models only.
The SmartThings app is installed but is not connected to my wine cellar.	<ul style="list-style-type: none">You must log into your Samsung account to use the app.Make sure that your router is operating normally.Make sure that the Smart Home Adapter is inserted properly.If the Wi-Fi icon on the Wine Cellar's display is off, this indicates that no network connection has been established yet. In this case, use the SmartThings app to connect and register your Wine Cellar to the access point (AP/Router) in your home.
Could not log into the app.	<ul style="list-style-type: none">You must log into your Samsung account to use the app.If you don't have a Samsung account, follow the app's onscreen instructions to create one.
An information message appears when I try to register my wine cellar.	<ul style="list-style-type: none">Network connection may fail due to the distance from your access point (AP) or electrical interference from the surrounding environment. Wait a moment and try again.
The SmartThings app is successfully connected to my wine cellar but does not run.	<ul style="list-style-type: none">Exit and restart the SmartThings app or disconnect and reconnect the router.Remove the Smart Home Adapter, and reconnect it properly. Then, try again.

Warranty and Service

Customer Service

Before you request help or schedule service:

1. Try the solutions offered in the Problem–Solution table in the "Troubleshooting" section.
2. Become familiar with the warranty terms and conditions of your product.
3. If none of these tips or suggestions resolves your problem, call our Customer Assurance team at the number below.

Dacor's Customer Assurance Team is available 5:00 A.M. to 5:00 P.M. Pacific Time.

For warranty repairs or questions in the US and Canada

Phone: 833-35-ELITE (833-353-5483) USA, Canada

For non-warranty repairs or questions in the US and Canada

Phone: (800) 793-0093, extension 2813

Contact us through our website at:

www.dacor.com/customer-care/contact-us

Product Information: knowledgebase.dacor.com

Warranty

What is Covered

CERTIFICATE OF WARRANTY ON

DACOR WINE CELLAR

WITHIN THE FIFTY STATES OF THE U.S.A., THE DISTRICT OF COLUMBIA AND CANADA:

FULL TWO-YEAR WARRANTY

The warranty applies to only the Dacor appliance that was sold to the first-use purchaser.

Warranty is also valid on products purchased brand new from a Dacor Authorized Dealer or other seller authorized by Dacor.

Starting from the date of original retail purchase receipt or closing date for new construction, whichever period is longer.

- 60-day Cosmetic
- 2-Year Full Warranty
- 6-Year Sealed System Warranty: Parts/Labor
- 12-Year Sealed System Warranty: Parts only
- 15-Year Compressor Warranty: Parts only

Except as noted above, consumable parts such as filters and light bulbs are not covered and are the responsibility of the purchaser.

LIMITED WARRANTY

In three to six years after the date of purchase, when this wine cellar is used and maintained according to the instructions or care guide that came with the product, Dacor will pay for factory specified parts and repair labor costs to correct defects in materials or workmanship in the sealed refrigeration system. These parts are: the compressor, evaporator, condenser, dryer and connecting tubing.

In seven to twelve years after the date of purchase, when this wine cellar is used and maintained according to the instructions or care guide that came with the product, Dacor will pay for factory specified parts for the following components to correct defects in materials or workmanship in the sealed refrigeration system that existed when this major appliance was purchased: the compressor, evaporator, condenser, dryer and connecting tubing.

In thirteen to fifteen years after the date of purchase, when this wine cellar is used and maintained according to the instructions or care guide that came with the product, Dacor will pay for factory specified parts for the compressor to correct defects in materials or workmanship that existed when this major appliance was purchased.

LIMITATIONS OF COVERAGE

Service will be provided by a Dacor designated service company during regular business hours. Please note service providers are independent entities and are not agents of Dacor.

Dealer displays and model home displays with a production date longer than 5 years, products sold "As-Is," and products installed for non-residential use, which include but not limited to religious organizations, fire stations, bed and breakfast, and spas, carry a one-year parts warranty only. All delivery, installation, labor costs, and other service fees are the responsibility of the purchaser.

The owner must provide proof-of-purchase or a closing statement for new construction upon request. All Dacor products must be accessible for service. All cosmetic damage (such as scratches on stainless steel, paint/ porcelain blemishes, etc.) to the product or included accessories must be reported to Dacor within 60 days of the original purchase date to qualify for warranty coverage.

Warranty will be null and void on product that has altered, defaced, or missing serial numbers and tags.

Warranty is null and void if non-CSA approved product is transported from the U.S.A.

Warranty and Service

OUTSIDE THE FIFTY STATES OF THE U.S.A., THE DISTRICT OF COLUMBIA, AND CANADA: LIMITED FIRST YEAR WARRANTY

If your Dacor product fails to function within one year of the original date of purchase due to a defect in material or workmanship, Dacor will furnish a new part, F.O.B. factory to replace the defective part.

All delivery, installation, labor costs, and other service fees are the responsibility of the purchaser.

What is Not Covered

- Slight color variations may be noticed because of differences in painted parts, kitchen lighting, product placement, and other factors; this warranty does not apply to color variation.
- Service calls to educate the customer on proper use and care of the product.
- Service fees for travel to islands and remote areas, which include but are not limited to, ferries, toll roads, or other travel expenses.
- Consequential or incidental damage, including but not limited to: food or medicine loss, time away from work, or restaurant meals.
- Failure of the product when used for commercial, business, rental, or any application other than for residential consumer use.
- Failure of the product caused by improper product installation.
- Replacement of house fuses, fuse boxes, or resetting of circuit breakers.
- Damage to the product caused by accident, fire, flood, power interruption, power surges, or acts of God.
- Liability or responsibility for damage to surrounding property including cabinetry, floors, ceilings and other structures or objects around the product.
- Breakage, discoloration or damage to glass, metal surfaces, plastic components, trim, paint, or other cosmetic finish caused by improper usage, care, abuse, or neglect.

Out-of-Warranty

Should you experience a service issue beyond the standard warranty period, please contact us.

Dacor reviews each issue and customer concern to provide the best possible solution based on the circumstances.

THE REMEDIES PROVIDED IN THE ABOVE EXPRESS WARRANTIES ARE THE SOLE AND EXCLUSIVE REMEDIES. THEREFORE, NO OTHER EXPRESS WARRANTIES ARE MADE, AND OUTSIDE THE FIFTY STATES OF THE UNITED STATES, THE DISTRICT OF COLUMBIA AND CANADA, ALL IMPLIED WARRANTIES, INCLUDING BUT NOT LIMITED TO, ANY IMPLIED WARRANTY OF MERCHANTABILITY OR FITNESS FOR A PARTICULAR USE OR PURPOSE, ARE LIMITED IN DURATION TO ONE YEAR FROM THE DATE OF ORIGINAL PURCHASE. IN NO EVENT SHALL DACOR BE LIABLE FOR INCIDENTAL EXPENSE OR CONSEQUENTIAL DAMAGES. IN THE EVENT DACOR PREVAILS IN ANY LAWSUIT, DACOR SHALL BE ENTITLED TO REIMBURSEMENT OF ALL COSTS AND EXPENSES, INCLUDING ATTORNEY'S FEES, FROM THE DACOR CUSTOMER. NO WARRANTIES, EXPRESS OR IMPLIED, ARE MADE TO ANY BUYER FOR RESALE.

Some states do not allow limitations on how long an implied warranty lasts, or do not allow the exclusion or limitation of inconsequential damages, therefore the above limitations or exclusions may not apply to you. This warranty gives you specific legal rights, and you may also have other rights that vary from state-to-state.

Regulatory Notice

FCC Notice

FCC CAUTION:

Any changes or modifications not expressly approved by the party responsible for compliance could void the user's authority to operate the equipment.

Contains Transmitter Module FCC ID: A3LCWAM210S

This device complies with Part 15 of FCC Rules. Operation is Subject to the following two conditions:

- (1) This device may not cause harmful interference, and
- (2) This device must accept any interference received including interference that cause undesired operation.

For products available in the US and Canadian markets, only channels 1~11 are available. You cannot select other channels.

FCC STATEMENT:

This equipment has been tested and found to comply within the limits for a Class B digital device, pursuant to part 15 of the FCC Rules. These limits are designed to provide reasonable protection against harmful interference in a residential installation.

This equipment generates, uses, and can radiate radio frequency energy and, if not installed and used in accordance with the instructions, may cause harmful interference to radio communications. However, there is no guarantee that interference will not occur in a particular installation. If this equipment does cause harmful interference to radio or television reception, which can be determined by turning the equipment off and on, the user is encouraged to try to correct the interference by one or more of the following measures:

- Reorient or relocate the receiving antenna
- Increase the separation between the equipment and receiver
- Connect the equipment to an outlet that is on a different circuit than the receiver.
- Consult the dealer or an experienced radio/TV technician for help.

FCC RADIATION EXPOSURE STATEMENT:

This equipment complies with FCC radiation exposure limits set forth for an uncontrolled environment.

This equipment should be installed and operated so there is at least 8 inches (20 cm) between the radiator and your body. This device and its antennas must not be co-located or operated in conjunction with any other antenna or transmitter except in accordance with FCC multi-transmitter product procedures.

IC Notice

Contains Transmitter Module IC: 649E-CWAM210S

The term “IC” before the radio certification number only signifies that Industry Canada technical specifications were met. Operation is subject to the following two conditions : (1) this device may not cause interference, and (2) this device must accept any interference, including interference that may cause undesired operation of the device.

This Class B digital apparatus complies with Canadian ICES-003.

Cet appareil numérique de la classe B est conforme à la norme NMB-003 du Canada.

For products available in the US and Canadian markets, only channels 1~11 are available. You cannot select other channels.

IC RADIATION EXPOSURE STATEMENT:

This equipment complies with IC RSS-102 radiation exposure limits set forth for an uncontrolled environment. This equipment should be installed and operated so there is at least 8 inches (20 cm) between the radiator and your body. This device and it's antennas must not be co-located or operated in conjunction with any other antenna or transmitter except in accordance with FCC multi-transmitter product procedures.

SAVE THESE INSTRUCTION

Open Source Announcement

The software included in this product contains open source software. You may obtain the complete corresponding source code for a period of three years after the last shipment of this product by sending an email to <mailto:oss.request@samsung.com>.

It is also possible to obtain the complete corresponding source code in a physical medium such as a CD-ROM; a minimal charge will be required.

The following URL http://opensource.samsung.com/opensource/SMART_AT_051/seq/0 leads to the download page of the source code made available and open source license information as related to this product. This offer is valid to anyone in receipt of this information.



Memo



DA68-03607F-01

dacor[®]

dacor[®]

Guide d'utilisation

Cave à vins intégrée

DRW24*

Table des matières

Informations importantes	5
Avant de commencer	5
Consignes de sécurité	6
Consignes et symboles de sécurité importants :	7
Avertissement de la proposition 65 de l'État de Californie (États-Unis uniquement)	7
Symboles d'avertissement importants concernant le transport et le lieu d'installation de l'appareil	7
Avertissements importants concernant l'installation	8
Installation en toute sécurité	10
Avertissements importants concernant l'utilisation	11
Utilisation en toute sécurité	14
Nettoyage en toute sécurité	15
Avertissements importants concernant la mise au rebut	16
Usage prévu	16
Pièces incluses	17
Pièces internes, stockage et rayonnage	17
Opérations	19
Panneau de commande	19
SmartThings	24
Fonctions spéciales	27
Montage et démontage du casier à bouteilles	32
Remplacement	36
Nettoyage et entretien	38
Nettoyage	38
Dépannage	39
Généralités	39
Bruits anormaux	40
Ouverture automatique de la porte (OAP)	42
SmartThings	43

Garantie et service	44
Service client	44
Garantie	44
Avis d'application de la réglementation	48
Norme FCC	48
Norme IC	49
Annonce de logiciel open source	50



Chers clients,

Félicitations pour votre achat des produits Dacor® les plus récents ! Notre combinaison unique de caractéristiques, de style et de performances nous a permis de créer The Life of the Kitchen™, un produit essentiel pour votre foyer.

Afin de vous familiariser avec les commandes, les fonctions et tout le potentiel de votre nouvel appareil Dacor, lisez attentivement ce manuel d'utilisation et d'entretien en commençant par la section des **Consignes importantes de sécurité**.

Tous les appareils Dacor sont conçus et fabriqués avec qualité et fierté dans le respect de nos valeurs d'entreprise. Si vous rencontrez un problème avec votre produit, veuillez d'abord consulter la section Dépannage de ce manuel pour obtenir de l'aide. Il vous donnera des suggestions et des solutions avant de contacter le service d'assistance.

Les retours précieux de nos clients nous aident à améliorer sans cesse nos produits et services. N'hésitez pas à contacter notre équipe d'assistance après-vente pour obtenir de l'aide avec l'appareil en cas de besoin.

Équipe d'assurance après-vente Dacor
14425 Clark Avenue
City of Industry, CA 91745

Téléphone : 833-35-ELITE (833-353-5483) États-Unis, Canada
Fax : (626) 403-3130
Horaires d'ouverture : Du lundi au vendredi, de 05 h 00 à 17 h 00 (heure du Pacifique)
Site web : www.dacor.com/customer-care/contact-us

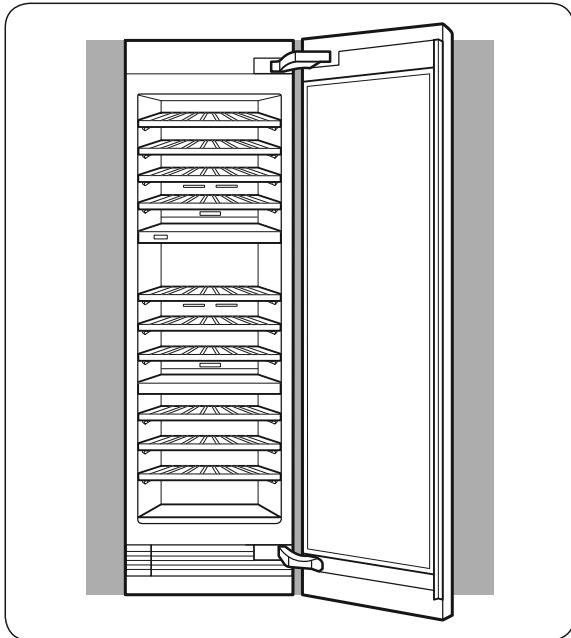
Merci d'avoir choisi Dacor pour votre foyer. Nous sommes une entreprise créée par des familles pour des familles et nous nous mettons au service de la vôtre. Nous sommes convaincus que votre nouveau produit Dacor vous apportera plaisir et hautes performances pendant de nombreuses années.

Sincères salutations,

The Dacor Customer Assurance Team

Informations importantes

Avant de commencer



- La conception générale et/ou les accessoires peuvent varier d'un modèle à un autre.

Conservez votre reçu de vente ou un chèque annulé. Une preuve d'achat originale indiquant la date d'achat est requise pour le service de garantie.

Veillez à avoir à portée de main les numéros de modèle et de série de votre appareil.

Vous trouverez ces numéros sur l'étiquette située à l'intérieur de la paroi de la cave à vins. Notez ces numéros ci-dessous pour plus de praticité.

Numéro de modèle	
Numéro de série	
Date d'achat	

Nous améliorons de façon continue la qualité et les performances de nos produits. Nous pouvons donc apporter des modifications sur l'appareil sans mettre à jour ce manuel. Visitez le site www.dacor.com pour télécharger la dernière version de ce manuel.

Service client Dacor

Téléphone : 5833-35-ELITE (833-353-5483) États-Unis, Canada

Du lundi au vendredi, de 05 h 00 à 17 h 00 (heure du Pacifique)

Site Web : www.dacor.com/customer-care/contact-us

Consignes de sécurité

- Avant d'utiliser votre nouvelle cave à vins Dacor, veuillez lire attentivement ce manuel afin de vous assurer que vous savez comment utiliser de manière sûre et efficace ses différentes fonctions et fonctionnalités.
- Cet appareil n'est pas conçu pour être utilisé par des personnes (y compris des enfants) manquant d'expérience et de connaissances, ou dont les capacités physiques, sensorielles ou mentales sont réduites, sauf si celles-ci sont sous la surveillance ou ont reçu les instructions d'utilisation appropriées de la personne responsable de leur sécurité. Il est nécessaire de surveiller les enfants pour s'assurer qu'ils ne jouent pas avec l'appareil.
- Les instructions suivantes concernent plusieurs modèles; il est donc possible que les caractéristiques de votre cave à vins soient légèrement différentes de celles spécifiées dans ce guide.
- Il est dangereux pour quiconque qui n'est pas un agent de maintenance autorisé d'entretenir cet appareil.
- Le gaz réfrigérant qui pourrait s'échapper des tuyaux risquerait de s'enflammer ou de provoquer des lésions oculaires. En cas de fuite de réfrigérant, n'approchez pas de flamme nue, éloignez tout objet inflammable de l'appareil et aérez immédiatement la pièce.
 - Le non-respect de cette consigne risquerait de provoquer un incendie ou une explosion.

AVERTISSEMENT

- Le gaz réfrigérant utilisé est le R-600a. Ce produit contient du gaz inflammable (gaz réfrigérant R-600a) ; veuillez communiquer avec les autorités locales pour obtenir des renseignements sur la mise au rebut en toute sécurité de votre appareil.
- Afin d'éviter la création d'un mélange gaz-air inflammable lorsqu'une fuite se produit dans le circuit frigorifique, la taille de la pièce où l'appareil peut être placé doit être déterminée en fonction de la quantité de gaz réfrigérant utilisée. La pièce doit avoir un volume de 35,3 pi³ pour chaque 8 g de gaz réfrigérant R-600a à l'intérieur de l'appareil.
- L'emplacement choisi pour l'installation ne doit pas être exposé à la lumière directe du soleil et ne doit pas être placé à proximité d'une source de chaleur ou d'un autre appareil électrique, par exemple d'une cuisinière, d'un four, d'une plaque chauffante ou encore d'un radiateur.
- Pour des raisons de sécurité, si vous utilisez deux produits côte à côte, assurez-vous d'utiliser des produits certifiés dans les atmosphères contenant des gaz explosifs.
- Ne démarrez jamais un appareil qui présente des signes d'endommagement. En cas de doutes, communiquez avec votre revendeur.



Avertissement : risque d'incendie / matériaux inflammables

Consignes et symboles de sécurité importants :

Veillez suivre toutes les instructions relatives à la sécurité fournies dans le présent manuel. Le présent manuel utilise les symboles de sécurité suivants.

AVERTISSEMENT

Risques ou manipulations dangereuses susceptibles d'entraîner des **blessures graves, des dégâts matériels et/ou la mort.**

ATTENTION

Risques ou manipulations dangereuses susceptibles d'entraîner des **blessures graves et/ou des dégâts matériels.**

REMARQUE

Informations utiles qui aident l'utilisateur à comprendre ou utiliser la cave à vins.

Ces symboles d'avertissement ont pour but d'éviter tout risque de blessure.

Respectez-les en toutes circonstances.

Lisez attentivement la présente section et conservez le guide en lieu sûr afin de pouvoir le consulter ultérieurement.

Avertissement de la proposition 65 de l'État de Californie (États-Unis uniquement)

AVERTISSEMENT : Cancer et effets nocifs sur la reproduction - www.P65Warnings.ca.gov.

Symboles d'avertissement importants concernant le transport et le lieu d'installation de l'appareil

AVERTISSEMENT

- Veillez à ce qu'aucune pièce du circuit frigorifique ne soit endommagée pendant le transport ou l'installation de l'appareil.
 - Risque d'incendie ou de lésions oculaires en cas de fuite de réfrigérant. En cas de fuite, n'approchez pas de flamme nue ou de source d'inflammation potentielle et aérez la pièce pendant plusieurs minutes.
 - Cet appareil contient une faible quantité de réfrigérant isobutane (R-600a), un gaz naturel présentant une compatibilité écologique élevée, mais qui est aussi inflammable.

Consignes de sécurité

Avertissements importants concernant l'installation

AVERTISSEMENT

- N'installez pas la cave à vins dans un lieu humide ou dans un lieu où il est susceptible d'être en contact avec de l'eau.
 - Une détérioration de l'isolation sur des composants électriques est susceptible de provoquer un choc électrique ou un incendie.
- N'installez pas la cave à vins dans un endroit exposé à la lumière directe du soleil ou à proximité d'une cuisinière, d'un appareil de chauffage ou d'autres appareils.
- Ne branchez pas plusieurs appareils dans la même multiprise. La cave à vins doit toujours être branché dans une prise de courant indépendante dotée d'une tension nominale correspondant à celle figurant sur la plaque signalétique de la cave à vins.
 - Ceci permet de bénéficier de performances optimales mais également d'éviter une surcharge des circuits électriques de la maison, ce qui pourrait entraîner une surchauffe des fils et présenter un risque d'incendie.
- Ne branchez pas la fiche d'alimentation dans une prise murale mal fixée.
 - Cela risquerait d'entraîner un choc électrique ou un incendie.
- N'utilisez pas de cordon dont la gaine est craquelée ou endommagée à quelque endroit ou à l'une de ses extrémités.
- Ne pliez pas le cordon d'alimentation à l'excès et ne posez pas d'objets lourds dessus.
- Ne tirez pas ou ne pliez pas excessivement le cordon d'alimentation.
- Ne tordez pas ou ne nouez pas le cordon d'alimentation.
- N'accrochez pas le cordon d'alimentation sur un objet métallique, n'insérez pas le cordon d'alimentation entre des objets, ou n'enfoncez pas le cordon d'alimentation dans l'espace situé derrière l'appareil.
- Ne débranchez jamais la cave à vins en tirant sur le cordon d'alimentation. Maintenez toujours fermement la fiche pour la débrancher de la prise de courant.
 - Tout dommage causé au cordon est susceptible d'entraîner un court-circuit, un incendie et/ou un choc électrique.
- Dans cet appareil, ne stockez pas de substances explosives telles que des aérosols avec un propulseur inflammable.
- N'installez pas cet appareil près d'une source de chaleur ni d'un matériau inflammable.
- N'installez pas cet appareil dans un endroit où des fuites de gaz sont susceptibles de se produire.
 - Un choc électrique ou un incendie pourraient en résulter.
- Cette cave à vins doit être correctement située et installée conformément aux instructions du présent guide avant d'être utilisée.
- Branchez la fiche d'alimentation de façon à ce que le cordon pende vers le bas.
 - Si vous branchez la fiche d'alimentation à l'envers, le fil est susceptible de se rompre et de provoquer un incendie ou un choc électrique.

-
- Assurez-vous que la fiche d'alimentation n'est pas écrasée ou endommagée par le dos de la cave à vins.
 - Gardez les matériaux d'emballage hors de portée des enfants.
 - Il y a un risque d'asphyxie si un enfant place les matériaux d'emballage sur sa tête.
 - L'appareil doit être positionné de façon à ce que la fiche reste accessible après l'installation.
 - Le non-respect de cette consigne risquerait de provoquer un choc électrique ou un incendie en raison de fuites électriques.
 - N'installez pas cet appareil dans un lieu humide, huileux ou poussiéreux, ni dans un endroit exposé directement au soleil ou à l'eau (gouttes de pluie).
 - Une détérioration de l'isolation sur des composants électriques est susceptible de provoquer un choc électrique ou un incendie.
 - Si de grandes quantités de poussière ou d'eau entrent dans la cave à vins, mettez l'appareil hors tension et prenez contact avec votre centre de service Dacor.
 - Sinon, il pourrait y avoir un risque d'incendie.
 - Vous devez retirer toutes les pellicules protectrices en plastique avant de brancher l'appareil pour la première fois.
 - Les enfants doivent être sous surveillance afin de s'assurer qu'ils ne jouent pas avec les circlips utilisés pour l'ajustement de la porte ou avec les brides du tuyau d'eau.
 - Il existe un risque de mort par suffocation si un enfant avale un circlip ou une bride du tuyau d'eau. Tenez les circlips et les brides du tuyau d'eau hors de portée des enfants.
 - La cave à vins doit être correctement mise à la terre.
 - Veillez toujours à ce que la cave à vins soit branchée à la terre avant de vérifier ou de réparer n'importe quelle partie de l'appareil. Les fuites électriques peuvent provoquer des chocs électriques graves.
 - N'utilisez jamais de conduites de gaz, de fils téléphoniques ou d'autres éléments susceptibles d'attirer la foudre pour relier l'appareil à la terre.
 - La cave à vins doit être mise à la terre afin d'éviter les dissipations d'énergie ou les chocs électriques provoqués par les fuites de courant de l'appareil.
 - Le non-respect de cette consigne risque d'entraîner un choc électrique, un incendie, une explosion ou un dysfonctionnement de l'appareil.
 - Toute utilisation non conforme de la fiche de mise à la terre peut présenter un risque de choc électrique. Si l'utilisation d'une rallonge s'avère nécessaire, utilisez uniquement une rallonge à trois fils munie d'une fiche de mise à la terre à trois broches que vous brancherez dans une prise à trois alvéoles compatible avec la fiche de l'appareil. Les caractéristiques électriques de la rallonge doivent être de 115-120 V c.a. et 10 A minimum. Si un adaptateur de mise à la terre est utilisé, vérifiez que la boîte de prise de courant est entièrement mise à la terre.
 - Branchez fermement la fiche dans la prise murale. N'utilisez pas de fiche d'alimentation endommagée, de cordon d'alimentation endommagé ou de prise murale mal fixée.
 - Un choc électrique ou un incendie pourraient en résulter.

Consignes de sécurité

- Si le cordon d'alimentation est endommagé, demandez son remplacement immédiat par le fabricant ou ses fournisseurs de service.
- Seul un technicien qualifié ou une société de service doit être autorisé(e) à changer le fusible dans la cave à vins.
 - Le non-respect de cette consigne risquerait de provoquer un choc électrique ou des blessures corporelles.
- La prise murale doit être facilement accessible afin de pouvoir rapidement débrancher l'appareil en cas d'urgence.
- Elle ne doit pas se situer derrière l'appareil.
- Lors du positionnement de l'appareil, assurez-vous que le cordon d'alimentation n'est pas coincé ou endommagé.
- Ne placez pas plusieurs rallonges électriques ou sources d'alimentation portables à l'arrière de l'appareil.
- N'obstruez pas les orifices de ventilation à l'intérieur du caisson de l'appareil ou à l'intérieur de la structure encastrée.

Installation en toute sécurité

ATTENTION

- Laissez un espace suffisant autour de la cave à vins et installez celle-ci sur une surface plane.
 - N'obstruez pas l'espace de ventilation à l'intérieur du réfrigérateur ou de son caisson.
- Après avoir installé et mis sous tension votre cave à vins, laissez l'appareil au repos pendant 2 heures avant de le remplir d'aliments.
- Il est vivement recommandé de faire appel à un technicien qualifié ou à une entreprise de dépannage pour installer la cave à vins.
 - Le non-respect de cette consigne risque d'entraîner un dysfonctionnement, un choc électrique, un incendie, une explosion ou des blessures corporelles.

Avertissements importants concernant l'utilisation

AVERTISSEMENT

- Ne branchez pas la prise d'alimentation si vous avez les mains mouillées.
 - Cela pourrait causer un choc électrique.
- N'entreposez pas d'objets sur le dessus de l'appareil.
 - Lors de l'ouverture ou de la fermeture de la porte, les objets pourraient tomber et provoquer des blessures corporelles et/ou des dommages matériels.
- Ne placez pas vos mains, vos pieds, ni des objets métalliques (baguettes métalliques, etc.) sous la cave à vins ou à l'arrière de celle-ci.
 - Un choc électrique ou des blessures corporelles pourraient en résulter.
 - Les bords coupants sont susceptibles de provoquer des blessures corporelles.
- Ne placez pas de récipient rempli d'eau sur la cave à vins.
 - En cas de renversement, cela pourrait entraîner un incendie ou un choc électrique.
- Ne stockez pas d'objets ou de substances volatiles ou inflammables (benzène, diluant, propane, alcool, éther, gaz liquéfié et toute autre substance similaire) dans la cave à vins.
 - La cave à vins a été conçue exclusivement pour le rangement de vins.
 - Cela pourrait entraîner un incendie ou une explosion.
- Il est nécessaire de surveiller les enfants pour s'assurer qu'ils ne jouent pas avec l'appareil.
 - Maintenez les doigts éloignés des zones contenant des « points de pincement » ; Le jeu entre les portes et l'armoire doit nécessairement être faible. Soyez attentif lorsque vous ouvrez les portes si des enfants se trouvent à proximité.
- Ne laissez pas les enfants se suspendre à la porte de l'appareil. Ils risqueraient de se blesser.
- Ne laissez pas les enfants entrer dans la cave à vins. Ils risqueraient de rester emprisonnés.
- Ne placez pas vos mains sous l'appareil.
 - Les bords coupants sont susceptibles de provoquer des blessures corporelles.
- Ne rangez pas de produits pharmaceutiques, chimiques ou sensibles aux températures dans la cave à vins.
 - Les produits nécessitant un contrôle strict de la température ne doivent pas être entreposés dans la cave à vins.
- Ne placez pas et n'utilisez pas d'appareils électriques à l'intérieur de la cave à vins sauf s'il s'agit d'un type recommandé par le fabricant.
- Si l'appareil dégage de la fumée, mettez-le immédiatement hors tension puis prenez contact avec votre centre de service Dacor.
- Si de grandes quantités de poussière ou d'eau entrent dans la cave à vins, débranchez la fiche et prenez contact avec votre centre de service Dacor.
 - Sinon, il pourrait y avoir un risque d'incendie.

Consignes de sécurité

- Ne laissez pas les portes de la cave à vins ouvertes lorsque l'appareil n'est pas sous surveillance et ne laissez pas les enfants se glisser à l'intérieur de l'appareil.
 - Ils pourraient s'étouffer ou se blesser.
- Ne remplissez pas trop la cave à vins.
 - Lors de l'ouverture de la porte, un article pourrait tomber et provoquer des blessures corporelles ou des dommages matériels.
- Ne vaporisez pas de substance volatile telle qu'un insecticide sur la surface de l'appareil.
 - Ces produits peuvent s'avérer dangereux pour la santé et risquent en outre de provoquer un choc électrique, un incendie ou un dysfonctionnement de l'appareil.
- N'utilisez pas ni n'entreposez pas de substances thermosensibles (ex. : pulvérisateurs ou objets inflammables, glace sèche, médicaments ou produits chimiques) à proximité ou à l'intérieur de la cave à vins.
- N'utilisez pas de séchoir à cheveux pour sécher l'intérieur de la cave à vins. Ne placez pas de bougie allumée à l'intérieur de la cave à vins pour en éliminer les mauvaises odeurs.
 - Un choc électrique ou un incendie pourraient en résulter.
- N'utilisez pas d'appareil mécanique ni de dispositif susceptible d'accélérer le processus de décongélation, autres que ceux recommandés par le fabricant.
- N'endommagez pas le circuit de réfrigération.
- Si une fuite de gaz est détectée, évitez toute flamme nue ou source potentielle d'inflammation et aérez pendant plusieurs minutes la pièce dans laquelle se trouve l'appareil.
 - Ne touchez pas à l'appareil ou au cordon d'alimentation.
 - N'utilisez pas de ventilateur.
 - Une étincelle risquerait de provoquer une explosion ou un incendie.
- Utilisez uniquement les ampoules DEL fournies par le fabricant ou son réparateur autorisé.
- Ne tentez pas de réparer, démonter ou modifier la cave à vins vous-même.
 - Des modifications non autorisées peuvent générer des problèmes de sécurité. Pour annuler une modification non autorisée, nous facturons le coût total des pièces et de la main d'œuvre.
- N'utilisez aucun fusible (tel que du cuivre, un fil d'acier, etc.) autre qu'un fusible standard.
- Si votre cave à vins doit être réparée ou réinstallée, communiquez avec le centre de service le plus près.
 - Le non-respect de cette consigne risque d'entraîner un dysfonctionnement, un choc électrique, un incendie ou des blessures corporelles.
- Veuillez contacter votre centre de service Dacor le plus proche lorsque l'ampoule DEL intérieure ou extérieure est grillée.
- Si la cave à vins dégage une odeur de brûlé ou de la fumée, débranchez-la immédiatement et prenez contact avec un centre de service Dacor.
 - Le non-respect de cette consigne risquerait de provoquer un incendie ou un choc électrique.
- Débranchez la cave à vins avant de remplacer les ampoules intérieures.
 - Sinon, il pourrait y avoir un risque de choc électrique.

-
- Communiquez avec votre centre de service Dacor si vous éprouvez des difficultés à remplacer une ampoule (qui n'est pas une DEL).
 - Si l'appareil est équipé d'ampoules DEL, ne démontez pas vous-même les caches des lampes et les ampoules.
 - Contactez un centre de service Dacor.
 - Branchez fermement la fiche dans la prise murale.
 - N'utilisez pas de fiche d'alimentation endommagée, de cordon d'alimentation endommagé ou de prise murale mal fixée.
 - Un choc électrique ou un incendie pourraient en résulter.
 - N'exposez pas les accessoires internes, tels que les casiers à bouteilles, les présentoirs pour bouteilles et les clayettes, à la lumière directe du soleil pendant une période prolongée.

Consignes de sécurité

Utilisation en toute sécurité

ATTENTION

- Pour un fonctionnement optimal de l'appareil :
 - Ne placez pas d'aliments trop près des orifices de ventilation à l'arrière de la cave à vins car ils pourraient empêcher la libre circulation de l'air dans le compartiment de la cave à vins.
- Garantie de réparation et modification.
 - Les changements et modifications apportés à cet appareil par un tiers ne sont pas couverts par le service de garantie Dacor. Dacor ne peut être tenue responsable des problèmes de sécurité résultant des modifications apportées par un tiers.
- N'obstruez pas les orifices de ventilation à l'intérieur de la cave à vins.
 - Si les ventilations d'air sont obstruées, notamment par un sac en plastique, la cave à vins risque de trop refroidir.
- Si la cave à vins est débranchée de la prise d'alimentation, patientez au moins cinq minutes avant de la rebrancher.
- Si de grandes quantités d'eau entrent dans la cave à vins, mettez l'appareil hors tension et prenez contact avec un centre de service Dacor.
- Ne frappez pas une surface en verre ou n'y appliquez pas une force excessive.
 - Du verre brisé pourrait entraîner des blessures corporelles et/ou des dommages.
- Si la cave à vins est inondée, coupez l'alimentation de cette dernière et prenez contact avec votre centre de service Dacor le plus proche.
 - Un choc électrique ou un incendie pourraient en résulter.

Nettoyage en toute sécurité

ATTENTION

- Ne vaporisez pas directement de l'eau à l'intérieur ou à l'extérieur de la cave à vins.
 - Risque d'incendie ou de choc électrique.
- N'utilisez pas de séchoir à cheveux pour sécher l'intérieur de la cave à vins.
- Ne placez pas de bougie allumée à l'intérieur de la cave à vins pour en éliminer les mauvaises odeurs.
 - Un choc électrique ou un incendie pourraient en résulter.
- Ne vaporisez pas de produit de nettoyage directement sur l'écran.
 - Les caractères imprimés risqueraient de s'effacer.
- Si un corps étranger tel que de l'eau a pénétré dans l'appareil, débranchez ce dernier et communiquez avec le centre de service le plus près.
 - Le non-respect de cette consigne risquerait de provoquer un incendie ou un choc électrique.
- Utilisez un chiffon propre et sec pour éliminer toute poussière ou corps étranger des lames de la fiche d'alimentation. N'utilisez pas de chiffon mouillé ou humide lors du nettoyage de la prise.
 - Sinon, il pourrait y avoir un risque d'incendie ou de choc électrique.
- Ne nettoyez pas l'appareil en vaporisant de l'eau directement sur celui-ci.
- N'utilisez pas de benzène, de diluant ou d'eau de Javel (Clorox) pour le nettoyage de la cave à vins.
 - Ces produits risquent d'endommager la surface de l'appareil et de provoquer un incendie.
- Ne mettez jamais les doigts ni d'objets dans la sortie du distributeur.
 - Cela peut provoquer des blessures corporelles ou des dommages matériels.
- Débranchez l'appareil de la prise murale avant de le nettoyer et d'en faire l'entretien.
 - Le non-respect de cette consigne risquerait de provoquer un incendie ou un choc électrique.

Consignes de sécurité

Avertissements importants concernant la mise au rebut

AVERTISSEMENT

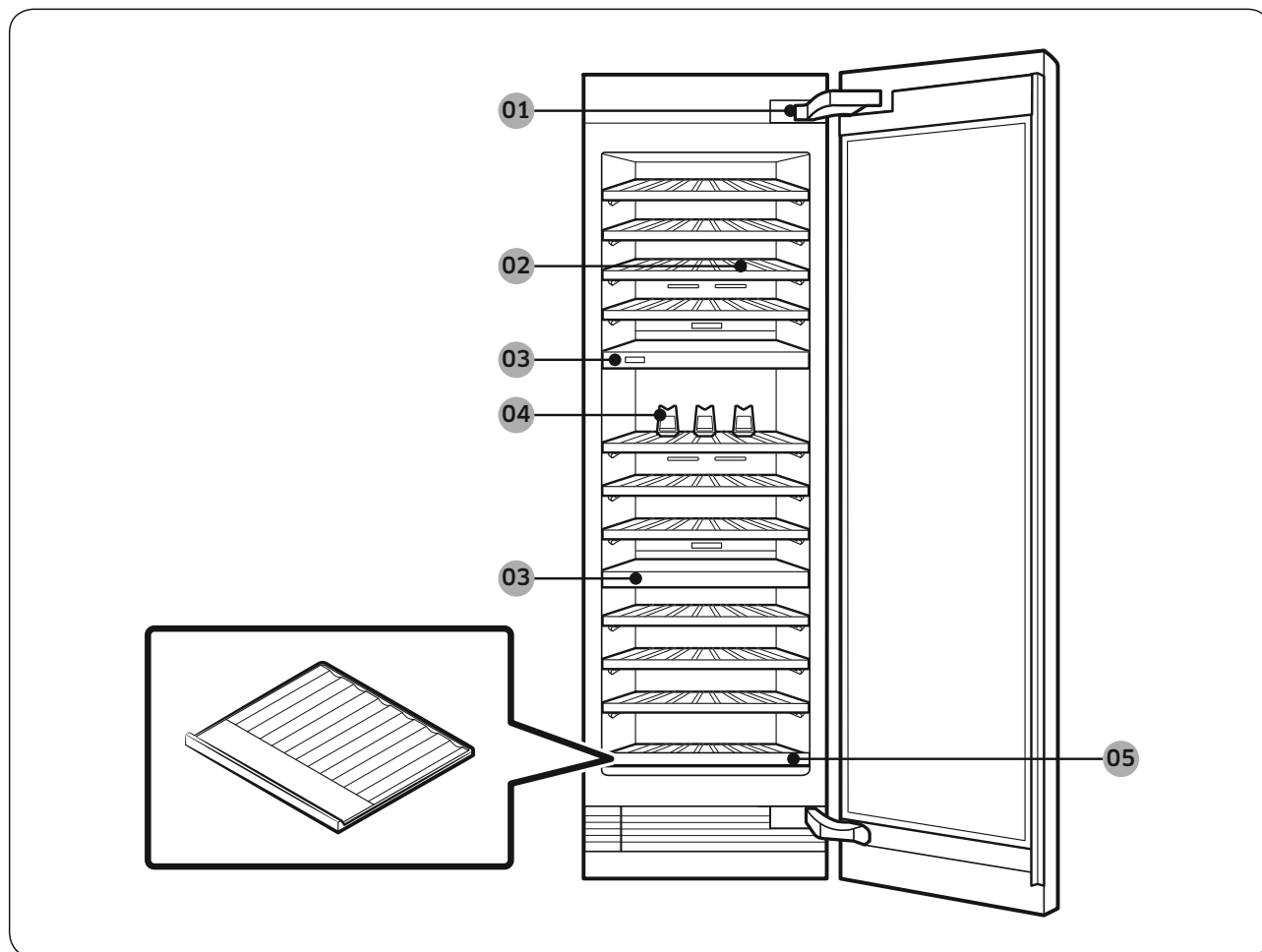
- **DANGER** : Les enfants risqueraient de se retrouver enfermés. Avant de jeter votre vieille cave à vins :
 - Retirez les portes et le loquet de la porte.
 - Ne retirez pas les clayettes afin que les enfants ne puissent pas facilement monter à l'intérieur de l'appareil.
 - Les enfants qui se retrouvent coincés à l'intérieur peuvent se blesser ou suffoquer et en mourir.
- Jetez le matériel d'emballage de cet appareil dans le respect de l'environnement.
- Assurez-vous qu'aucun des tuyaux situés à l'arrière de la cave à vins n'est endommagé avant sa mise au rebut.
- Le gaz réfrigérant utilisé est le R-600a. Ce produit contient du gaz inflammable (gaz réfrigérant R-600a) ; veuillez communiquer avec les autorités locales pour obtenir des renseignements sur la mise au rebut en toute sécurité de votre appareil.
- Du cyclopentane est utilisé comme isolant. Les gaz utilisés pour l'isolation nécessitent une procédure d'élimination spéciale. Pour obtenir des renseignements sur la façon écologique de mettre ce produit au rebut, veuillez communiquer avec les autorités locales.
- Conservez les matériaux d'emballage hors de portée des enfants, car ils présentent un danger pour ces derniers.
 - Un enfant pourrait suffoquer s'il met sa tête dans un sac.

Usage prévu

- zones de cuisine du personnel dans les magasins, bureaux et autres environnements de travail;
- fermes et clients d'hôtels, motels et autres environnements de type résidentiel;
- environnements de type « chambres d'hôtes »;
- applications de restauration et collectives similaires.
- Cet appareil est destiné à un usage à une altitude n'excédant pas 2 000 mètres au-dessus du niveau de la mer.

Pièces incluses

Pièces internes, stockage et rayonnage



01 Commutateur d'alimentation, Commutateur d'ouverture automatique de la porte

02 Casier à bouteilles

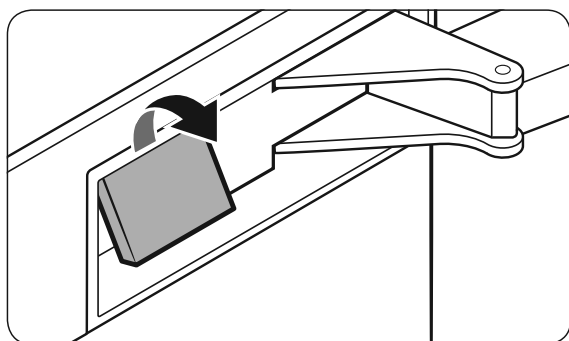
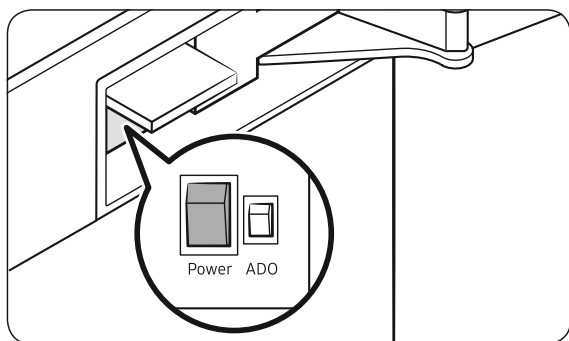
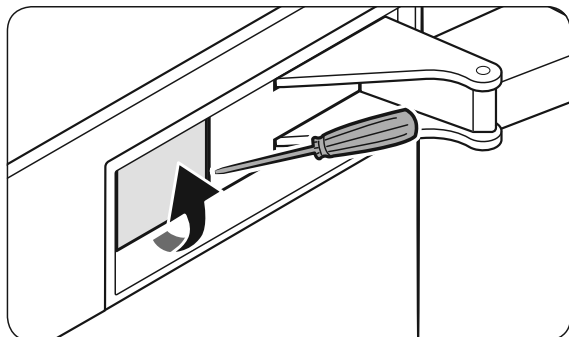
03 Panneau de commande et paroi du compartiment

04 Présentoir pour bouteille

05 Clayette inférieure

Pièces incluses

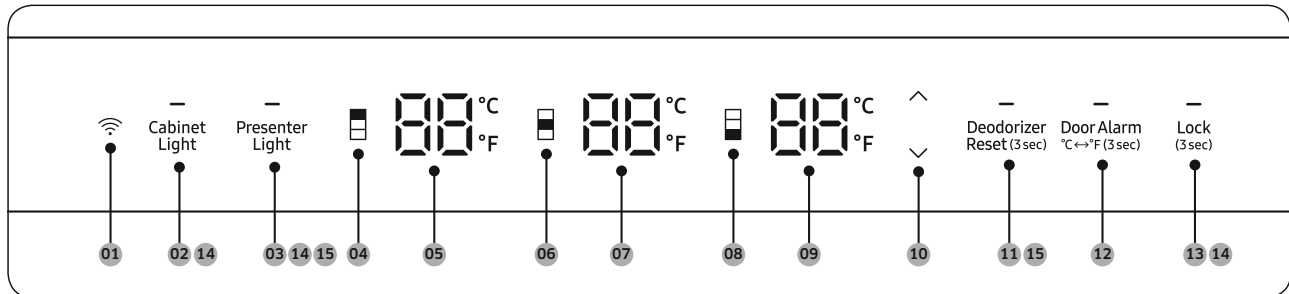
Boîte de distribution



- Utilisez un tournevis à tête plate pour ouvrir le cache de la boîte de distribution.
- Celui en noir est le commutateur d'alimentation ; le commutateur d'ouverture automatique de la porte est celui en rouge situé à côté.
- Fermez le cache de la boîte de distribution.

Opérations

Panneau de commande



- | | |
|--|---|
| 01 Connexion au réseau | 02 Cabinet Light (Éclairage de la caisse) |
| 03 Presenter Light (Éclairage du présentoir) | 04 Sélection de la zone supérieure |
| 05 Température de la zone supérieure | 06 Sélection de la zone intermédiaire |
| 07 Température de la zone intermédiaire | 08 Sélection de la zone inférieure |
| 09 Température de la zone inférieure | 10 Contrôle de la température |
| 11 Deodorizer Reset (3 sec) (Réinitialisation du désodorisant (3 s)) | 12 Door Alarm / °C ↔ °F (3 sec) (Alarme de porte / °C ↔ °F (3 s)) |
| 13 Lock (3 sec) (Verrouillage (3 s)) | 14 Sans refroidissement |
| 15 Mode Sabbat | |

REMARQUE

- Lorsque vous changez la température sur le panneau, ce dernier affiche la température actuelle et la température affichée à l'écran évolue progressivement en fonction de la température interne, jusqu'à ce qu'elle atteigne la température souhaitée. Notez que cela prendra du temps à la cave à vins pour atteindre la nouvelle température. Ceci est tout à fait normal. Vous n'avez pas besoin de régler la température souhaitée simplement du fait que l'écran n'affiche pas la température souhaitée.
- Si aucun bouton n'est actionné pendant 10 secondes après avoir désactivé la fonction Verrouillage, l'écran s'éteint, à l'exception du bouton Lock (Verrouillage), de tous les boutons de sélection de zone et de toutes les températures des zones.
- Si le panneau de commande présente de l'humidité et du liquide sur sa surface, il risque de dysfonctionner. Essayez l'humidité ou le liquide à l'aide d'un chiffon sec puis réessayez.
- Lorsque la porte est fermée, tous les boutons de sélection de zone et la température de la zone s'éteignent, puis la totalité de l'écran s'éteint après 10 minutes.

Opérations

01 Connexion au réseau

Vous pouvez contrôler et surveiller votre cave à vins via l'application SmartThings. Pour plus d'informations, reportez-vous à la section **SmartThings**.

REMARQUE

- Les systèmes de codage recommandés incluent WPA/TKIP et WPA2/AES. Tous les protocoles d'authentification pour connexion Wi-Fi plus récents ou non standardisés ne sont pas pris en charge.
- Les réseaux sans fil peuvent être affectés par l'environnement de communication sans fil autour.
- Si votre fournisseur de services Internet a enregistré l'adresse MAC de votre ordinateur ou de votre modem à des fins d'identification, il est possible que votre cave à vins Dacor ne parvienne pas à se connecter à Internet. Si tel est le cas, prenez contact avec votre fournisseur de services Internet pour bénéficier d'une assistance technique.
- Les paramètres du pare-feu de votre système de réseau peuvent empêcher votre cave à vins Dacor d'accéder à Internet. Prenez contact avec votre fournisseur de services Internet pour bénéficier d'une assistance technique. Si ce symptôme persiste, prenez contact avec un centre de service ou un détaillant Dacor local.
- Pour configurer les paramètres du point d'accès sans fil, reportez-vous au manuel d'utilisation du point d'accès.
- Les caves à vins intelligentes Dacor prennent en charge la connexion Wi-Fi 2,4 GHz avec IEEE 802.11 b/g/n, ainsi que les protocoles Soft-AP (IEEE 802.11 n est recommandé).
- Les routeurs Wi-Fi sans fil non autorisés peuvent ne pas parvenir à se connecter aux caves à vins intelligents Dacor applicables.

02 Cabinet Light (Éclairage de la caisse)

Actionnez ce bouton pour régler l'éclairage de la caisse. Vous pouvez choisir parmi 4 niveaux différents (désactivé, puis de 1 à 3).

REMARQUE

L'éclairage de la caisse est réglé sur le niveau 3 (le plus lumineux) par défaut.

03 Presenter Light (Éclairage du présentoir)

Presenter Light
(Éclairage du
présentoir)

Actionnez ce bouton pour régler l'éclairage du présentoir. Vous pouvez choisir parmi 4 niveaux différents (désactivé, puis de 1 à 3).

REMARQUE

L'éclairage du présentoir est désactivé par défaut.

04 Sélection de la zone supérieure

Sélection de la zone
supérieure

Appuyez sur ce bouton, puis utilisez les boutons **Contrôle de la température** pour régler la température de la zone supérieure entre 40 °F ~ 65 °F (4 °C ~ 18 °C).

05 Température de la zone supérieure

Température de la zone supérieure	Affiche la température de la zone supérieure. La température définie est affichée lorsque vous réglez la température de la zone supérieure.
-----------------------------------	--

06 Sélection de la zone intermédiaire

Sélection de la zone intermédiaire	Appuyez sur ce bouton, puis utilisez les boutons Contrôle de la température pour régler la température de la zone intermédiaire entre 40 °F ~ 65 °F (4 °C ~ 18 °C).
------------------------------------	--

07 Température de la zone intermédiaire

Température de la zone intermédiaire	Affiche la température de la zone intermédiaire. La température définie est affichée lorsque vous réglez la température de la zone intermédiaire.
--------------------------------------	--


08 Sélection de la zone inférieure

Sélection de la zone inférieure	Appuyez sur ce bouton, puis utilisez les boutons Contrôle de la température pour régler la température de la zone inférieure entre 40 °F ~ 65 °F (4 °C ~ 18 °C).
---------------------------------	---

09 Température de la zone inférieure

Température de la zone inférieure	Affiche la température de la zone inférieure. La température définie est affichée lorsque vous réglez la température de la zone inférieure.
-----------------------------------	--

10 Contrôle de la température

Contrôle de la température	<p>Appuyez sur \wedge ou \vee pour augmenter ou réduire la température définie de la zone sélectionnée.</p> <p>Vous pouvez régler la température entre 0 °F et 65 °F (4 °C et 18 °C) par incréments de 1 °F (1 °C).</p> <p>Si vous appuyez et maintenez enfoncé le bouton pendant plus de 2 secondes, la température augmente ou diminue jusqu'à ce que vous relâchez le bouton.</p> <p> REMARQUE</p> <p>Si vous appuyez sur ces boutons sans sélectionner la zone (supérieure, intermédiaire ou inférieure), la température ne change pas et tous les boutons de sélection de zone clignotent.</p>
----------------------------	---

Opérations

11 Deodorizer Reset (3 sec) (Réinitialisation du désodorisant (3 s))

Deodorizer Reset (Réinitialisation du désodorisant)	Après environ 18 mois d'utilisation du filtre d'origine du désodorisant, le voyant Filtre clignote en rouge pour vous rappeler que le filtre doit être remplacé. Si tel est le cas, remplacez le filtre puis maintenez le bouton Deodorizer Reset (Réinitialisation du désodorisant) enfoncé pendant 3 secondes. Le cycle de vie du filtre est réinitialisé et le voyant Filtre s'éteint.
--	--

12 Door Alarm / °C ↔ °F (3 sec) (Alarme de porte / °C ↔ °F (3 s))

Door Alarm (Alarme de la porte)	Vous pouvez activer ou désactiver l'alarme de la porte en appuyant sur le bouton Door Alarm (Alarme de la porte) . Lorsque la fonction Alarme de la porte est activée et si la porte est laissée ouverte pendant plus de 2 minutes, l'alarme retentit et le voyant d'alarme clignote. La fonction Alarme de la porte est activée par défaut en usine.
°C ↔ °F	Vous pouvez utiliser le bouton Door Alarm (Alarme de la porte) pour alterner d'échelle de température entre Celsius et Fahrenheit. Pour alterner l'échelle de température, maintenez le bouton Door Alarm (Alarme de la porte) enfoncé pendant 3 secondes.

REMARQUE

Si la porte est laissée ouverte pendant plus de 10 minutes, les ampoules à DEL s'éteignent.

13 Lock (3 sec) (Verrouillage (3 s))

Lock (Verrouillage)	Pour éviter tout changement accidentel de paramètres, maintenez le bouton Lock (Verrouillage) enfoncé pendant 3 secondes. Le panneau principal est désactivé et le voyant Verrouillage (—) s'allume. Si vous appuyez sur un bouton lorsque la fonction Verrouillage est activée, l'indicateur clignote. Si vous appuyez à nouveau sur ce bouton en le maintenant enfoncé pendant plus de 3 secondes, la fonction Verrouillage sera désactivée. Toutefois, la fonction Verrouillage se réactive si aucun bouton n'est actionné dans la minute qui suit.
------------------------	---

14 Sans refroidissement

Le mode Sans refroidissement (également appelé mode Démo) est destiné aux vendeurs qui mettent les caves à vin en démonstration dans leur magasin.

En mode Sans refroidissement, seuls le moteur du ventilateur et les voyants fonctionnent normalement ; les compresseurs sont désactivés pour que la cave à vin ne produise pas de froid.

- Pour passer en mode Sans refroidissement, maintenez les boutons **Cabinet Light (Éclairage de la caisse)**, **Presenter Light (Éclairage du présentoir)** et **Lock (Verrouillage)** simultanément enfoncés pendant 5 secondes. Le réfrigérateur émet un signal sonore et le message « oF » apparaît sur l'écran de la température.
- Pour quitter le mode Sans refroidissement, maintenez les boutons **Cabinet Light (Éclairage de la caisse)**, **Presenter Light (Éclairage du présentoir)** et **Lock (Verrouillage)** simultanément enfoncés pendant 5 secondes de nouveau. Le réfrigérateur émet un signal sonore et la température actuelle apparaît sur l'écran de la température.

REMARQUE

Si le voyant Verrouillage s'allume, vous devez d'abord désactiver la fonction Verrouillage.

15 Mode Sabbat

Le mode Sabbat reste actif durant les 85 heures suivant son activation. Passé ce délai, il sera automatiquement désactivé.

- Pour activer le mode Sabbat, appuyez simultanément sur les boutons **Presenter Light (Éclairage du présentoir)** et **Deodorizer Reset (Réinitialisation du désodorisant)** en les maintenant enfoncés pendant 5 secondes. La cave à vins passe ensuite en mode Sabbat, dans lequel les boutons, l'écran et les voyants des compartiments sont tous sous contrôle.
- Pour désactiver la fonction, appuyez à nouveau sur ces boutons pendant 5 secondes.

REMARQUE

- Si le voyant Verrouillage s'allume, vous devez d'abord désactiver la fonction Verrouillage.
- Même après le redémarrage de la cave à vins, le mode Sabbat reste actif. Pour quitter ce mode, vous devez d'abord le désactiver.

Opérations

SmartThings

Installation

Rendez-vous sur Google Play Store, Galaxy Apps ou Apple App Store et recherchez « SmartThings ». Téléchargez et installez l'application SmartThings fournie par Samsung Electronics sur votre périphérique intelligent.

REMARQUE

- L'application SmartThings est conçue pour Android 6.0 (Marshmallow) ou une version supérieure, pour iOS 10.0 ou une version supérieure et pour iPhone 6 ou une version supérieure. De plus, elle est optimisée pour les smartphones Samsung (séries Galaxy S et Galaxy Note).
- Pour bénéficier de meilleures performances, l'application SmartThings est soumise à modifications sans préavis ou à une interruption de la prise en charge en fonction de la politique du fabricant.
- Les systèmes de codage recommandés incluent WPA/TKIP et WPA2/AES. Tous les protocoles d'authentification pour connexion Wi-Fi plus récents ou non standardisés ne sont pas pris en charge.
- Les réseaux sans fil peuvent être affectés par l'environnement de communication sans fil autour.
- Si votre fournisseur de services Internet a enregistré l'adresse MAC de votre ordinateur ou de votre modem à des fins d'identification, il est possible que votre cave à vins intelligente Samsung ne parvienne pas à se connecter à Internet. Si tel est le cas, prenez contact avec votre fournisseur de services Internet pour bénéficier d'une assistance technique.
- Les paramètres du pare-feu de votre système de réseau peuvent empêcher votre cave à vins intelligente Samsung d'accéder à Internet. Prenez contact avec votre fournisseur de services Internet pour bénéficier d'une assistance technique. Si ce symptôme persiste, prenez contact avec un centre de service ou un détaillant Samsung local.
- Pour configurer les paramètres du point d'accès sans fil, reportez-vous au manuel d'utilisation du point d'accès (routeur).
- La cave à vins intelligente Samsung prend en charge la connexion Wi-Fi 2,4 GHz avec IEEE 802.11 b/g/n, ainsi que les protocoles Soft-AP. (IEEE 802.11 n est recommandé).
- Les routeurs Wi-Fi sans fil non autorisés peuvent ne pas parvenir à se connecter à la cave à vins intelligente Samsung applicable.

Compte Samsung

Vous devez créer un compte Samsung pour pouvoir utiliser l'application. Si vous n'avez pas de compte Samsung, suivez les instructions de l'application affichées à l'écran pour créer un compte Samsung gratuit.

Pour commencer

1. Allumez le périphérique que vous souhaitez connecter, ouvrez l'application SmartThings sur votre téléphone, puis suivez les instructions ci-dessous.
2. Si une fenêtre contextuelle apparaît en indiquant qu'un nouveau périphérique a été détecté, appuyez sur **ADD NOW (AJOUTER MAINTENANT)**.
3. En l'absence de fenêtre contextuelle, appuyez doucement sur le bouton +, puis sélectionnez le périphérique que vous souhaitez connecter dans la liste des périphériques disponibles.
4. Si votre périphérique ne figure pas dans la liste des périphériques disponibles, appuyez doucement sur **Supported Devices (Périphériques pris en charge)**, sélectionnez le type de périphérique (cave à vins), puis sélectionnez le modèle de périphérique spécifique.
5. Suivez les instructions affichées sur l'application pour configurer votre périphérique. Une fois la configuration terminée, votre cave à vins apparaît sous forme de « carte » sur votre écran Devices (Périphériques).

Application de la cave à vins

Commande intégrée

Vous pouvez surveiller et contrôler votre cave à vins chez vous, de même qu'en déplacement.

- Appuyez doucement sur l'icône de la cave à vins sur le tableau de bord SmartThings ou appuyez doucement sur l'icône Devices (Périphériques) en bas du tableau de bord, puis appuyez doucement sur la « carte » du réfrigérateur pour ouvrir la page Wine Cellar (Cave à vins).
- Vérifiez l'état de fonctionnement ou les notifications relatives à votre cave à vins et modifiez des options ou des réglages si nécessaire.

REMARQUE

Certaines options ou certains réglages de la cave à vins peuvent ne pas être disponibles pour la commande à distance.

Opérations

Catégorie	Élément	Description
Surveillance	Température	Affiche le réglage actuel de la température de la cave à vins.
	Auto-vérification	Détecte les dysfonctionnements de la cave à vins.
	Surveillance de l'énergie	Vérifie la consommation cumulée de la cave à vins des 180 derniers jours.
Fonctions	Température	Vous pouvez modifier les paramètres de température et vérifier les paramètres actuels.
Alarmes	Température anormalement élevée	Cette alarme se déclenche lorsque la température de la cave à vins est anormale.
	Ouverture de la porte	Cette alarme se déclenche si la porte du réfrigérateur est laissée ouverte pendant une durée spécifique.
	Remplacement du filtre du désodorisant	Cette alarme vous rappelle que le filtre du désodorisant doit être remplacé.
Inventaire de bouteilles de vin		Vous pouvez ajouter, modifier et trier les informations relatives à vos bouteilles de vin.
Assistant HomeCare		Cet assistant permet d'afficher l'historique des ouvertures de porte des 7 derniers jours, le guide du temps de remplacement du filtre, et les informations de diagnostic du produit.

Vérifier l'adresse MAC

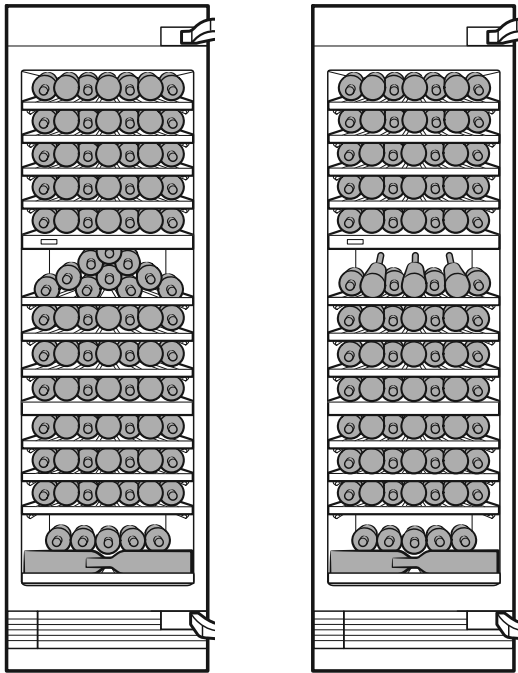
1. Dans ce mode, l'adresse MAC apparaît sur le panneau de température de manière séquentielle pendant 1 minute.
Maintenez les boutons **Cabinet Light (Éclairage de la caisse)** et **Door Alarm (Alarme de porte)** enfoncés pendant 6 secondes. L'écran de température clignote. Ensuite, appuyez sur le bouton **Door Alarm (Alarme de porte)** pour afficher l'adresse MAC. La cave à vins émet un signal sonore.
2. Par exemple, si l'adresse MAC est « 11-22-33-44-55-66 », le panneau de température affiche l'adresse pendant 1 minute dans cet ordre : « -- » → « 11 » → « 22 » → « 33 » → « 44 » → « 55 » → « 66 » → « -- ».
Après 1 minute, l'adresse MAC disparaît et le panneau de température revient à l'état normal.

REMARQUE

Le panneau de température affiche « -- / -- » pour une adresse MAC inconnue ou si la connexion Wi-Fi n'est pas établie ou est perdue.

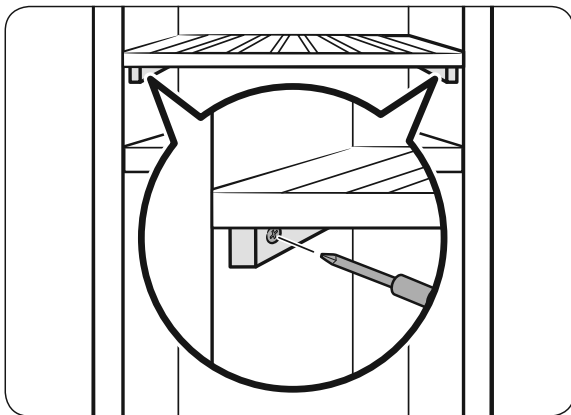
Fonctions spéciales

Capacité de charge



Type A

Type B

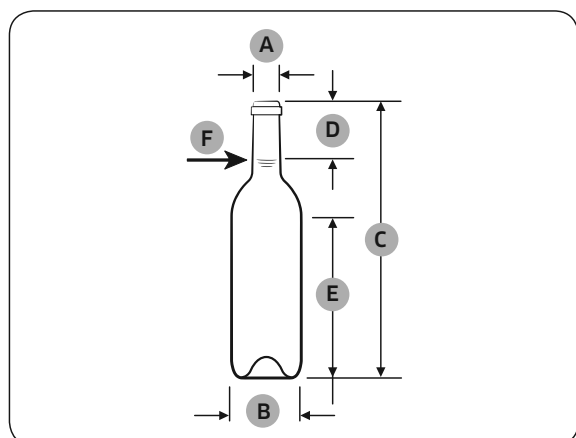


Capacité de charge		Type A	Type B
Zone supérieure	1	7	7
	2	7	7
	3	7	7
	4	7	7
	5	7	7
Zone intermédiaire	1	10	7
	2	7	7
	3	7	7
	4	7	7
Zone inférieure	1	7	7
	2	7	7
	3	7	7
	4	13	13
Total		100	97

⚠ ATTENTION

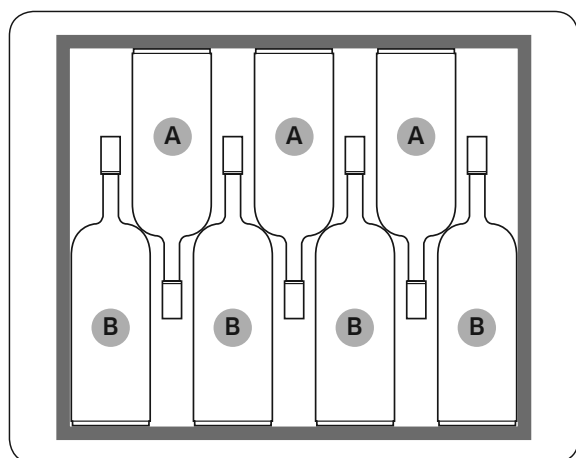
Si vous utilisez des présentoirs pour bouteilles sur le casier supérieur de la zone intermédiaire (comme illustré sur le Type B de l'image), assurez-vous de fixer le casier à l'aide d'un tournevis.

Opérations



Taille standard de bouteille

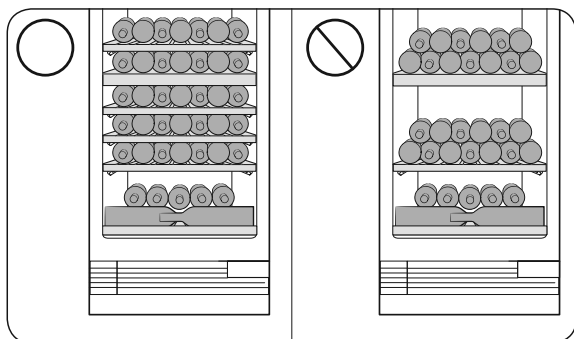
A	$\text{Ø} 3 \frac{3}{32}''$ (Ø 27,5)
B	$\text{Ø} 3''$ (Ø 76,1)
C	$21 \frac{27}{32}''$ (300,5)
D	$6 \frac{1}{4}''$ (63)
E	$12 \frac{15}{32}''$ (158,5)
F	25,4 fl oz (75,0 cl)



A : bouteille standard / B : bouteille longue

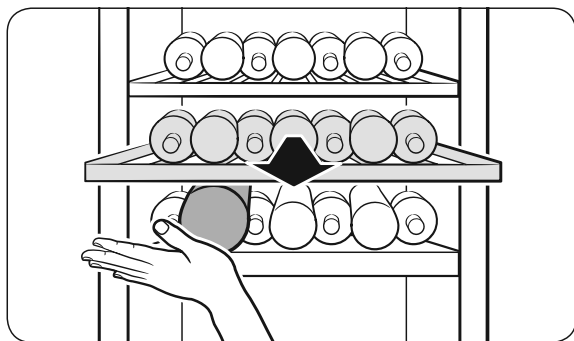
REMARQUE

Si vous souhaitez ranger des bouteilles de taille standard et des bouteilles longues sur le même casier, placez 4 bouteilles longues et 3 bouteilles de taille standard, comme illustré sur l'image.



⚠ ATTENTION

Empilez les bouteilles de vin sur la grille inférieure de la zone inférieure (maximum deux rangées) et sur la grille supérieure de la zone intermédiaire. (Pour empiler des bouteilles sur la grille supérieure de la zone intermédiaire, reportez-vous au TYPE A de la figure en page 27.) Ne tirez pas la clayette inférieure lorsque des bouteilles sont présentes dessus.

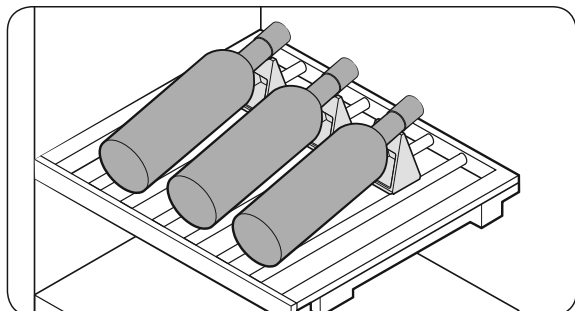


⚠ ATTENTION

Si vous rangez des bouteilles d'une taille supérieure à la taille standard sur la paroi du compartiment ou sur la clayette inférieure (partie inférieure de chaque zone), protégez les bouteilles lorsque vous tirez le casier directement au-dessus d'elle pour éviter toute chute de bouteille.

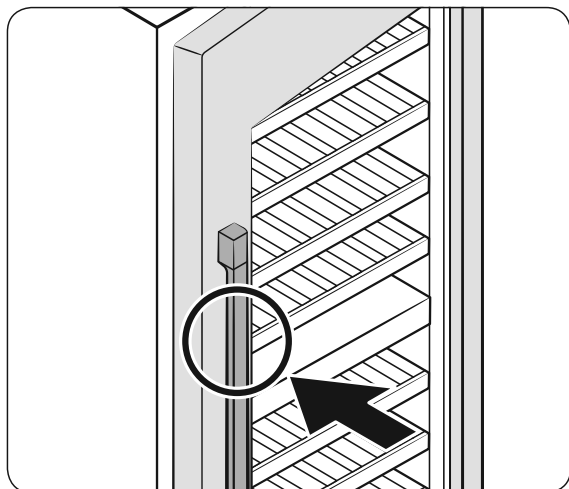
Opérations

Présentoirs pour bouteilles



Vous pouvez présenter 3 bouteilles de vin maximum à l'aide des présentoirs pour bouteilles fournis (tel qu'illustré sur l'image).

Système d'ouverture automatique de la porte



Le système d'ouverture automatique de la porte permet d'ouvrir la porte sans efforts avec l'aide d'un dispositif mécanique.

Pour ouvrir la porte avec une assistance mécanique, poussez simplement la poignée de la porte.

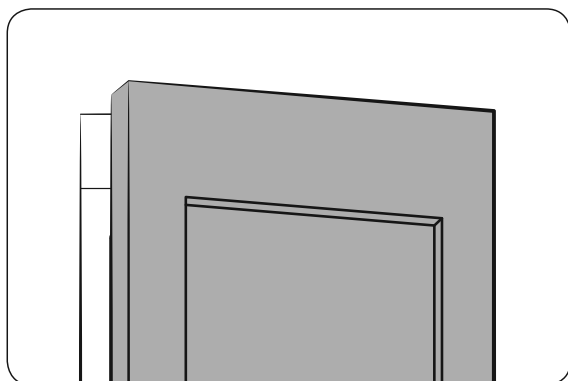
Ensuite, la porte s'ouvre automatiquement.

Si vous touchez ou tapez simplement la porte, cela ne déclenche pas le système d'ouverture automatique de la porte.

Si la porte est fermée trop tôt lors du système de porte automatique, le kit peut être endommagé.

Vous pouvez régler la sensibilité de la pression. Pour optimiser la sensibilité, appuyez simultanément sur les boutons **Cabinet Light (Éclairage de la caisse)** et **Deodorizer Reset (Réinitialisation du désodorisant)** en les maintenant enfoncés pendant 3 secondes. L'écran affiche « 01 » pendant 3 secondes.

Pour définir la valeur par défaut de la sensibilité de la pression, appuyez de nouveau sur ces boutons et maintenez-les enfoncés pendant 3 secondes. L'écran affiche « 00 ».



REMARQUE

- Par défaut, le système est activé.
- Le système ne se déclenche pas tout de suite après la fermeture de la porte. Attendez 2 secondes puis réessayez. Il ne s'agit pas d'un dysfonctionnement du système.
- Lorsque la porte s'ouvre à l'aide du système, elle reste ouverte pendant 2 secondes puis se ferme automatiquement.

ATTENTION

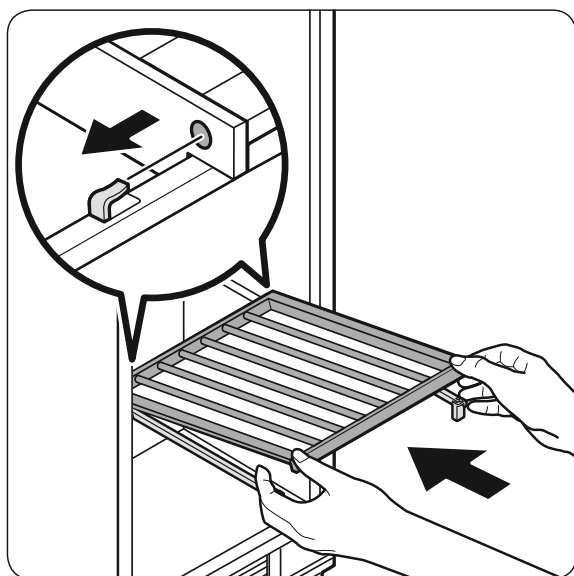
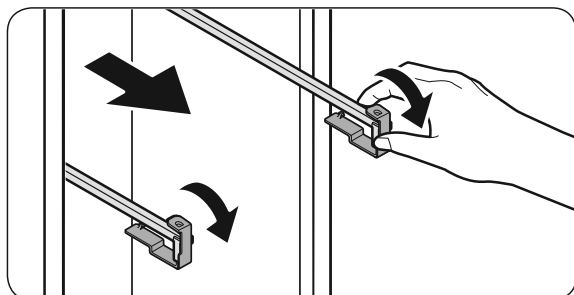
Ne repoussez pas la porte lorsqu'elle est ouverte. Cela risque de provoquer un dysfonctionnement mécanique du système.

- L'effort de pression à appliquer sur la porte diffère selon les conditions. La pression doit être plus forte juste après que la porte ait été fermée ou lorsque le cycle de réfrigération est activé par la pression d'aspiration à l'intérieur.
- Lorsque des caves à vin sont installées en duo, il est possible que le système soit déclenché par la fermeture de la porte de la cave à vin adjacente. Cela peut se produire lorsque la porte est claquée ou lorsque les caves à vin ne sont pas soigneusement fixées au meuble.

Opérations

Montage et démontage du casier à bouteilles

Montage du casier à bouteilles

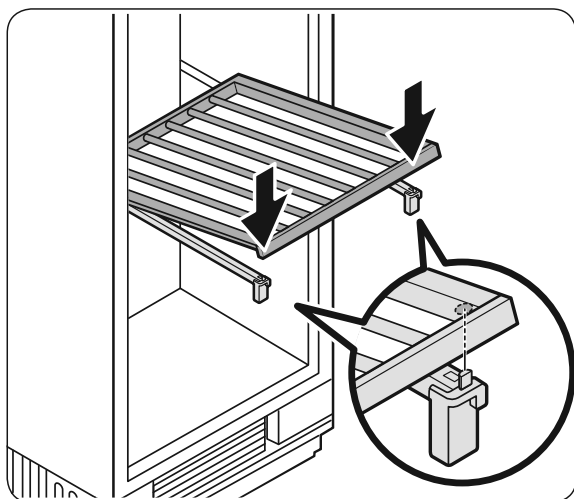


1. Retirez le système de fixation du rail.

2. Saisissez la partie avant du casier à bouteilles et le rail, puis poussez le casier à bouteilles de sorte à insérer le crochet à l'arrière du rail dans le trou situé à l'arrière du casier à bouteilles, comme illustré sur la figure.

REMARQUE

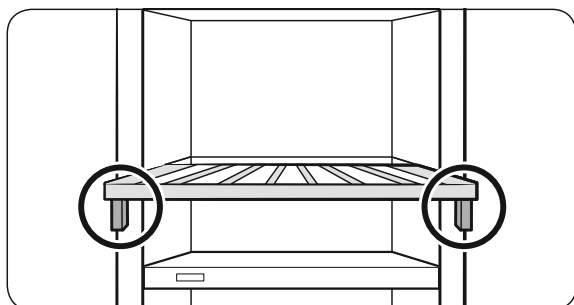
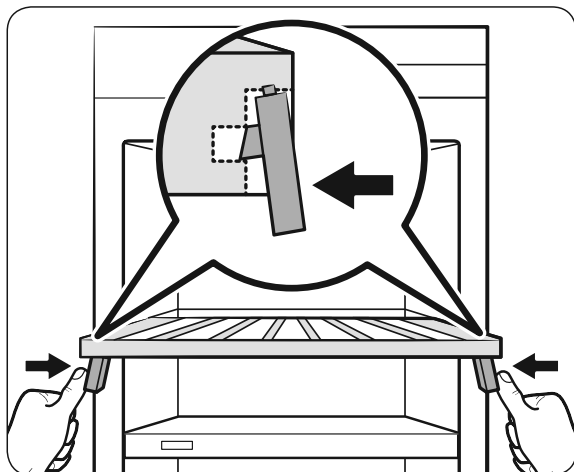
Assurez-vous d'insérer correctement les crochets des deux rails dans le casier.



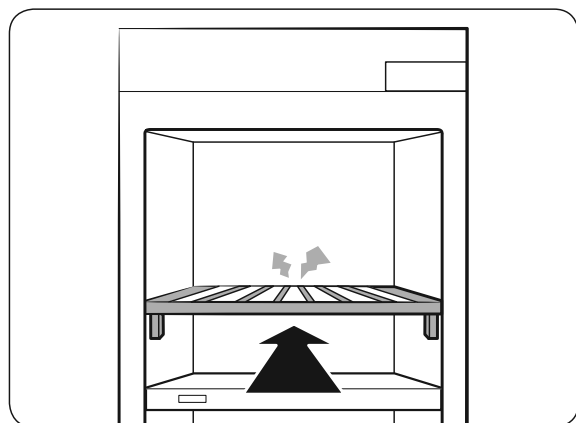
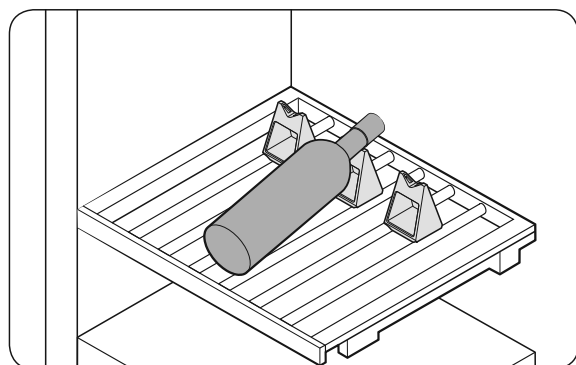
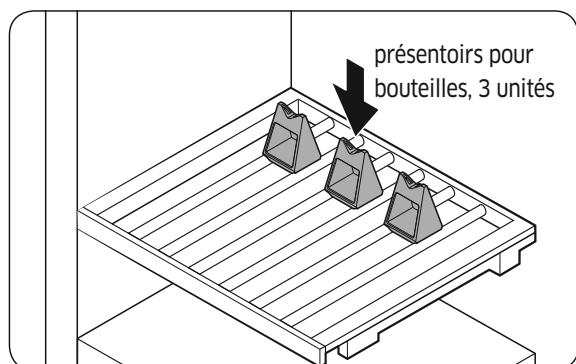
3. Fixez la partie avant du casier à bouteilles en plaçant le casier à l'avant du rail et en insérant les deux clips sur le dessus et sur le côté du rail dans les trous situés sur le devant du casier, comme illustré sur la figure.

 **REMARQUE**

Assurez-vous d'insérer correctement les clips des deux rails dans les trous situés sur le casier.



Opérations



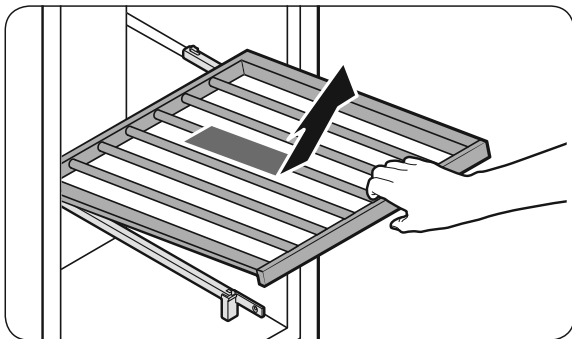
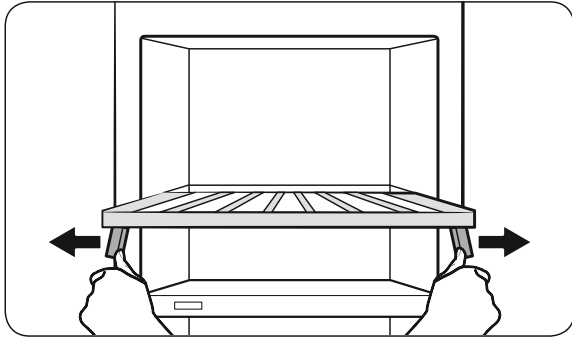
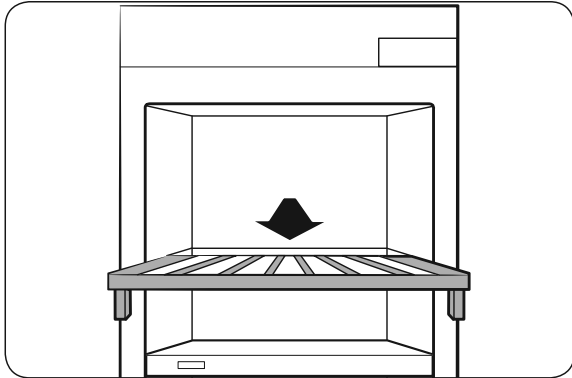
4. Placez 3 présentoirs pour bouteilles sur le casier à bouteilles de la zone de présentation.

5. Faites glisser le casier à bouteilles vers l'intérieur jusqu'à ce que vous entendiez un déclic.

AVERTISSEMENT

- Vérifiez que l'appareil est de niveau. Si l'appareil n'est pas de niveau, le casier à bouteilles pourrait glisser vers l'intérieur ou vers l'extérieur.
- Assurez-vous que le casier à bouteilles est fermement fixé.

Démontage du casier à bouteilles

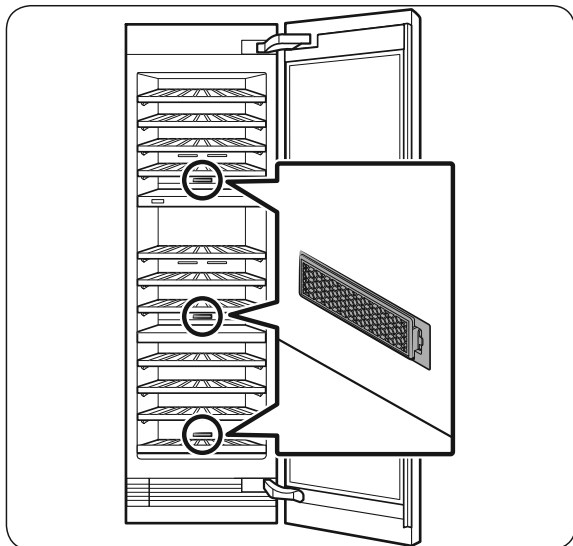


1. Retirez le casier à bouteilles.
2. Écartez légèrement les rails et soulevez la partie avant du casier pour le libérer des clips.
3. Tirez le casier à bouteilles pour le retirer.

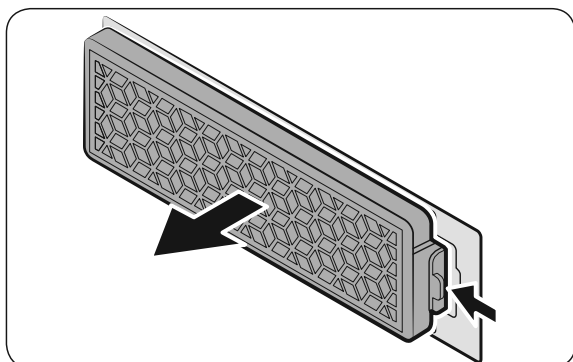
Opérations

Remplacement

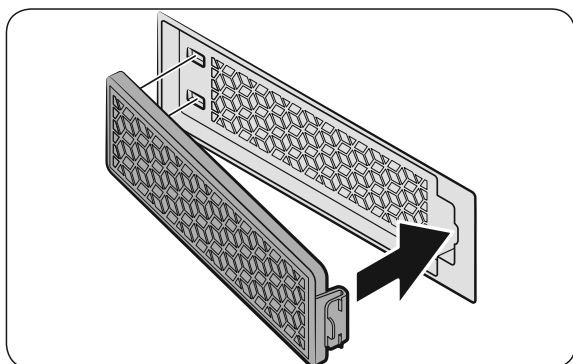
Filtre du désodorisant



- La conception générale et/ou les accessoires peuvent varier d'un modèle à un autre.



Pour le retirer, enlevez d'abord le casier à bouteilles pour accéder au filtre sur la paroi arrière. Pressez les languettes du filtre pour le déverrouiller et le retirer.



Pour insérer le filtre, insérez d'abord la partie arrière du filtre, puis poussez la partie avant pour verrouiller la position.

REMARQUE

Le cycle de vie du filtre du désodorisant est de 18 mois (peut varier selon les conditions d'utilisation). Vous pouvez acheter un nouveau filtre dans un centre de service Dacor local.

Éclairage par DEL

Pour remplacer les DEL de la cave à vins, contactez un fournisseur de service local. Contact Service client Dacor au (800) 793-0093.

AVERTISSEMENT

Les DEL ne peuvent pas être remplacées par l'utilisateur. N'essayez pas de remplacer une DEL par vous-même. Cette opération peut causer une électrocution.

Nettoyage et entretien

Nettoyage

AVERTISSEMENT

- Ne nettoyez pas le réfrigérateur avec du benzène, du diluant ou du nettoyant domestique/pour voiture comme Clorox™. Ces produits risquent d'endommager la surface de la cave à vin et de provoquer un incendie.
- Évitez de vaporiser de l'eau directement sur la cave à vin. Cela est susceptible de provoquer un choc électrique.

Retirez régulièrement toutes les substances étrangères telles que la poussière ou l'eau des fiches de la prise électrique et des points de contact à l'aide d'un chiffon sec.

1. Mettez la cave à vins hors tension.
2. Mouillez légèrement un chiffon doux non pelucheux ou une serviette en papier pour nettoyer l'intérieur et l'extérieur de la cave à vins.
3. Ensuite, utilisez un chiffon sec ou une serviette en papier pour bien sécher les surfaces.
4. Mettez la cave à vins sous tension.

Dépannage

Avant de contacter le service d'assistance, vérifiez les points ci-dessous. Tout appel d'assistance concernant des situations normales (pas de défaillances) sera facturé aux utilisateurs.

Généralités

Température

Symptôme	Causes possibles	Solution
La cave à vins ne fonctionne pas. La température de la cave à vins est élevée.	• Le cordon d'alimentation est mal branché.	• Branchez correctement le cordon d'alimentation.
	• Le contrôle de la température n'est pas réglé correctement.	• Abaissez la température.
	• La cave à vins se trouve à proximité d'une source de chaleur ou est en contact direct avec les rayons du soleil.	• Éloignez votre cave à vins de la lumière directe du soleil et de toute source de chaleur.
	• La cave à vins est surchargée. Les bouteilles bloquent les orifices d'aération de la cave à vins.	• Ne surchargez pas la cave à vins. Veillez à ce que les orifices d'aération ne soient pas bloqués par des bouteilles.
La cave à vins refroidit trop.	• Le contrôle de la température n'est pas réglé correctement.	• Augmentez la température.

Odeurs

Symptôme	Causes possibles	Solution
La cave à vins dégage des odeurs.	• Il peut s'agir de l'odeur de chêne naturel provenant du casier à bouteilles en bois.	• Nettoyez la cave à vins et laissez la porte ouverte quelques minutes. • Le cycle de vie du filtre du désodorisant est de 18 mois. Cette période peut varier selon les conditions d'utilisation.

Condensation

Symptôme	Causes possibles	Solution
De la condensation se forme sur les parois intérieures.	• Si la porte reste ouverte, de l'humidité entre dans la cave à vins.	• Éliminez l'humidité et n'ouvrez pas la porte pendant une période prolongée.

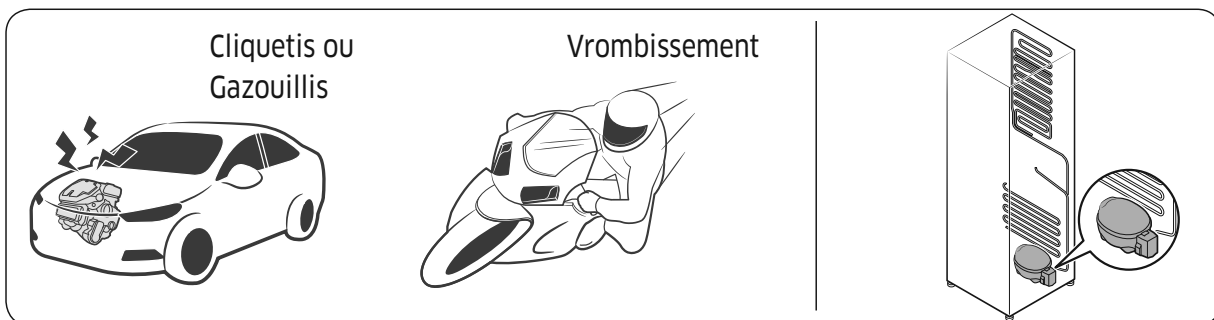
Dépannage

Bruits anormaux

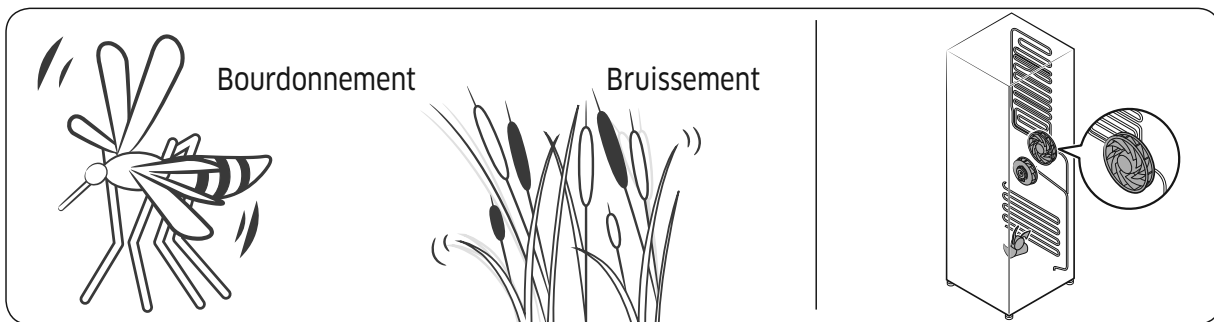
Avant de contacter le service d'assistance, vérifiez les points ci-dessous. Tout appel d'assistance concernant des sons normaux sera facturé aux utilisateurs.

Ces bruits sont normaux.

- Lorsque vous démarrez ou arrêtez une opération, la cave à vins peut émettre un son similaire à celui d'un moteur de voiture au démarrage. Ces bruits s'atténueront au fur et à mesure que l'opération se stabilise.



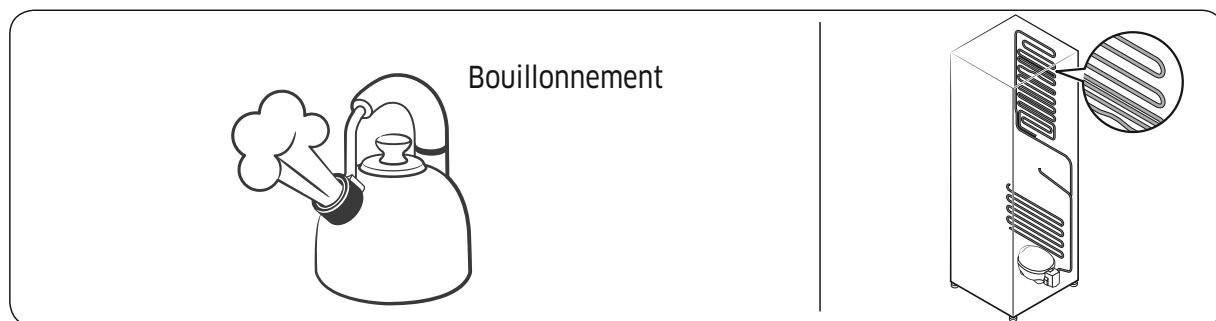
- Ces bruits peuvent être émis lorsque le ventilateur est en fonctionnement. Lorsque la cave à vins a atteint la température réglée, le ventilateur ne doit émettre aucun son.



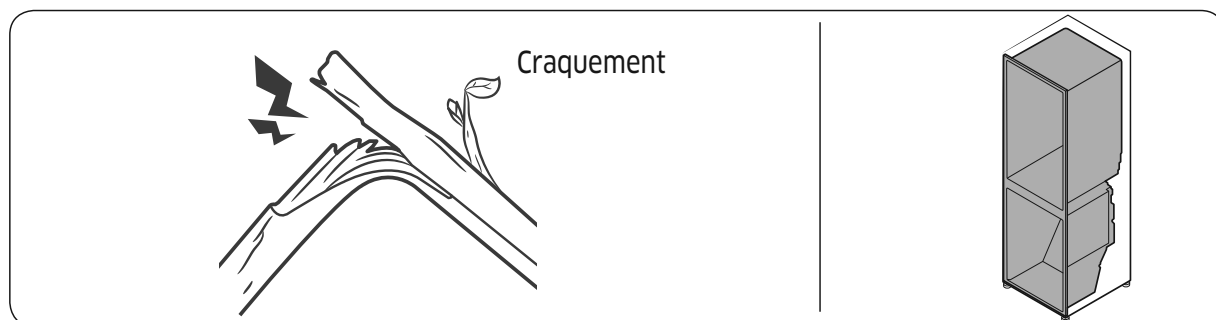
- Lors d'un cycle de dégivrage, de l'eau peut s'écouler sur le chauffage de dégivrage et provoquer un grésillement.



- Lorsque la cave à vins refroidit ou congèle, du gaz réfrigérant se déplace à travers les conduites et peut provoquer un bruit de bouillonnement.



- Lorsque la température de la cave à vins augmente ou diminue, les pièces en plastique se contractent et s'étirent, ce qui peut créer des bruits de cognement. Ces bruits se manifestent lors du cycle de dégivrage ou lorsque les pièces électroniques sont en fonctionnement.



- L'égalisation de la pression au moment de l'ouverture et de la fermeture de la porte de la cave à vins peut produire des bruits de souffle.

Dépannage

Ouverture automatique de la porte (OAP)

Symptôme	Action
L'ouverture automatique de la porte (OAP) ne fonctionne pas.	<ul style="list-style-type: none">• Activez le commutateur d'ouverture automatique de la porte. (le réglage d'usine est la désactivation)• Le système d'ouverture automatique de la porte ne fonctionne pas si la porte a été ouverte il y a moins d'une minute. Attendez une minute avant de réessayer de l'ouvrir.
Lors de la fermeture de la porte, l'autre porte s'ouvre (installation en duo).	<ul style="list-style-type: none">• Lorsque vous fermez la porte de l'une des caves à vins, la porte de l'autre cave à vins (installation par paire) risque de s'ouvrir. Cela se produit si le capteur de la porte de l'autre cave à vins se déclenche. Il ne s'agit pas d'une défaillance du système. La porte ouverte sera refermé dans un moment par le système de fermeture automatique.

SmartThings

Symptôme	Action
L'application « SmartThings » est introuvable sur le marché des applications.	<ul style="list-style-type: none">• L'application SmartThings est conçue pour Android 6.0 (Marshmallow) ou une version supérieure, pour iOS 10.0 ou une version supérieure et pour iPhone 6 ou une version supérieure. De plus, elle est optimisée pour les smartphones Samsung (séries Galaxy S et Galaxy Note).
L'application SmartThings ne fonctionne pas.	<ul style="list-style-type: none">• L'application SmartThings est disponible pour les modèles applicables uniquement.• L'ancienne application Samsung Smart Refrigerator ne peut pas se connecter à des modèles SmartThings.
L'application SmartThings est installée mais n'est pas connectée à mon réfrigérateur.	<ul style="list-style-type: none">• Vous devez vous connecter à votre compte Samsung pour pouvoir utiliser l'application.• Assurez-vous que votre routeur fonctionne normalement.• Assurez-vous que le Smart Home Adapter est correctement inséré.• Si l'icône de connexion Wi-Fi est éteinte sur l'écran du réfrigérateur, cela indique qu'aucune connexion au réseau n'a encore été établie. Dans ce cas, utilisez l'application SmartThings pour connecter et enregistrer votre réfrigérateur au point d'accès (PA/routeur) de votre maison.
Connexion à l'application impossible.	<ul style="list-style-type: none">• Vous devez vous connecter à votre compte Samsung pour pouvoir utiliser l'application.• Si vous n'avez pas de compte Samsung, suivez les instructions de l'application affichées à l'écran pour en créer un.
Un message d'information apparaît lorsque j'essaie d'enregistrer mon réfrigérateur.	<ul style="list-style-type: none">• La connexion au réseau peut échouer en raison de la distance par rapport au point d'accès (PA) ou d'interférences électriques provenant de l'environnement. Attendez un moment puis réessayez.
L'application SmartThings est bien connectée à mon réfrigérateur mais ne fonctionne pas.	<ul style="list-style-type: none">• Quittez puis relancez l'application SmartThings ou déconnectez et reconnectez le routeur.• Retirez le Smart Home Adapter puis reconnectez-le correctement. Puis, réessayez.

Garantie et service

Service client

Avant de demander de l'aide ou de programmer une réparation :

1. Essayez les solutions proposées dans le tableau Problème-Solution de la section « **Dépannage** ».
2. Prenez connaissance des conditions de garantie de votre produit.
3. Si aucun de ces conseils ou suggestions ne vous permet de résoudre votre problème, contactez notre centre d'assurance après-vente au numéro ci-dessous.

Le centre d'assurance après-vente de Dacor est joignable de 05 h 00 à 17 h 00 (heure du Pacifique).

Pour des questions ou des réparations sous garantie et pour le service différencié Dacor (DDS) aux États-Unis et au Canada

Téléphone : 833-35-ELITE (833-353-5483) États-Unis, Canada

Pour des questions ou des réparations hors garantie aux États-Unis et au Canada

Téléphone : (800) 793-0093, poste 2813

Contactez-nous via notre site Web accessible à l'adresse suivante :

www.dacor.com/customer-care/contact-us

Garantie

Que couvre-t-elle ?

CERTIFICAT DE GARANTIE POUR

CAVE À VINS DACOR

**DANS LES CINQUANTE ÉTATS DES ÉTATS-UNIS, DANS LE DISTRICT DE COLUMBIA ET AU CANADA :
PLEINE GARANTIE DE DEUX ANS**

La garantie ne s'applique que pour l'appareil Dacor vendu au premier utilisateur acheteur.

La garantie est également valable pour les produits achetés neufs auprès d'un distributeur homologué Dacor ou tout autre distributeur autorisé par Dacor.

À compter de la date figurant sur le reçu d'achat original ou de la date de règlement pour les nouvelles constructions, quelle que soit la période la plus longue.

- Garantie minimale de **60 jours**
- Pleine garantie de **2 ans**
- Garantie du système hermétique de **6 ans** : Pièces/main d'œuvre
- Garantie du système hermétique de **12 ans** : Pièces uniquement
- Garantie de **15 ans** pour le compresseur : Pièces uniquement

À l'exception des éléments précités, les pièces consommables, telles que les filtres et les ampoules, ne sont pas couvertes et sont donc sous la responsabilité de l'acheteur.

GARANTIE LIMITÉE

Trois à six ans après la date d'achat, lorsque cette cave à vins est utilisée et entretenue selon les instructions ou le guide d'entretien associés au produit, Dacor prendra à sa charge les pièces spécifiques d'usine et les frais de main d'œuvre pour les réparations pour corriger les défauts présents dans le matériel ou l'exécution du système de réfrigération hermétique. Les pièces concernées sont les suivantes : compresseur, évaporateur, condensateur, déshydrateur et tuyau de raccordement.

Sept à douze ans après la date d'achat, lorsque cette cave à vins est utilisée et entretenue selon les instructions ou le guide d'entretien associés au produit, Dacor prendra à sa charge les pièces spécifiques d'usine pour les composants suivants pour corriger les défauts présents dans le matériel ou l'exécution du système de réfrigération hermétique présents au moment de l'achat : compresseur, évaporateur, condensateur, déshydrateur et tuyau de raccordement.

Treize à quinze ans après la date d'achat, lorsque cette cave à vins est utilisée et entretenue conformément aux instructions ou au guide d'entretien associés au produit, Dacor prendra à sa charge les pièces spécifiées d'usine pour le compresseur pour corriger les défauts de pièces et main d'œuvre qui existaient lorsque cet appareil principal a été acheté.

LIMITATIONS DE LA COUVERTURE

L'assistance sera fournie par une entreprise de service désignée par Dacor pendant les heures d'ouverture normales. Veuillez noter que les prestataires de service sont des entités indépendantes et ne sont pas des agents de Dacor.

Les appareils d'exposition en magasin et installés en maison-témoin ayant une date de production remontant à plus de 5 ans, les produits vendus « sans garantie » ainsi que les produits installés pour une utilisation non résidentielle, incluant sans s'y limiter, les organisations religieuses, les casernes de pompiers, les chambres d'hôtes et les centres de remise en forme, disposent d'une garantie de pièces d'un an uniquement. Toute livraison, installation, tout frais de main d'œuvre et autre frais de service sera à la charge de l'acheteur.

Le propriétaire doit fournir un justificatif d'achat ou un relevé de clôture pour les nouvelles constructions sur demande. Tous les produits Dacor doivent être accessibles à des fins de service. Tout dommage superficiel (tel que des rayures sur l'acier inoxydable, des imperfections sur la porcelaine/peinture, etc.) constaté sur le produit ou les accessoires fournis doit être signalé à Dacor dans un délai de 60 jours à compter de la date d'achat originale pour être couvert par la garantie.

La garantie sera nulle et non avenue sur les produits altérés, déformés ou en cas d'étiquettes et de numéros de série manquants.

La garantie est nulle et non avenue si des produits non homologués CSA sont importés des États-Unis.

Garantie et service

EN DEHORS DES CINQUANTE ÉTATS DES ÉTATS-UNIS, DU DISTRICT DE COLUMBIA ET DU CANADA : GARANTIE LIMITÉE À UN AN

Si votre produit Dacor ne fonctionne pas durant la première année suivant la date originale d'achat en raison d'un défaut de matériel ou d'exécution, Dacor fournira une nouvelle pièce d'usine franco à bord pour remplacer la pièce défectueuse.

Toute livraison, installation, tout frais de main d'œuvre et autre frais de service sera à la charge de l'acheteur.

Que ne couvre-t-elle pas ?

- De légères variations de couleurs peuvent être constatées entre les pièces peintes, l'éclairage de la cuisine, le placement de produit, et autres facteurs ; cette garantie ne s'applique pas aux variations de couleurs.
- Les appels d'assistance pour conseiller le client sur la bonne utilisation et le bon entretien des produits.
- Les frais de service concernant un transport à destination d'îles ou de zones isolées, incluant sans s'y limiter les ferrys, les autoroutes à péage ou autres frais de transport.
- Les dommages généraux ou accessoires, incluant sans s'y limiter : perte d'aliments ou de médicaments, temps hors travail, repas en restaurants.
- Défaillance du produit en utilisation commerciale, en entreprise, en location, ou toute application autre qu'une utilisation client résidentielle.
- Défaillance du produit provoquée par une mauvaise installation du produit.
- Remplacement des fusibles, boîtiers à fusibles ou réinitialisation des disjoncteurs.
- Les dommages sur les produits causés par accident, par un départ de feu, une inondation, une coupure de courant, une saute de puissance ou cas de force majeure.
- Responsabilité établie pour des dommages sur l'environnement immédiat incluant le mobilier, les sols, les plafonds et autres structures ou objets situés autour du produit.
- Cassure, décoloration ou dommage sur le verre, les surfaces métalliques, les composants plastiques, la peinture ou les finitions causés par un(e) mauvais(e) utilisation, entretien, abus ou négligence.

Hors garantie

Si vous rencontrez un problème de service au-delà de la période standard de garantie, veuillez nous contacter.

Dacor examine chaque problème et question de ses clients pour leur fournir la meilleure solution possible selon les circonstances.

LES SOLUTIONS FOURNIES DANS LES GARANTIES EXPRESSES CI-DESSUS CONSTITUENT LES SOLUTIONS UNIQUES ET EXCLUSIVES. AINSI, AUCUNE AUTRE GARANTIE EXPRESSE N'EST FAITE, ET EN DEHORS DES CINQUANTE ÉTATS DES ÉTATS-UNIS, DU DISTRICT DE COLUMBIA ET DU CANADA, TOUTE GARANTIE IMPLICITE, INCLUANT SANS S'Y LIMITER TOUTE GARANTIE IMPLICITE DE COMMERCIALISATION ET D'ADAPTATION À UN USAGE OU À DES FINS PARTICULIERS, EST LIMITÉE À UNE DURÉE D'UN AN À COMPTER DE LA DATE ORIGINALE D'ACHAT. EN AUCUN CAS DACOR NE SERA TENUE RESPONSABLE DE FRAIS ACCESSOIRES OU DE DOMMAGES INDIRECTS. DANS LE CAS OÙ DACOR INTENTERAIT UNE ACTION EN JUSTICE, DACOR POURRA DEMANDER LE REMBOURSEMENT DE TOUS LES FRAIS ET DÉPENSES, INCLUANT LES FRAIS D'AVOCAT, AU CLIENT DACOR. AUCUNE GARANTIE, EXPRESSE OU IMPLICITE, N'EST FAITE À UN QUELCONQUE ACHETEUR POUR LA REVENTE.

Certains états n'autorisent pas les limitations de durée de garantie implicite, ou l'exclusion ou la limitation des dommages accidentels ou indirects. Dans pareil cas, les limitations ou exclusions spécifiées ci-dessus ne s'appliquent pas. Cette garantie vous confère des droits légaux spécifiques ; vous pouvez également avoir d'autres droits qui varient d'un État à l'autre.

Avis d'application de la réglementation

Norme FCC

MISE EN GARDE DE LA FCC :

Tout changement ou modification, non expressément approuvé par la partie responsable de la conformité, peut annuler l'autorisation de l'utilisateur à utiliser cet équipement.

Contient un Module émetteur FCC ID : A3LCWAM210S

Cet appareil est conforme aux exigences de la partie 15 du règlement de la FCC. Son utilisation est assujettie aux deux conditions suivantes :

- (1) Cet appareil ne doit pas causer de brouillages préjudiciables, et
- (2) Cet appareil doit absorber tout type d'interférence, y compris les interférences pouvant causer un fonctionnement non désiré.

Pour les produits offerts sur les marchés des États-Unis et du Canada, seuls les canaux 1 à 11 peuvent être utilisés.

Vous ne pouvez pas sélectionner d'autres canaux.

DÉCLARATION DE LA FCC :

Cet appareil a été testé et classé dans la catégorie des appareils numériques de classe B conformément avec la partie 15 du règlement de la FCC. Ces limites sont conçues pour fournir une protection raisonnable contre les interférences nuisibles dans une installation domestique.

Cet appareil génère, utilise et émet des fréquences radioélectriques et peut, en cas d'installation ou d'utilisation non conforme aux instructions, engendrer des interférences nuisibles au niveau des communications radio. Cependant, il se peut que des interférences se produisent dans une installation particulière. En cas d'interférences avec la réception radiophonique ou télévisuelle, qui peuvent être vérifiées en mettant l'équipement hors, puis sous tension, l'utilisateur peut tenter de résoudre le problème de l'une des façons suivantes :

- Réorienter ou repositionner l'antenne de réception
- Augmenter l'espacement entre l'équipement et le récepteur
- Brancher l'équipement à une prise se trouvant sur un circuit différent de celui auquel le récepteur est branché.
- Consulter le fournisseur ou un technicien en radio et télévision expérimenté pour obtenir de l'aide

DÉCLARATION DE LA FCC SUR L'EXPOSITION AUX IRRADIATIONS :

Cet équipement répond aux limites de la FCC sur l'exposition aux rayonnements établies pour un environnement non contrôlé.

Cet équipement doit être installé et utilisé à une distance minimale de 8 pouces (20 cm) entre le radiateur et votre corps. Cet appareil et ses antennes ne doivent pas être co-localisés ou fonctionner en conjonction avec toute autre antenne ou émetteur, sauf s'il/elle est conforme aux procédures relatives aux produits à émetteurs multiples de la FCC.

Norme IC

Contient un IC de module émetteur : 649E-CWAM210S

Le terme « IC » placé avant le numéro de certification pour les radiofréquences signifie seulement que les spécifications techniques d'Industry Canada ont été respectées. Son utilisation est assujettie aux deux conditions suivantes : (1) cet appareil ne doit pas provoquer d'interférence et (2) il doit absorber tout type d'interférence, y compris les interférences pouvant causer un fonctionnement non désiré.

Cet appareil numérique de classe B est conforme à l'ICES-003 (Canada).

Cet appareil numérique de la classe B est conforme à la norme NMB-003 du Canada.

Pour les produits offerts sur les marchés des États-Unis et du Canada, seuls les canaux 1 à 11 peuvent être utilisés. Vous ne pouvez pas sélectionner d'autres canaux.

DÉCLARATION D'IC SUR L'EXPOSITION AUX IRRADIATIONS :

Cet équipement répond aux limites de l'IC RSS-102 sur l'exposition aux rayonnements établies pour un environnement non contrôlé. Cet équipement doit être installé et utilisé à une distance minimale de 8 pouces (20 cm) entre le radiateur et votre corps. Cet appareil et ses antennes ne doivent pas être co-localisés ou fonctionner en conjonction avec toute autre antenne ou émetteur, sauf s'il/elle est conforme aux procédures relatives aux produits à émetteurs multiples de la FCC.

CONSERVEZ CES INSTRUCTIONS

Annonce de logiciel open source

Le logiciel inclus dans cet appareil contient un logiciel open source. Vous pouvez obtenir le code source complet correspondant pendant une période de trois ans après la sortie de la dernière version de cet appareil en adressant un e-mail à l'adresse suivante : <mailto:oss.request@samsung.com>.

Il est également possible d'obtenir le code source complet correspondant sur un support physique tel qu'un CD-ROM ; un coût minimal sera requis.

L'URL suivante http://opensource.samsung.com/opensource/SMART_AT_051/seq/0 renvoie à la page de téléchargement du code source et aux informations concernant la licence libre relative à cet appareil. Cette offre est valable pour quiconque ayant reçu cette information.



Mémo

dacor



DA68-03607F-01

dacor[®]

Manual del usuario

Cava incorporada

DRW24*

Contenido

Información importante	5
Antes de comenzar	5
Información sobre seguridad	6
Símbolos y advertencias de seguridad importantes:	7
Advertencia sobre la State of California Proposition 65 (solo EE.UU.)	7
Señales de advertencia importantes para el transporte y el emplazamiento	7
Advertencias muy importantes para la instalación	8
Precauciones para la instalación	10
Advertencias muy importantes para el uso	11
Precauciones de uso	14
Precauciones para la limpieza	15
Advertencias muy importantes para la eliminación de residuos	16
Uso previsto	16
Elementos incluidos	17
Partes internas, almacenamiento y estantes	17
Funcionamiento	19
Panel de control	19
SmartThings	24
Funciones especiales	27
Armado y desarmado del soporte para botella	32
Reemplazo	36
Cuidado y mantenimiento	38
Limpieza	38
Solución de problemas	39
General	39
Sonidos anormales	40
Apertura automática de la puerta (ADO)	42
SmartThings	43

Garantía y servicio	44
Atención al cliente	44
Garantía	44
Aviso regulatorio	48
Aviso de la FCC	48
Aviso de la IC	49
Aviso de código abierto	50



Estimado cliente:

Felicitaciones por haber adquirido este vanguardista producto Dacor®. Nuestra excepcional combinación de funciones, estilo y rendimiento nos convierten en The Life of the Kitchen™ y una excelente incorporación a su hogar.

Para familiarizarse con los controles, las funciones y el completo potencial de su nuevo electrodoméstico Dacor, lea detenidamente este manual de uso y cuidado, comenzando por la sección **Instrucciones importantes de seguridad**.

Todos los electrodomésticos Dacor se han diseñado y fabricado con la calidad y el orgullo que determina el marco de valores de nuestra empresa. Si se produjera algún problema con el producto, consulte en primer lugar la sección Solución de problemas de este manual. En ella encontrará sugerencias y soluciones útiles que puede seguir antes de llamar al servicio técnico.

La valiosa opinión de los clientes nos ayuda a mejorar constantemente nuestros productos y servicios, y por ello le rogamos que contacte con nuestro equipo de atención al cliente siempre que necesite asistencia con alguno de sus productos.

Dacor Customer Assurance Team
14425 Clark Avenue
City of Industry, CA 91745

Teléfono: 833-35-ELITE (833-353-5483) EE.UU., Canadá
Fax: (626) 403-3130
Horario: De lunes a viernes de 05:00 a.m. a 5:00 p.m. Hora del Pacífico
Sitio web: www.dacor.com/customer-care/contact-us

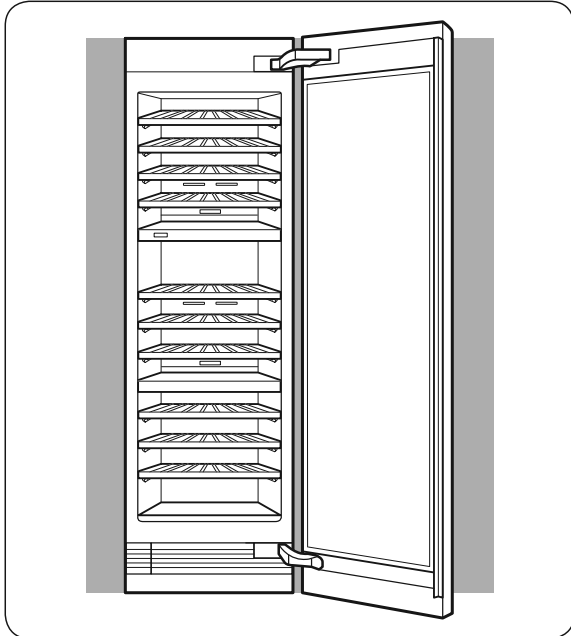
Gracias por elegir Dacor para su hogar. Somos una empresa formada por familias y para familias, y nuestra misión es servirlos. Estamos seguros de que su nuevo producto Dacor le ofrecerá un alto nivel de rendimiento y disfrute por muchos años.

Atentamente,

The Dacor Customer Assurance Team

Información importante

Antes de comenzar



- El diseño general y/o los accesorios pueden diferir dependiendo del modelo.

Instalador

- Conserve las instrucciones de uso y cuidado junto con el electrodoméstico.

Cliente

- Lea este manual de uso y cuidado en su totalidad antes de utilizar la cava. Guárdelo para futura referencia.

Conserve el recibo de compra o el cheque cancelado. Se requiere la prueba de compra original con fecha para recibir el servicio de garantía.

Tenga a mano la identificación completa del modelo y el número de serie.

Estos números se encuentran en una etiqueta en la pared interna de la cava. Escriba estos números a continuación para que pueda disponer de ellos fácilmente.

Número de modelo	
Número de serie	
Fecha de compra	

Mejoramos continuamente la calidad y el rendimiento de nuestros productos y es posible que realicemos cambios en el electrodoméstico sin actualizar el manual. Visite www.dacor.com para descargar la última versión de este manual.

Servicio de atención al cliente de Dacor

Teléfono: 5833-35-ELITE (833-353-5483) EE.UU., Canadá

De lunes a viernes de 05:00 a.m. a 5:00 p.m. Hora del Pacífico

Sitio web: www.dacor.com/customer-care/contact-us

Información sobre seguridad

- Antes de utilizar su nueva cava Dacor, lea detenidamente este manual a fin de aprender a usar las funciones que ofrece de manera segura y eficiente.
- Este electrodoméstico no debe ser utilizado por personas (incluidos niños) con capacidades mentales, sensoriales o físicas reducidas, o por personas que carezcan de experiencia y de conocimientos, a menos que se encuentren bajo supervisión o hayan recibido las instrucciones de uso por parte de un responsable de su seguridad. Se deberá vigilar a los niños para asegurarse de que no jueguen con el electrodoméstico.
- Debido a que las siguientes instrucciones corresponden a diversos modelos, es posible que las características de su cava difieran ligeramente de las que se describen en este manual.
- Es peligroso que una persona que no sea un técnico de servicio autorizado realice tareas de reparación en este aparato.
- Si el refrigerante sale por los tubos, este podría incendiarse o dañar los ojos. Si hay pérdida de refrigerante del tubo, manténgalo alejado de las llamas, aparte cualquier material inflamable del producto y ventile la habitación inmediatamente.
 - No seguir esta recomendación puede causar riesgos de incendio o explosión.

ADVERTENCIA

- Se utiliza R-600a como refrigerante. Este producto contiene gas inflamable (Refrigerante R-600a), comuníquese con las autoridades locales para desechar este producto en forma segura.
- Para evitar la creación de una mezcla de gas-aire inflamable en caso de una pérdida en el circuito del refrigerante, el tamaño del lugar en el que se coloca el refrigerador depende de la cantidad de refrigerante utilizado. El lugar debe tener 35.3 ft³ por cada 8 g de refrigerante R-600a en el electrodoméstico.
- La ubicación de instalación no debe estar expuesta a la luz solar directa ni cerca de ningún electrodoméstico o fuente de calor, tales como estufas, hornos u hornillas, radiadores, etc.
- Si coloca dos productos uno junto al otro, por razones de seguridad, asegúrese de utilizar productos certificados en atmósferas de gas explosivas.
- Nunca debe poner en marcha un electrodoméstico que presente signos de haber sido dañado. Si tiene alguna inquietud, consulte a su distribuidor.



Advertencia: riesgo de incendio/materiales inflamables

Símbolos y advertencias de seguridad importantes:

Sírvase seguir todas las instrucciones de seguridad del presente manual. En el presente manual se utilizan los siguientes símbolos de seguridad.

ADVERTENCIA

Riesgos o prácticas inseguras que pueden causar lesiones personales graves, daños a la propiedad y/o incluso la muerte.

PRECAUCIÓN

Riesgos o prácticas inseguras que pueden causar lesiones personales graves y/o daños materiales.

NOTA

Información útil que ayuda a los usuarios a comprender u obtener beneficios de la cava.

Estas señales de advertencia se incluyen aquí para evitar que usted o terceros sufran lesiones.

Sígalas atentamente.

Después de leer esta sección, consérvela en un lugar seguro para referencia futura.

Advertencia sobre la State of California Proposition 65 (solo EE.UU.)

ADVERTENCIA: Cáncer y afecciones reproductivas - www.P65Warnings.ca.gov.

Señales de advertencia importantes para el transporte y el emplazamiento

ADVERTENCIA

- Al transportar e instalar el electrodoméstico deberá tener cuidado de no dañar ninguna de las piezas del circuito del refrigerante.
 - La pérdida de refrigerante del tubo podría incendiarse o dañar los ojos. Si se detecta una fuga, manténgalo alejado de las llamas o de posibles fuentes de inflamación y ventile durante varios minutos el ambiente en el que se encuentra la unidad.
 - El electrodoméstico contiene una pequeña cantidad de refrigerante de isobutano (R-600a), un gas natural con alta compatibilidad ambiental, pero también inflamable.

Información sobre seguridad

Advertencias muy importantes para la instalación

ADVERTENCIA

- No instale la cava en un lugar húmedo o donde pueda entrar en contacto con agua.
 - El aislamiento deficiente de las piezas eléctricas puede provocar una descarga eléctrica o un incendio.
- No exponga esta cava a la luz solar directa ni al calor de estufas, calefactores u otros electrodomésticos.
- No enchufe varios electrodomésticos en la misma toma múltiple. La cava debe conectarse siempre a un tomacorriente individual cuyo voltaje nominal coincida con el que se especifica en la placa de voltaje de la cava.
 - De esta manera se obtiene el mejor desempeño y también se evita que se sobrecarguen los circuitos del cableado de la casa, lo que podría sobrecalentar los cables y provocar un riesgo de incendio.
- Si el tomacorriente está flojo, no conecte el enchufe.
 - Existe el riesgo de que se produzca una descarga eléctrica o un incendio.
- No utilice un cable de alimentación que esté dañado o gastado en su extensión o en cualquiera de los extremos.
- No doble excesivamente el cable de alimentación ni coloque objetos pesados sobre él.
- No tire del cable de alimentación ni lo doble excesivamente.
- No retuerza ni amarre el cable de alimentación.
- No coloque el cable de alimentación sobre un objeto metálico, no lo coloque entre objetos ni lo empuje hacia el espacio que hay detrás del electrodoméstico.
- Nunca desenchufe la cava jalando el cable de alimentación. Siempre sostenga el enchufe con firmeza y jale para extraerlo del tomacorriente.
 - Los daños al cable pueden provocar un cortocircuito, un incendio o una descarga eléctrica.
- No almacene sustancias explosivas como latas de aerosoles con gases propelentes inflamables en este electrodoméstico.
- No instale este electrodoméstico cerca de calefactores o materiales inflamables.
- No instale este electrodoméstico en un lugar donde pueda haber fugas de gas.
 - Esto podría causar una descarga eléctrica o un incendio.
- Antes de usarse, la cava debe ubicarse e instalarse de manera apropiada de acuerdo con las instrucciones de este manual.
- Conecte el enchufe en la posición correcta con el cable colgando hacia abajo.
 - Si conecta el enchufe al revés, el cable puede cortarse y provocar un incendio o una descarga eléctrica.
- Asegúrese de que el enchufe no esté aplastado ni haya sido dañado por la parte posterior de la cava.

- Mantenga los materiales de empaque fuera del alcance de los niños.
 - Existe el riesgo de muerte por asfixia si un niño se coloca los materiales de empaque en la cabeza.
- El electrodoméstico debe colocarse de manera tal que se pueda acceder al enchufe después de la instalación.
 - No seguir esta recomendación puede causar una descarga eléctrica o un incendio debido a una fuga de electricidad.
- No instale este electrodoméstico en un lugar húmedo, engrasado o sucio, o en un sitio con exposición directa al sol o al agua (lluvia).
 - El aislamiento deficiente de las piezas eléctricas puede provocar una descarga eléctrica o un incendio.
- Si ingresaran grandes cantidades de polvo o agua a la cava, apague el interruptor de encendido y comuníquese con el Centro de Servicio de Dacor.
 - Si no lo hace, existe el riesgo de que se produzca un incendio.
- Es necesario quitar toda la película plástica protectora antes de enchufar el producto por primera vez.
- Se deberá vigilar a los niños para asegurarse de que no jueguen con los anillos elásticos utilizados para el ajuste de la puerta o con las grapas del tubo de agua.
 - Existe riesgo de muerte por asfixia si un niño se traga un anillo elástico o una grapa del tubo de agua. Mantenga los anillos elásticos y las grapas del tubo de agua fuera del alcance de los niños.
- La cava debe estar conectado a tierra de manera segura.
 - Siempre asegúrese de haber conectado la cava a tierra antes de intentar examinar o reparar alguna pieza. Las fugas de energía pueden provocar una descarga eléctrica grave.
- Nunca utilice como conexión a tierra tubos de gas, líneas telefónicas ni otras posibles fuentes de atracción de rayos.
 - La cava debe estar conectado a tierra para evitar cualquier fuga de energía o descarga eléctrica provocada por fugas de corriente de la cava.
 - Esto podría causar descargas eléctricas, incendios, explosiones o problemas con el producto.
 - El uso inapropiado de la conexión a tierra puede traer como consecuencia un riesgo de descarga eléctrica. Si necesita usar un cable de extensión, use solo uno de tres hilos con un enchufe que tenga una tercera punta para el polo a tierra; la toma de corriente deberá tener 3 ranuras para adaptarse al enchufe del electrodoméstico. La potencia indicada en el cable de extensión debe ser CA 115-120 V, 10 A o superior. Si se utiliza un adaptador de tierra, asegúrese de que el receptáculo esté conectado correctamente a tierra.
- Conecte bien el enchufe al tomacorriente. No utilice enchufes o cables de alimentación dañados ni enchufes de pared flojos.
 - Esto podría causar una descarga eléctrica o un incendio.
- Si el cable de alimentación está dañado, solicite su reemplazo de inmediato al fabricante o a uno de los agentes de servicio técnico.

Información sobre seguridad

- Únicamente un técnico calificado o compañía de reparaciones debe estar autorizado para cambiar el fusible de la cava.
 - No seguir esta recomendación, podría causar una descarga eléctrica o lesiones.
- Debe poder accederse a la toma de pared con facilidad para que el electrodoméstico pueda desenchufarse rápidamente en caso de emergencia.
- Debe encontrarse fuera de la zona trasera del electrodoméstico.
- Cuando instale el electrodoméstico, asegúrese de que el cable de alimentación no esté atrapado ni dañado.
- No ubique varias regletas de tomacorrientes portátiles o unidades de alimentación móviles en la parte trasera del electrodoméstico.
- Mantenga las aberturas de ventilación del gabinete o estructura incorporada del electrodoméstico libres de obstrucciones.

Precauciones para la instalación

PRECAUCIÓN

- Deje espacio suficiente alrededor de la cava e instálelo sobre una superficie plana.
 - Mantenga libre de obstáculos el espacio de ventilación en el gabinete o la estructura de montaje del electrodoméstico.
- Una vez que haya instalado la cava y lo haya encendido, permita que funcione durante 2 horas antes de cargarla de vinos.
- Se recomienda que la cava sea instalada por un técnico calificado o una compañía de servicios.
 - No seguir esta recomendación puede causar descargas eléctricas, incendios, explosiones, problemas con el producto o lesiones.

Advertencias muy importantes para el uso

ADVERTENCIA

- No conecte el enchufe en un tomacorriente con las manos mojadas.
 - Esto podría causar una descarga eléctrica.
- No coloque objetos en la parte superior de la unidad.
 - Cada vez que abra o cierre la puerta, estos podrían caerse y provocar lesiones personales o daños materiales.
- No coloque las manos, los pies ni objetos metálicos (como palillos, etc.) en la parte inferior o posterior de la cava.
 - Esto podría causar una descarga eléctrica o lesiones personales.
 - Algunos bordes filosos podrían provocar lesiones personales.
- No coloque un recipiente con agua sobre la cava.
 - Si se derrama, existe el riesgo de que se produzca un incendio o una descarga eléctrica.
- No almacene sustancias u objetos volátiles o inflamables (benceno, solvente, gas propano, alcohol, éter, gas LP ni cualquier otro producto de este tipo) en la cava.
 - Esta cava se debe utilizar solo para almacenar vinos.
 - Esto podría causar un incendio o una explosión.
- Se deberá vigilar a los niños para asegurarse de que no jueguen con el electrodoméstico.
 - Aleje los dedos de los puntos de agarre. Los espacios entre las puertas y el gabinete son inevitablemente pequeños. Abra las puertas con cuidado si hay niños cerca.
- No permita que los niños se cuelguen de la puerta. Pueden producirse lesiones graves.
- No permita que los niños ingresen a la cava. Podrían quedar atrapados.
- No coloque las manos debajo del electrodoméstico.
 - Es posible que algunas puntas filosas le provoquen lesiones.
- No almacene en la cava productos farmacéuticos, materiales científicos ni productos sensibles a la temperatura.
 - No se deben almacenar en la cava productos que requieran controles estrictos de temperatura.
- No coloque ni utilice aparatos eléctricos dentro de la cava, a menos que sean del tipo recomendado por el fabricante.
- En caso de sentir olor a humo, apague el interruptor de encendido de inmediato y comuníquese con el Centro de Servicio de Dacor.
- Si ingresaran grandes cantidades de polvo o agua a la cava, apague el interruptor de encendido y comuníquese con el Centro de Servicio de Dacor.
 - Si no lo hace, existe el riesgo de que se produzca un incendio.
- No deje abierta la puerta de la cava si no está siendo vigilada y no permita que los niños ingresen en la cava.
 - Esto puede provocar muerte por asfixia debido al encierro o lesiones personales.

Información sobre seguridad

- No sobrecargue la cava con vinos.
 - Cuando abra la puerta, algún elemento podría caerse y provocar lesiones personales o daños materiales.
- No pulverice material volátil, tal como un insecticida, sobre la superficie del electrodoméstico.
 - Además de ser perjudicial para los seres humanos, puede causar una descarga eléctrica, un incendio o problemas con el producto.
- No utilice ni coloque ninguna sustancia sensible a la temperatura, tales como pulverizadores inflamables, objetos inflamables, hielo seco, medicamentos o productos químicos, cerca o dentro de la cava.
- No utilice un secador de cabello para secar el interior de la cava. No coloque velas encendidas en la cava para eliminar los malos olores.
 - Esto podría causar una descarga eléctrica o un incendio.
- No utilice dispositivos mecánicos ni cualquier otro medio para acelerar el proceso de descongelamiento que no sean aquellos recomendados por el fabricante.
- No dañe el circuito del refrigerante.
- Si se detecta una fuga de gas, evite las llamas o posibles fuentes de ignición y ventile durante varios minutos la habitación en la que se encuentra el electrodoméstico.
 - No toque el electrodoméstico ni el cable de alimentación.
 - No utilice un ventilador.
 - Una chispa puede provocar una explosión o un incendio.
- Utilice solamente lámparas LED proporcionadas por el fabricante o sus agentes de servicio técnico.
- No intente reparar, desensamblar ni modificar la cava por su cuenta.
 - Las modificaciones que no han sido autorizadas pueden provocar problemas de seguridad. Para revertir una modificación no autorizada, cobraremos el costo completo de las piezas y mano de obra.
- No utilice ningún fusible (tales como los de alambres de acero, de cobre, etc.) que no sea un fusible estándar.
- Si es necesario reparar o volver a instalar la cava, comuníquese con su Centro de Servicio más cercano.
 - No seguir esta recomendación puede causar una descarga eléctrica, un incendio, problemas con el producto o lesiones.
- Si la lámpara LED interior o exterior se ha apagado, comuníquese con su Centro de Servicio Dacor más cercano.
- En caso de sentir olor a quemado o a humo en la cava, desenchúfela de inmediato y comuníquese con un Centro de Servicio Dacor.
 - No seguir esta recomendación podría causar una descarga eléctrica o un incendio.
- Desenchufe la cava antes de cambiar las lámparas internas.
 - Si no lo hace, existe el riesgo de que se produzca una descarga eléctrica.

-
- Si le resulta difícil cambiar una luz que no sea de LED, comuníquese con un Centro de Servicio de Dacor.
 - Si el producto cuenta con lámparas LED, no desensamble las cubiertas de la lámpara y las lámparas LED usted mismo.
 - Comuníquese con un Centro de Servicio Dacor.
 - Conecte bien el enchufe al tomacorriente.
 - No utilice enchufes o cables de alimentación dañados ni enchufes de pared flojos.
 - Esto podría causar una descarga eléctrica o un incendio.
 - No exponga los accesorios internos, como los estantes para botellas, presentadores de botellas y estantes a la luz solar directa por periodos prolongados.

Información sobre seguridad

Precauciones de uso

PRECAUCIÓN

- Para obtener el mejor desempeño del producto:
 - No coloque vinos muy cerca de las rejillas de ventilación en la parte posterior de la cava, ya que pueden obstruir la libre circulación del aire en el compartimiento de la cava.
- Garantía de servicio y modificación.
 - El servicio de garantía de Dacor no cubre los cambios o las modificaciones realizadas por un tercero a este electrodoméstico; Dacor tampoco es responsable de los problemas relacionados con la seguridad que puedan surgir a causa de modificaciones hechas por terceros.
- No obstruya las rejillas de ventilación dentro de la cava.
 - Si las rejillas de ventilación están tapadas, en particular con una bolsa de plástico, la cava se puede sobrecongelar.
- Si se desenchufa la cava, espere al menos cinco minutos antes de volver a enchufarlo.
- Si ingresaran grandes cantidades de agua a la cava, apague el interruptor de encendido y comuníquese con un Centro de Servicio de Dacor.
- No golpee ni aplique una fuerza excesiva sobre ninguna superficie de vidrio.
 - Un vidrio roto puede causar lesiones personales o daños materiales.
- Si la cava se inunda, desconecte la alimentación de la cava y comuníquese con el centro de servicios Dacor más cercano.
 - Existe el riesgo de que se produzca una descarga eléctrica o un incendio.

Precauciones para la limpieza

PRECAUCIÓN

- No pulverice con agua directamente dentro o fuera de la cava.
 - Existe el riesgo de que se produzca un incendio o una descarga eléctrica.
- No utilice un secador de cabello para secar el interior de la cava.
- No coloque velas encendidas en la cava para eliminar los malos olores.
 - Esto podría causar una descarga eléctrica o un incendio.
- No rocíe productos de limpieza directamente sobre el visor.
 - Las letras impresas en el visor pueden borrarse.
- Si cualquier sustancia extraña, tal como agua, ingresa en el refrigerador, desenchúfelo y comuníquese con su Centro de Servicio más cercano.
 - No seguir esta recomendación podría causar una descarga eléctrica o un incendio.
- Use un paño seco y limpio para retirar cualquier sustancia extraña o polvo de las clavijas del enchufe. No utilice un paño mojado ni húmedo para limpiar el enchufe.
 - De lo contrario, existe el riesgo de que se produzca un incendio o una descarga eléctrica.
- No limpie el refrigerador rociando agua directamente sobre él.
- No limpie la cava con benceno, disolvente o Clorox (blanqueador).
 - Pueden dañar la superficie del electrodoméstico y provocar un incendio.
- Nunca coloque los dedos ni otros objetos en la salida del dispensador.
 - Puede provocar lesiones personales o daños materiales.
- Antes de limpiar o realizar el mantenimiento, desenchufe el refrigerador del enchufe de pared.
 - No seguir esta recomendación podría causar una descarga eléctrica o un incendio.

Información sobre seguridad

Advertencias muy importantes para la eliminación de residuos

ADVERTENCIA

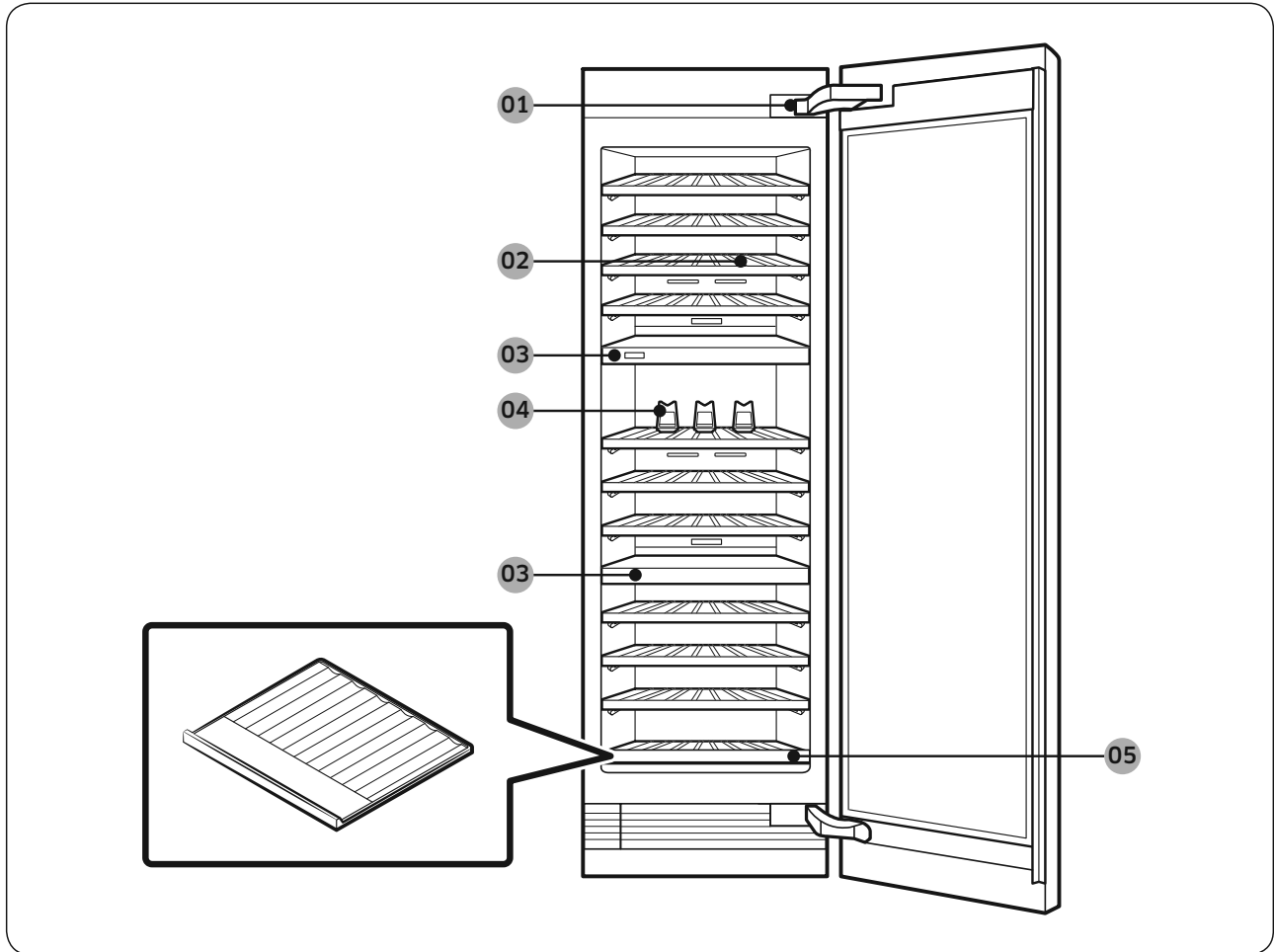
- **PELIGRO** : Existe el riesgo de que los niños queden encerrados. Antes de desechar su antigua cava.
 - Retire las puertas y los pestillos.
 - Deje los estantes en su lugar de manera tal que los niños no puedan trepar fácilmente.
 - Si algún niño queda atrapado dentro de la cava, puede lastimarse o asfixiarse hasta morir.
- Deseche el material de empaque de este producto de forma tal que no resulte nocivo para el medio ambiente.
- Asegúrese de que ninguno de los tubos que se encuentran detrás de la cava estén dañados antes de desecharla.
- Se utiliza R-600a como refrigerante. Este producto contiene gas inflamable (Refrigerante R-600a), comuníquese con las autoridades locales para desechar este producto en forma segura.
- Se utiliza ciclopentano como aislante. Los gases del material de aislamiento requieren un procedimiento especial para desecharlos. Comuníquese con las autoridades locales para desechar este producto de manera que no resulte nocivo para el medio ambiente.
- Mantenga los materiales de empaque fuera del alcance de los niños, ya que pueden ser peligrosos para ellos.
 - Si un niño se coloca una bolsa en la cabeza, puede asfixiarse.

Uso previsto

- zonas de cocina de tiendas, oficinas y otros entornos de trabajo;
- granjas y zonas de uso de los clientes en hoteles, moteles u otros entornos de tipo residencial;
- hospederías;
- banqueterías y eventos en instalaciones no minorista similares.
- Este electrodoméstico fue diseñado para ser usado a una altitud que no supere los 2000 metros sobre el nivel del mar.

Elementos incluidos

Partes internas, almacenamiento y estantes



Elementos incluidos

01 Interruptor de encendido, interruptor de apertura automática de la puerta

02 Estantes para vinos

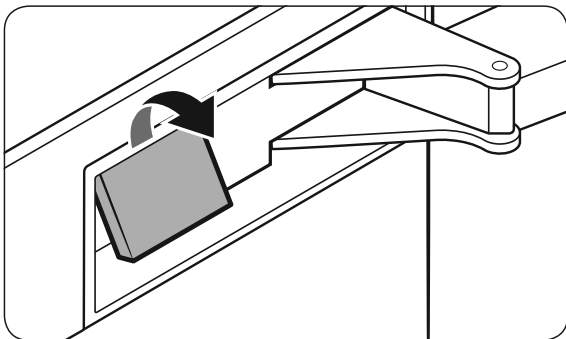
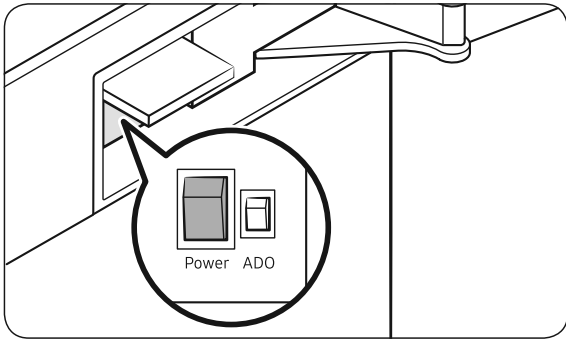
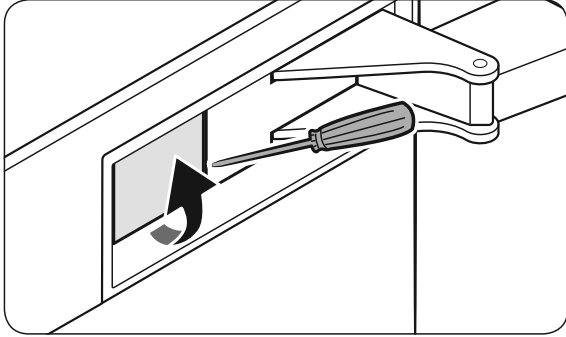
03 Panel de control y pared de compartimentos

04 Presentador de botellas

05 Estante inferior para botellas

Elementos incluidos

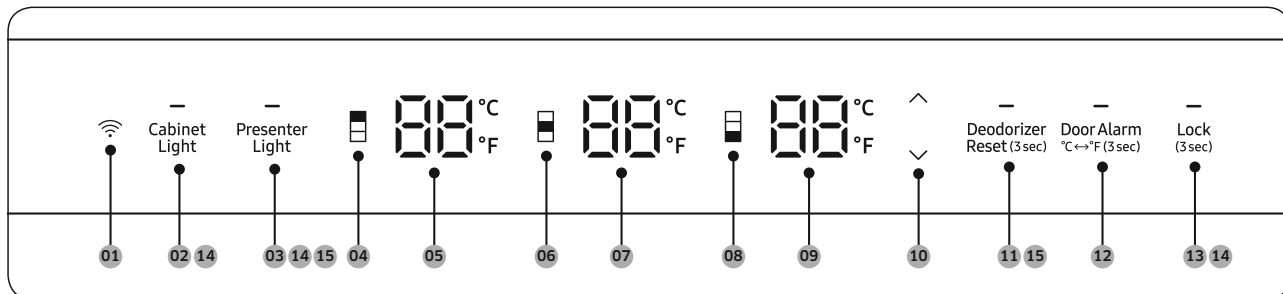
Caja de conexiones



- Utilice un destornillador de punta plana para abrir la cubierta de la caja de conexiones.
- La conexión negra es el interruptor de encendido, mientras que la conexión roja que está a su lado es el interruptor de apertura automática de la puerta.
- Cierre la cubierta de la caja de conexiones.

Funcionamiento

Panel de control



- | | |
|---|--|
| 01 Conexión de red | 02 Cabinet Light (Luz del gabinete) |
| 03 Presenter Light (Luz del presentador) | 04 Selección de la zona superior |
| 05 Temperatura de la zona superior | 06 Selección de la zona media |
| 07 Temperatura de la zona media | 08 Selección de la zona inferior |
| 09 Temperatura de la zona inferior | 10 Control de temperatura |
| 11 Deodorizer Reset (3 sec)
(Restablecer el desodorizador (3 seg.)) | 12 Door Alarm / °C↔°F (3 sec)
(Alarma de la puerta / °C↔°F (3 seg.)) |
| 13 Lock (3 sec) (Bloqueo (3 seg.)) | 14 Enfriamiento desactivado |
| 15 Modo Shabat | |

NOTA

- Cuando cambia la temperatura en el panel, este muestra la temperatura actual, que cambiará gradualmente de acuerdo a la temperatura interna hasta que se alcance el valor deseado. Tenga en cuenta que la cava necesita un tiempo para alcanzar la nueva temperatura. Esto es normal. No es necesario establecer la temperatura deseada solo porque la pantalla no muestre dicha temperatura.
- Si no se presiona ningún botón durante 10 segundos una vez desactivado el bloqueo, la pantalla se apagará con excepción del botón Lock (Bloqueo), todos los botones de selección de zona y las pantallas de temperatura de zona.
- Si el panel de control acumula humedad o líquido en la superficie, es posible que no funcione. Seque la humedad o el líquido con un paño seco y vuelva a intentarlo.
- Cuando la puerta se cierra, se apagan todos los botones de selección de zona y las pantallas de temperatura de zona y toda la pantalla se apagará después de 10 minutos.

Funcionamiento

01 Conexión de red

Puede controlar y supervisar su cava mediante la aplicación SmartThings. Para obtener más información, consulte la sección **SmartThings**.

NOTA

- Los sistemas de encriptación recomendados incluyen WPA/TKIP y WPA2/AES. No se admiten protocolos de autenticación Wi-Fi más nuevos o no estandarizados.
- Las redes inalámbricas pueden verse afectadas por los entornos de comunicación inalámbrica circundantes.
- Si su proveedor de servicios de Internet ha registrado la dirección MAC de su computadora o módem para identificación, su cava Dacor Smart puede dar error al conectarse a Internet. Si esto ocurre, comuníquese con su proveedor de servicios de Internet para recibir asistencia técnica.
- La configuración de firewall de su sistema de red puede impedir que su cava Dacor acceda a Internet. Comuníquese con su proveedor de servicios de Internet para recibir asistencia técnica. Si el síntoma persiste, comuníquese con un centro de servicios Dacor local o el minorista.
- Para configurar el punto de acceso (PA) inalámbrico, consulte el manual de usuario del PA:
- Las cava Dacor son compatibles con Wi-Fi 2.4 GHz con los protocolos IEEE 802.11 b/g/n y Soft-AP (se recomienda IEEE 802.11 n).
- Los enrutadores Wi-Fi no autorizados pueden no conectarse con las cavas Dacor correspondientes.


02 Cabinet Light (Luz del gabinete)

Presione para ajustar la luz del gabinete. Puede optar entre 4 niveles diferentes (Apagada, 1-3).

NOTA

La luz del gabinete está configurada en el nivel 3 (brillo) como predeterminada de fábrica.

03 Presenter Light (Luz del presentador)

Presenter Light (Luz del presentador)	Presione para ajustar la luz del presentador. Puede optar entre 4 niveles diferentes (Apagada, 1-3).  NOTA La luz del presentador está configurada como apagada como predeterminada de fábrica.
--	---

04 Selección de la zona superior

Selección de la zona superior	Presione este botón y luego utilice los botones de Control de temperatura para ajustar la temperatura de la zona superior entre 40 °F y 65 °F (4 °C y 18 °C).
-------------------------------	--

05 Temperatura de la zona superior

Temperatura de la zona superior	Muestra la temperatura de la Zona superior. La temperatura configurada aparecerá al ajusta la temperatura de la zona superior.
---------------------------------	---

06 Selección de la zona media

Selección de la zona media	Presione este botón y luego utilice los botones de Control de temperatura para ajustar la temperatura de la zona media entre 40 °F y 65 °F (4 °C y 18 °C).
----------------------------	---

07 Temperatura de la zona media

Temperatura de la zona media	Muestra la temperatura de la zona media. La temperatura configurada aparecerá al ajusta la temperatura de la zona media.
------------------------------	---


08 Selección de la zona inferior

Selección de la zona inferior	Presione este botón y luego utilice los botones de Control de temperatura para ajustar la temperatura de la zona inferior entre 40 °F y 65 °F (4 °C y 18 °C).
-------------------------------	--

09 Temperatura de la zona inferior

Temperatura de la zona inferior	Muestra la temperatura de la zona inferior.. La temperatura configurada aparecerá al ajusta la temperatura de la zona inferior.
---------------------------------	--

10 Control de temperatura

Control de temperatura	<p>Presione \wedge o \vee para incrementar o disminuir la temperatura configurada para la zona seleccionada.</p> <p>Puede configurar la temperatura entre 0 °F y 65 °F (4 °C y 18 °C) de a 1 °F (1 °C).</p> <p>Si mantiene presionado el botón durante más de 2 segundos, la temperatura aumentará o disminuirá hasta que lo suelte.</p> <p> NOTA</p> <p>Si presiona estos botones sin seleccionar la zona (superior, media o inferior) la temperatura no cambia y los botones de selección de zona titilan.</p>
------------------------	--

Funcionamiento

11 Deodorizer Reset (3 sec) (Restablecer el desodorizador (3 seg.))

Deodorizer Reset (Restablecer el desodorizador)	Después de aproximadamente 18 meses de utilizar el filtro desodorizador original, el indicador de filtro titila en rojo para recordarle que debe cambiarlo. Si esto ocurre, reemplace el filtro y luego mantenga presionado Deodorizer Reset (Restablecer el desodorizador) durante 3 segundos. La vida útil del filtro se restablecerá y el indicador de filtro se apaga.
---	---

12 Door Alarm / °C ↔ °F (3 sec) (Alarma de la puerta / °C ↔ °F (3 seg.))

Door Alarm (Alarma de la puerta)	Puede activar o desactivar la alarma presionando Door Alarm (Alarma de la puerta) . Cuando la alarma de la puerta está activada y la puerta queda abierta durante más de 2 minutos, suena la alarma y el indicador titila. La función de alarma de la puerta está activada como valor de fábrica.
°C ↔ °F	Puede utilizar el botón Door Alarm (Alarma de la puerta) para modificar la escala de temperatura de Celsius a Fahrenheit. Para cambiar la escala de temperatura, mantenga presionado Door Alarm (Alarma de la puerta) durante 3 segundos.

NOTA

Si la puerta queda abierta durante más de 10 minutos, la lámparas LED se apagarán.

13 Lock (3 sec) (Bloqueo (3 seg.))

Lock (Bloqueo)	A fin de evitar el cambio accidental de los valores, mantenga presionado Lock (Bloqueo) por 3 segundos. El panel principal se desactiva y el indicador de bloqueo (—) se enciende. Si presiona cualquier botón mientras el Bloqueo se encuentra activado, el indicador titilará. Si vuelve a mantener presionado el botón por más de 3 segundos, el bloqueo se desactiva. No obstante, el bloqueo se reactiva si no se toca ningún botón durante 1 minuto.
----------------	---

14 Enfriamiento desactivado

El modo de enfriamiento desactivado (también llamado modo Tienda), está diseñado para que lo usen los distribuidores cuando exhiben las cavas en las tiendas.

En el modo de enfriamiento desactivado, el motor del ventilador y las luces funcionan normalmente, pero los compresores no lo hacen, por lo que la cava no se enfría.

- Para ingresar al modo de enfriamiento desactivado, mantenga presionados **Cabinet Light (Luz del gabinete)**, **Presenter Light (Luz del presentador)** y **Lock (Bloqueo)** simultáneamente durante 5 segundos. Suena la señal sonora del refrigerador y el indicador de temperatura muestra "oF".
- Para salir al modo de enfriamiento desactivado, mantenga presionados nuevamente **Cabinet Light (Luz del gabinete)**, **Presenter Light (Luz del presentador)** y **Lock (Bloqueo)** simultáneamente durante 5 segundos. Suena la señal sonora del refrigerador y el indicador de temperatura muestra la temperatura actual.

NOTA

Si el indicador del bloqueo está encendido, antes debe desactivar el bloqueo.

15 Modo Shabat

El modo Shabat permanece activo por 85 horas una vez activado. Luego, se desactiva automáticamente.

- Para activarlo, mantenga presionados **Presenter Light (Luz del presentador)** y **Deodorizer Reset (Restablecer el desodorizador)** al mismo tiempo durante 5 segundos. Luego la cava funciona en el modo Shabat, en el que los botones, la pantalla y las luces ambientales están bajo control.
- Para desactivarlo, presione y mantenga presionados nuevamente los botones durante 5 segundos.

NOTA

- Si el indicador del bloqueo está encendido, antes debe desactivar el bloqueo.
- Aunque la cava se apague y se reinicie, el modo Shabat permanece activo. Para salir, antes debe desactivar el modo Shabat.

Funcionamiento

SmartThings

Instalación

Visite Google Play Store, Galaxy Apps o Apple App Store y busque “SmartThings”. Descargue e instale la aplicación SmartThings provista por Samsung Electronics en su dispositivo inteligente.

NOTA

- La aplicación SmartThings está diseñada para Android 6.0 (Marshmallow) o posterior, iOS 10.0 o posterior, iPhone 6 o posterior, y está optimizada para teléfonos inteligentes Samsung (series Galaxy S y Galaxy Note).
- Para obtener un desempeño mejorado, la aplicación SmartThings estará sujeta a cambios sin previo aviso o a la interrupción del soporte según la política del fabricante.
- Los sistemas de encriptación recomendados incluyen WPA/TKIP y WPA2/AES. No se admiten protocolos de autenticación Wi-Fi más nuevos o no estándar.
- Las redes inalámbricas pueden verse afectadas por los entornos de comunicación inalámbrica circundantes.
- Si su proveedor de servicios de Internet ha registrado la dirección MAC de su computadora o módem para identificación, su cava Samsung Smart puede dar error al conectarse a Internet. Si esto ocurre, comuníquese con su proveedor de servicios de Internet para recibir asistencia técnica.
- La configuración de firewall de su sistema de red puede impedir que su cava Samsung Smart acceda a Internet. Comuníquese con su proveedor de servicios de Internet para recibir asistencia técnica. Si el síntoma persiste, comuníquese con un centro de servicios Samsung local o el minorista.
- Para configurar el punto de acceso (PA) inalámbrico, consulte el manual de usuario del PA (enrutador).
- Las cavas cava Samsung Smart son compatibles con Wi-Fi 2.4 GHz con los protocolos IEEE 802.11 b/g/n y Soft-AP. (Se recomienda IEEE 802.11 n.)
- Los enrutadores Wi-Fi no autorizados pueden no conectarse con las cavas Samsung Smart correspondientes.

Cuenta Samsung

Debe registrarse con una cuenta Samsung para utilizar la aplicación. Si no tiene una cuenta Samsung, siga las instrucciones en pantalla de la aplicación para crear una cuenta Samsung.

Cómo comenzar

1. Encienda el dispositivo que desea conectar, abra la aplicación SmartThings en su teléfono y siga las instrucciones que figuran a continuación.
2. Si aparece un mensaje emergente que indica que se encontró un nuevo dispositivo, toque **ADD NOW (AGREGAR AHORA)**.
3. Si no aparece el mensaje, toque el botón **+** y, en la lista de dispositivos disponibles, seleccione el dispositivo que desea conectar.
4. Si su dispositivo no se encuentra en la lista de dispositivos disponibles, toque **Supported Devices (Dispositivos admitidos)**, seleccione el tipo de dispositivo (Cava) y luego el modelo del dispositivo específico.
5. Siga las instrucciones de la aplicación para configurar el dispositivo. Una vez completada la configuración, la cava aparecerá como una "ficha" en la pantalla Devices (Dispositivos).

Aplicación de la cava

Control integrado

Puede supervisar y controlar su cava en su casa y desde cualquier otro lugar.

- Toque el icono de la cava en el panel de SmartThings o toque el icono de Dispositivos en la parte inferior del panel, y luego toque la "ficha" de la cava para abrir la página correspondiente.
- Controle el estado de operación o las notificaciones de su cava y luego modifique las opciones o parámetros si fuera necesario.

NOTA

Algunas opciones o paréntesis de la cava pueden no estar disponibles para el control remoto.

Funcionamiento

Categoría	Sección	Descripción
Supervisión	Temperatura	Muestra la configuración actual de la temperatura de la cava.
	Autoverificación	Detecta funcionamientos anormales de la cava.
	Monitoreo de energía	Verifica el consumo de energía acumulado de la cava durante los últimos 180 días.
Funciones	Temperatura	Puede modificar los parámetros de temperatura y verificar los parámetros actuales.
Alarmas	Temperatura anormalmente elevada	Esta alarma se activa cuando la temperatura de la cava es anormal.
	Puerta abierta	Esta alarma se dispara si la puerta del refrigerador está abierta durante un período específico.
	Reemplazo del filtro desodorizador	Esta alarma le recuerda que es necesario reemplazar el filtro desodorizador.
Inventario de vinos		Puede agregar, editar y ordenar la información de sus vinos.
Asistente de HomeCare		Proporciona el historial de la "apertura de la puerta" durante los últimos 7 días, la "guía de plazos de reemplazo de los filtros" y la información diagnóstica del producto.

Para verificar la dirección MAC

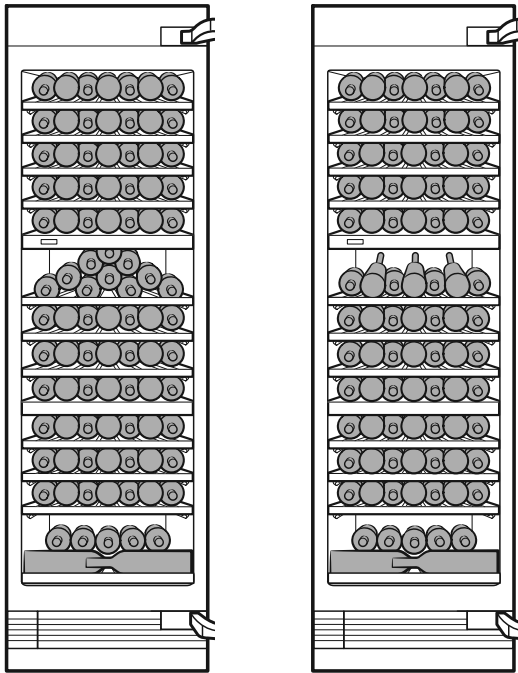
- En este modo, la dirección MAC aparece en el panel de temperatura secuencialmente durante 1 minuto.
Mantenga presionados **Cabinet Light (Luz del gabinete)** y **Door Alarm (Alarma de la puerta)** durante 6 segundos. El panel de temperatura titila. Luego, presione **Door Alarm (Alarma de la puerta)** para visualizar la dirección MAC. La cava emitirá un sonido.
- Por ejemplo, si la dirección MAC es "11-22-33-44-55-66", el panel de temperatura muestra la dirección durante 1 minuto en la siguiente secuencia: "--" → "11" → "22" → "33" → "44" → "55" → "66" → "--".
Después de 1 minuto, la dirección MAC desaparece y panel de temperatura recupera el estado normal.

NOTA

El panel de temperatura muestra "-- / --" para las direcciones MAC desconocidas o si no se ha establecido o se ha perdido una conexión Wi-Fi.

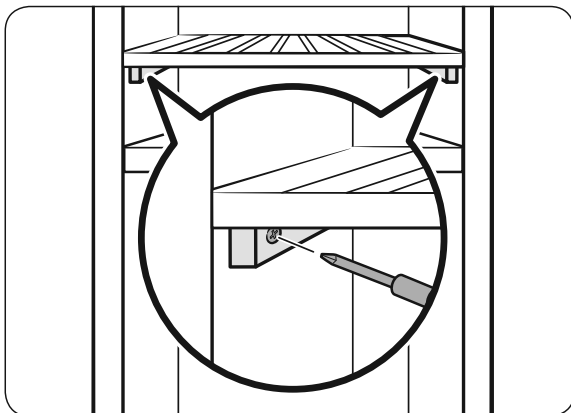
Funciones especiales

Capacidad de carga



Tipo A

Tipo B

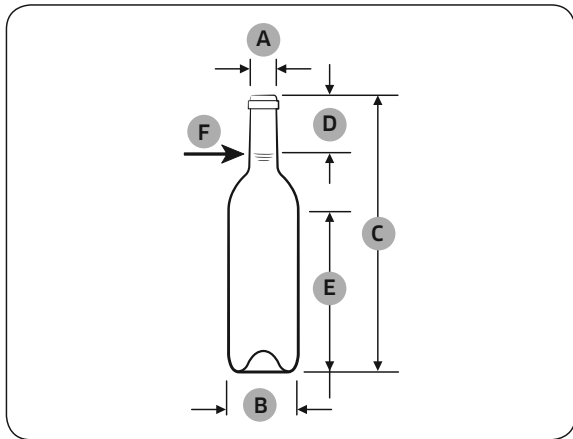


Capacidad de carga		Tipo A	Tipo B
Zona superior	1	7	7
	2	7	7
	3	7	7
	4	7	7
	5	7	7
Zona media	1	10	7
	2	7	7
	3	7	7
	4	7	7
Zona inferior	1	7	7
	2	7	7
	3	7	7
	4	13	13
Total		100	97

⚠ PRECAUCIÓN

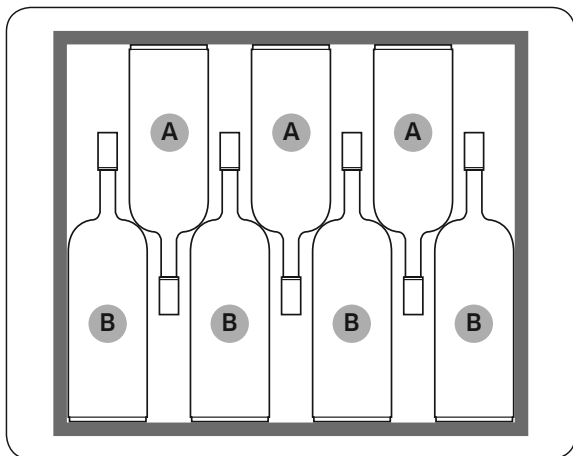
Si utiliza los presentadores de botellas del estante superior de la zona media (como se ilustra en el Tipo B de la figura) asegúrese de ajustar el estante con un destornillador.

Funcionamiento



Tamaño de botella estándar

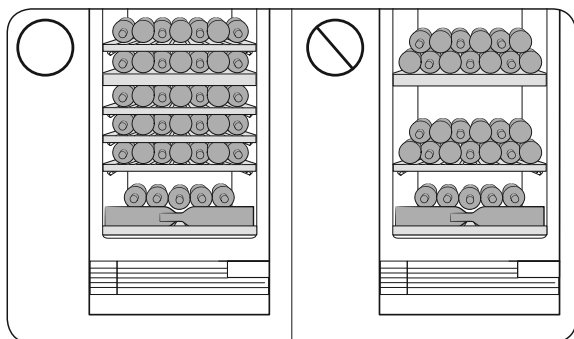
A	$\varnothing 3 \frac{3}{32}''$ ($\varnothing 27.5$)
B	$\varnothing 3''$ ($\varnothing 76.1$)
C	$21 \frac{27}{32}''$ (300.5)
D	$6 \frac{1}{4}''$ (63)
E	$12 \frac{15}{32}''$ (158.5)
F	25.4 fl oz (75.0 cl)



A: Tamaño de botella estándar / B: Botella larga

NOTA

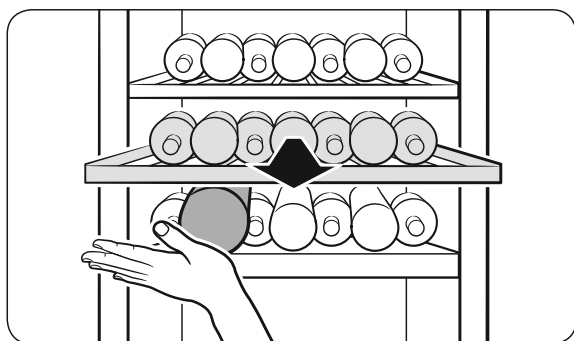
Si desea almacenar botellas estándar y botellas largas en el mismo estante, coloque 4 botellas largas y 3 botellas estándar como se ilustra en la figura.



⚠ PRECAUCIÓN

Solo apile botellas en el estante inferior de la zona inferior (máximo dos filas) y el estante superior de la zona media. (Para apilar botellas en el estante superior de la zona media, vea el TIPO A de la figura en la página 27).

No quite el estante inferior cuando tenga botellas.

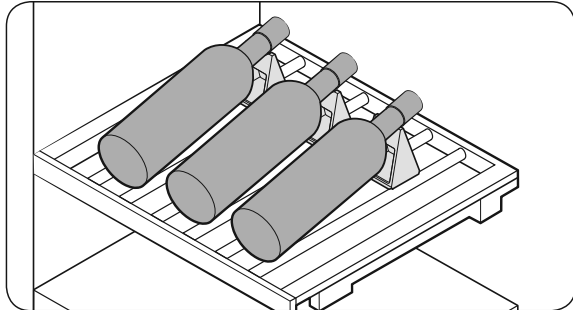


⚠ PRECAUCIÓN

Si almacenó botellas más grandes que el tamaño estándar en la pared de compartimientos o en el estante inferior para vinos (parte inferior de ambas zonas), proteja las botellas al tirar del estante que se encuentra directamente sobre ellas a fin de evitar que se caigan.

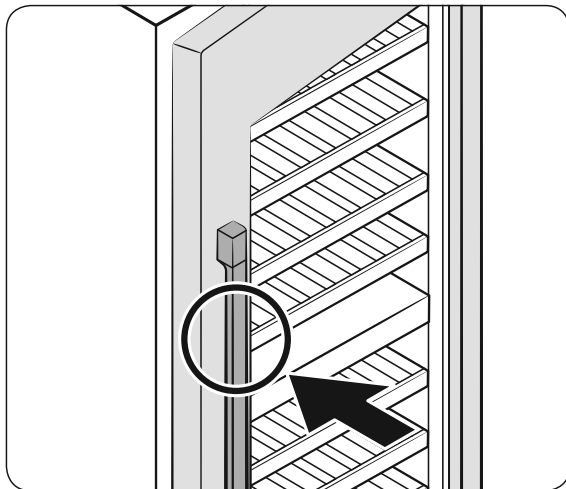
Funcionamiento

Presentadores de botellas



Puede presentar hasta 3 botellas de vino utilizando los presentadores de botellas provistos (como se ilustra en la figura).

Sistema de apertura automática de la puerta



El sistema de apertura automática de la puerta ayuda a abrir la puerta sin esfuerzo con la ayuda de un dispositivo mecánico.

Para abrir la puerta en una manera mecánica, simplemente debe presionar la manija de la puerta.

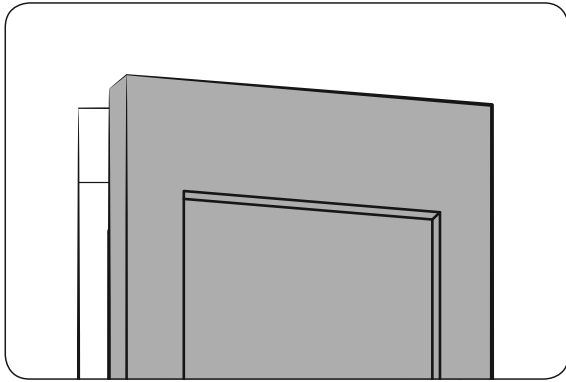
La puerta se abre automáticamente.

Si se toca o se cierra de golpe no se activa el sistema de apertura automática de la puerta.

Cerrar la puerta demasiado pronto durante el cierre automático puede causar daños en el kit.

Puede ajustar la sensibilidad a la presión. Para maximizar la sensibilidad, mantenga presionados **Cabinet Light (Luz del gabinete)** y **Deodorizer Reset (Restablecer el desodorizador)** al mismo tiempo durante 3 segundos. El visor muestra "01" durante 3 segundos.

Para configurar la sensibilidad de presión en su valor predeterminado, mantenga presionados los botones nuevamente durante 3 segundos. El visor muestra "00".



NOTA

- De manera predeterminada, el sistema está activado.
- El sistema no se activa inmediatamente después de cerrar la puerta. Espere 2 segundos y vuelva a intentarlo. No se trata de una falla del sistema.
- Cuando la puerta se abre mediante el sistema, permanece abierta por 2 segundos y se cierra automáticamente.

PRECAUCIÓN

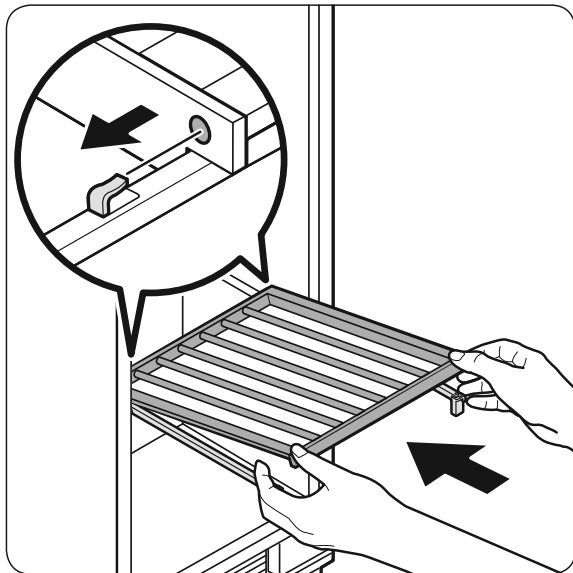
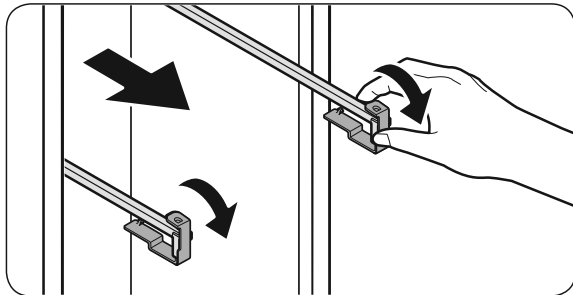
No empuje la puerta cuando está abierta. Podría ocasionar una falla mecánica del sistema.

- El esfuerzo necesario para empujar la puerta depende de las circunstancias. Aumenta inmediatamente después de cerrarse la puerta o de activarse el ciclo de refrigeración por la presión de succión del interior.
- Cuando se instalan dos cavas juntas, es posible que el sistema se pueda activar cerrando la puerta de la cava contigua. Esto puede ocurrir cuando la puerta se cierra con fuerza o cuando las cavas no están bien fijados al gabinete.

Funcionamiento

Armado y desarmado del soporte para botella

Armado del soporte para botellas

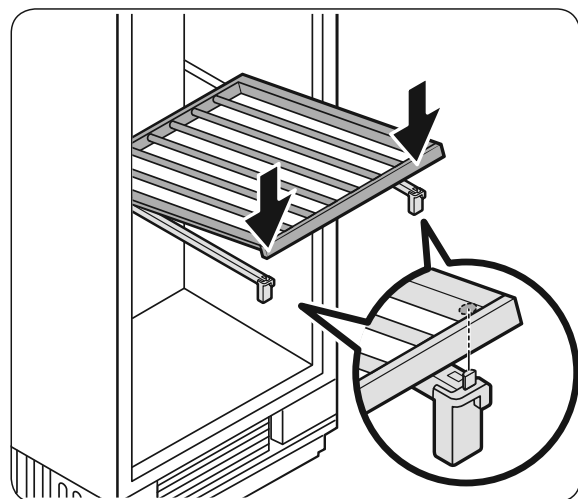


1. Retire el fijador del riel.

2. Sostenga la parte frontal del soporte para botellas y el riel y luego empuje el soporte para botellas de manera que el gancho de la parte trasera del riel se inserte en el orificio de la parte trasera del soporte para botellas como se ilustra en la imagen.

NOTA

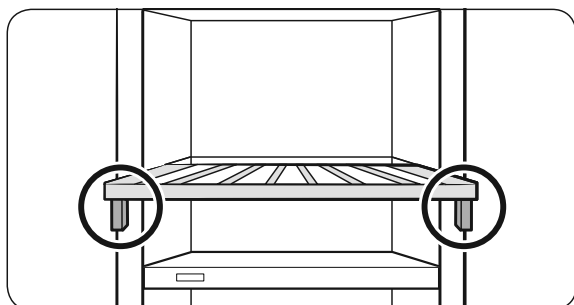
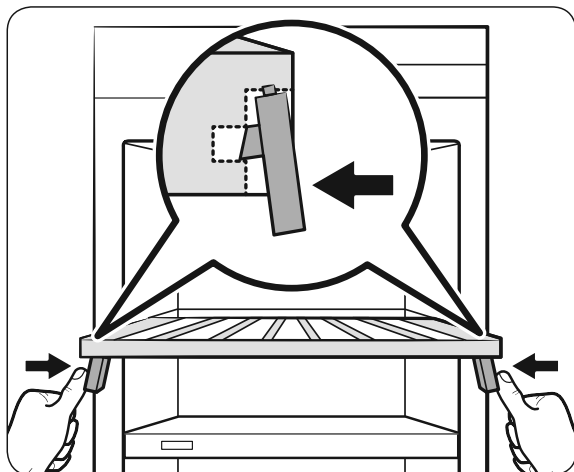
Asegúrese de que los ganchos de ambos rieles queden insertados adecuadamente en el soporte.



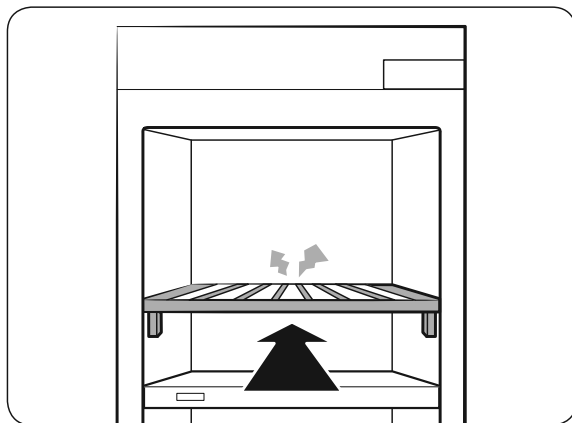
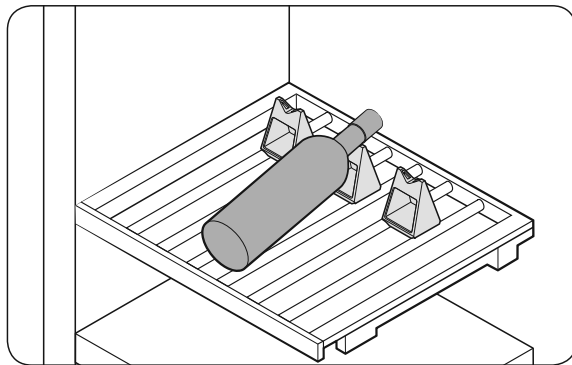
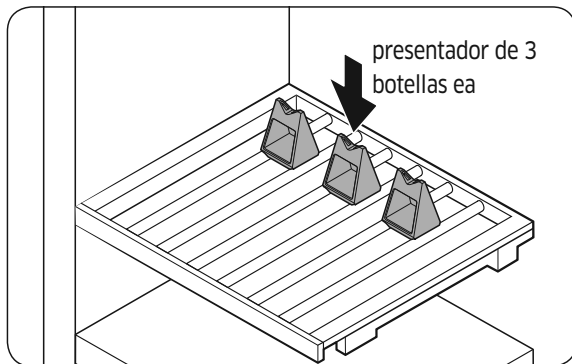
3. Ajuste la parte frontal del soporte para botellas colocándolo en la parte frontal del riel de modo que las dos clavijas de la parte superior y lateral del soporte se inserten en los orificios de la parte frontal del soporte como se ilustra en la imagen.

NOTA

Asegúrese de que las clavijas de ambos rieles queden insertadas adecuadamente en los orificios del soporte.



Funcionamiento



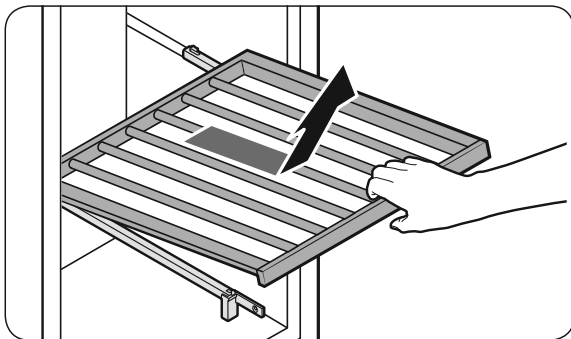
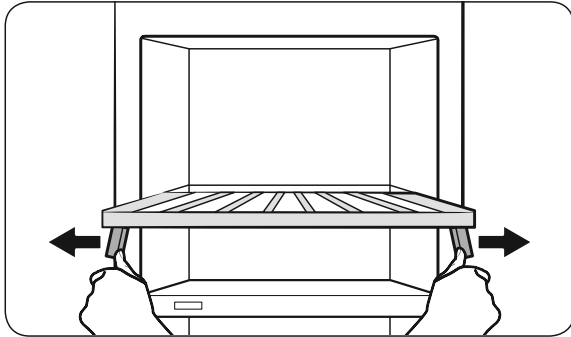
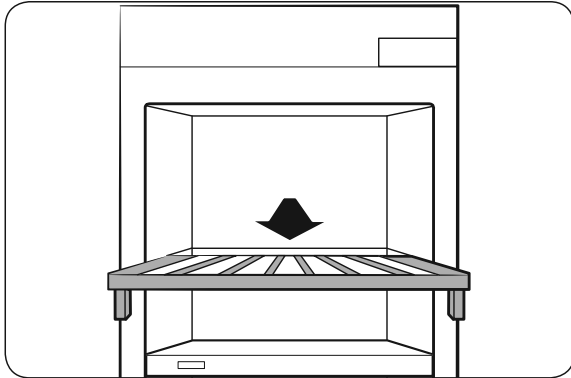
4. Coloque el presentador de 3 botellas en la Zona de presentación del soporte para botellas.

5. Deslice el soporte para botellas hasta que oiga un clic.

ADVERTENCIA

- Asegúrese de que el electrodoméstico esté nivelado. Si no está nivelado, el soporte para botellas puede deslizarse hacia adelante o hacia atrás.
- Asegúrese de que el soporte para botellas esté ajustado firmemente.

Desarmar el soporte para botellas

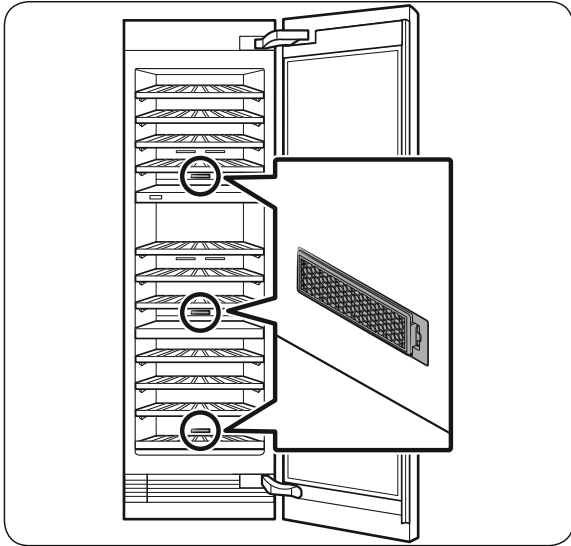


1. Tire del soporte para botellas.
2. Separe suavemente los soportes y levante la parte frontal para liberarla de las clavijas.
3. Tire del soporte para botellas para retirarlo.

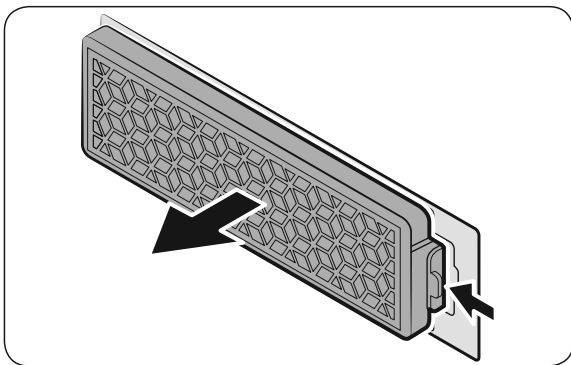
Funcionamiento

Reemplazo

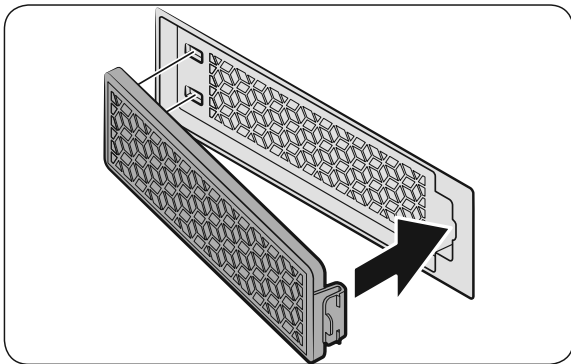
Filtro desodorizador



- El diseño general y/o los accesorios pueden diferir dependiendo del modelo.



Para retirarlo, retire el soporte para vinos antes para dejar al descubierto el filtro que se encuentra en la pared trasera. Presione las lengüetas del filtro para destrabarlo y extraerlo.



Para insertarlo, coloque primero la parte trasera del filtro y empuje la parte frontal hasta que se trabe en su lugar.

NOTA

El ciclo de vida útil del filtro desodorizador es de 18 meses, aunque difiere dependiendo de las condiciones de uso. Puede comprar un nuevo filtro en un centro de servicio Dacor local.

Luces LED

Para reemplazar las luces LED de la cava, comuníquese con un agente de servicio local. Contacto Servicio de atención al cliente de Dacor al (800) 793-0093.

ADVERTENCIA

El usuario no debe cambiar las luces LED. No intente reemplazar la luz LED usted mismo. Puede provocar una descarga eléctrica.

Cuidado y mantenimiento

Limpieza

ADVERTENCIA

- No utilice benceno, solvente ni detergente para automóviles/hogareño como Clorox™ para limpiar. Pueden dañar la superficie de la cava y provocar un incendio.
- No rocíe agua sobre la cava. Puede provocar una descarga eléctrica.

Utilice un paño seco regularmente para retirar cualquier sustancia extraña como polvo o agua de las terminales del enchufe de alimentación y los puntos de contacto.

1. Apague la cava.
2. Utilice un paño húmedo que no deje pelusa o una toalla de papel para limpiar el interior y el exterior de la cava.
3. Al terminar, utilice un paño seco o toalla de papel para secarlo bien.
4. Encienda la cava.

Solución de problemas

Antes de solicitar servicio técnico revise los siguientes puntos de verificación. En el caso de solicitudes de servicio para situaciones normales (cuando no existe ningún defecto), se exigirá un cargo a los usuarios.

General

Temperatura

Síntoma	Causas posibles	Solución
La cava no funciona. La temperatura de la cava es elevada.	<ul style="list-style-type: none">El cable de alimentación no está conectado correctamente.	<ul style="list-style-type: none">Enchufe correctamente el cable de alimentación.
	<ul style="list-style-type: none">El control de temperatura no está configurado correctamente.	<ul style="list-style-type: none">Baje la temperatura.
	<ul style="list-style-type: none">La cava está ubicada cerca de una fuente de calor o expuesta a la luz solar directa.	<ul style="list-style-type: none">Mantenga la cava alejada de la luz solar directa o de las fuentes de calor.
	<ul style="list-style-type: none">La cava está sobrecargada. Hay una botella bloqueando las ventilaciones de la cava.	<ul style="list-style-type: none">No sobrecargue la cava. Evite que las botellas bloqueen la ventilación.
La cava enfría demasiado.	<ul style="list-style-type: none">El control de temperatura no está configurado correctamente.	<ul style="list-style-type: none">Eleve la temperatura.

Olores

Síntoma	Causas posibles	Solución
La cava presenta mal olor.	<ul style="list-style-type: none">Puede ser el olor natural del soporte para vinos de madera.	<ul style="list-style-type: none">Limpie la cava y abra la puerta por unos instantes.El ciclo de vida útil del filtro desodorizador es de 18 meses, aunque difiere dependiendo de las condiciones de uso.

Condensación

Síntoma	Causas posibles	Solución
Se forma condensación en las paredes internas.	<ul style="list-style-type: none">Si se deja la puerta abierta, entra humedad en la cava.	<ul style="list-style-type: none">Retire la humedad y no abra la puerta durante un tiempo.

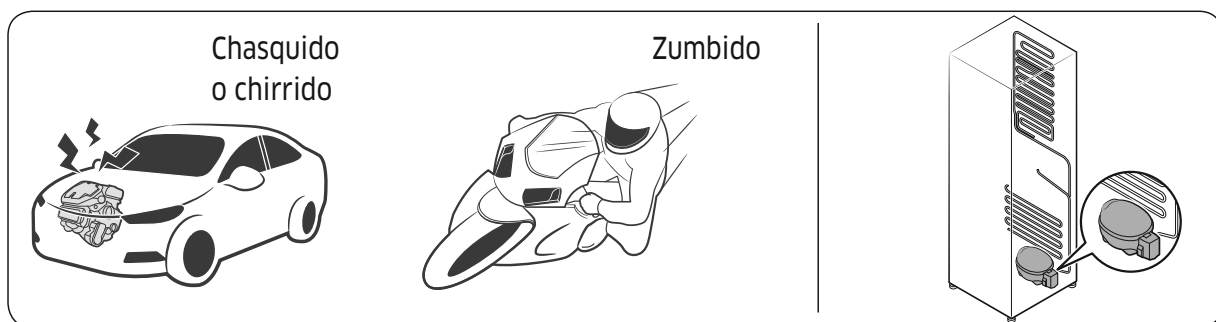
Solución de problemas

Sonidos anormales

Antes de solicitar servicio técnico revise los siguientes puntos de verificación. En el caso de solicitudes de servicio relacionado con ruidos normales se exigirá un cargo al usuario.

Dichos ruidos son normales.

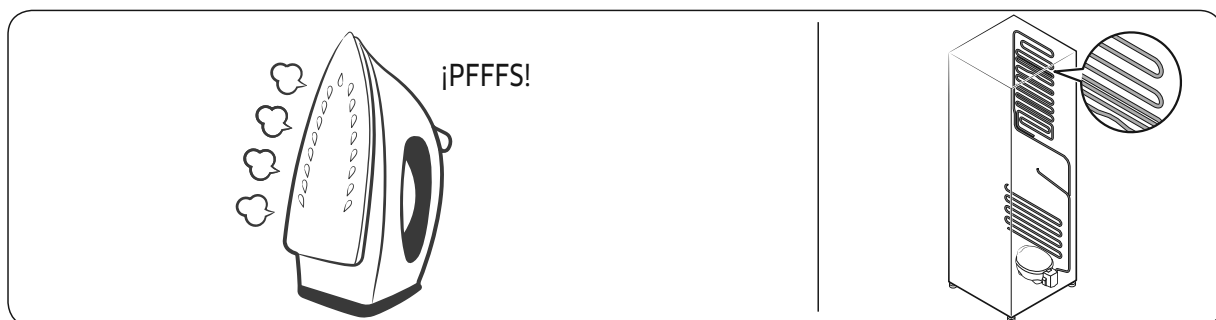
- Cuando se inicia o finaliza una operación, la cava puede emitir unos sonidos similares al encendido del motor de un auto. Cuando la operación se estabiliza, el ruido disminuye.



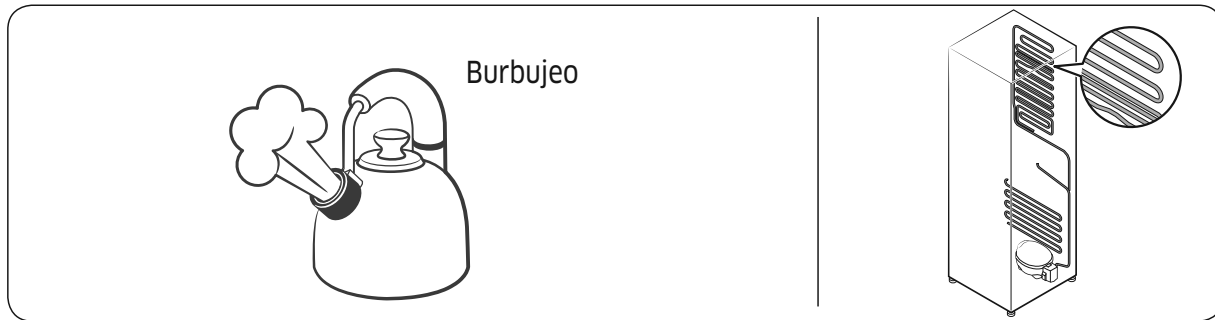
- Cuando el ventilador está en funcionamiento puede producir algunos ruidos. Cuando la cava alcanza la temperatura establecida, el ventilador deja de producir ruidos.



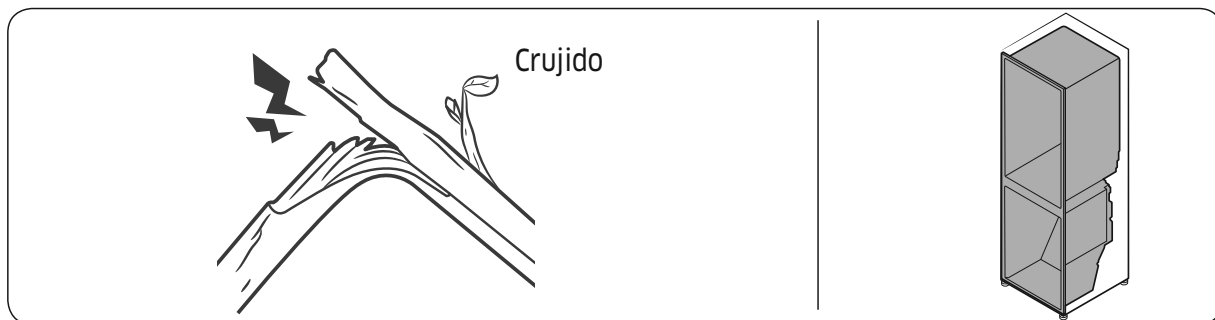
- Durante un ciclo de descongelación, pueden caer gotas de agua sobre el calefactor y producir ruidos de chisporroteo.



- Cuando la cava enfría el gas refrigerante circula por las tuberías selladas y produce ruidos de burbujas.



- Cuando la temperatura de la cava aumenta o disminuye, las partes plásticas se contraen y se expanden y producen ruidos de golpeteo. Dichos ruidos se producen durante el ciclo de descongelación o cuando las piezas electrónicas están funcionando.



- Debido a la ecualización de la presión cuando se abre y cierra la puerta, pueden producirse sonidos silbantes.

Solución de problemas

Apertura automática de la puerta (ADO)

Síntoma	Acción
La apertura automática de la puerta (ADO) no funciona.	<ul style="list-style-type: none">• Encienda el interruptor de apertura automática de la puerta (la configuración de fábrica se desactiva)• El sistema de apertura automática de la puerta no funcionará si se abrió la puerta hace menos de 1 minuto. Deje que transcurra 1 minuto antes de volver a intentar abrirla.
Cuando se cierra una puerta, se abre la otra (instalación en par).	<ul style="list-style-type: none">• Cuando cierre la puerta de una cava, la puerta de la otra cava (instalada como par) puede abrirse. Esto ocurre cuando se activa el sensor de la puerta de la otra cava y no es una falla del sistema. La puerta abierta se cerrará después de unos momentos mediante el sistema de cierre automático.

SmartThings

Síntoma	Acción
No se encuentra "SmartThings" en el mercado de aplicaciones.	<ul style="list-style-type: none"> La aplicación SmartThings está diseñada para Android 6.0 (Marshmallow) o posterior, iOS 10.0 o posterior, iPhone 6 o posterior, y está optimizada para teléfonos inteligentes Samsung (series Galaxy S y Galaxy Note).
La aplicación SmartThings no funciona.	<ul style="list-style-type: none"> La aplicación SmartThings está disponible únicamente para los modelos correspondientes. La aplicación Samsung Smart Refrigerator antigua no puede conectarse con los modelos SmartThings.
La aplicación SmartThings está instalada pero no se conecta a mi refrigerador.	<ul style="list-style-type: none"> Debe iniciar una sesión con su cuenta Samsung para utilizar la aplicación. Asegúrese de que su enrutador funcione normalmente. Asegúrese de que el Smart Home Adapter esté insertado correctamente. Si el ícono de Wi-Fi del visor del refrigerador está apagado, significa que no se ha establecido aún la conexión de red. En este caso, use la aplicación SmartThings para conectarse y registrar el refrigerador en el punto de acceso (PA/enrutador) de su casa.
No se puede iniciar una sesión en la aplicación.	<ul style="list-style-type: none"> Debe iniciar una sesión con su cuenta Samsung para utilizar la aplicación. Si no tiene una cuenta Samsung, siga las instrucciones en pantalla de la aplicación para crear una.
Cuando trato de registrar mi refrigerador aparece un mensaje de información.	<ul style="list-style-type: none"> La conexión de red puede fallar como resultado de la distancia con respecto al punto de acceso (PA) o una interferencia eléctrica del entorno circundante. Espere un momento e inténtelo nuevamente.
La aplicación SmartThings está conectada correctamente a mi refrigerador pero no funciona.	<ul style="list-style-type: none"> Salga y reinicie la aplicación SmartThings o desconecte el enrutador y conéctelo nuevamente. Retire el Smart Home Adapter y vuelva a conectarlo correctamente. Luego, vuelva a intentarlo.

Garantía y servicio

Atención al cliente

Antes de solicitar asistencia o programar un servicio:

1. Pruebe con las soluciones provistas en la tabla de la sección "**Solución de problemas**".
2. Familiarícese con los términos y condiciones de la garantía del producto.
3. Si ninguno de esos consejos prácticos o sugerencias resuelve su problema, llame a nuestro centro de atención al cliente al número que figura más abajo.

El centro de atención al cliente de Dacor está disponible de 05:00 a.m. a 5:00 p.m. hora del Pacífico.

Para reparaciones en garantía y consultas o para el Dacor Distinctive Service (DDS) en EE.UU. y Canadá
Teléfono: 833-35-ELITE (833-353-5483) EE.UU., Canadá

Para reparaciones fuera de garantía o consultas en EE.UU. y Canadá
Teléfono: (800) 793-0093, extensión 2813

Contáctenos a través de nuestro sitio web:
www.dacor.com/customer-care/contact-us

Garantía

Cobertura

CERTIFICADO DE GARANTÍA PARA
CAVA DACOR

EN LOS CINCUENTA ESTADOS DE EE.UU, DISTRITO DE COLUMBIA Y CANADÁ:
GARANTIA COMPLETA DE DOS AÑOS

La garantía se aplica únicamente al electrodoméstico Dacor que fue vendido al primer comprador usuario.

La garantía es asimismo válida para los productos adquiridos nuevos a un distribuidor autorizado de Dacor o a otro vendedor autorizado por Dacor.

A partir de la fecha del comprobante de la compra minorista original o la fecha de cierre para la nueva construcción, el periodo que sea más largo.

- 60 días Cosmética
- 2 años Garantía completa
- 6 años Garantía del sistema hermético: Piezas/Mano de obra
- 12 años Garantía del sistema hermético: Solo piezas
- 15 años Garantía del compresor: Solo piezas

Excepto en los casos indicados anteriormente, las partes consumibles como filtros y lámparas no están incluidas y son responsabilidad del comprador.

GARANTÍA LIMITADA

Durante el periodo comprendido entre tres y seis años después de la fecha de la compra, siempre que esta cava se haya usado y mantenido de acuerdo con las instrucciones o el manual de uso que acompaña el producto, Dacor se hará cargo de las piezas especificadas por la fábrica y los costos laborales de reparación con el fin de corregir los defectos de materiales o mano de obra en el sistema hermético de refrigeración. Dichas piezas son: el compresor, el evaporador, el condensador, el deshumidificador y las tuberías de conexión.

Durante el periodo comprendido entre siete y doce años después de la fecha de la compra, siempre que esta cava se haya usado y mantenido de acuerdo con las instrucciones o el manual de uso que acompaña el producto, Dacor se hará cargo de las piezas especificadas por la fábrica para los siguientes componentes con el fin de corregir los defectos de materiales o mano de obra en el sistema hermético de refrigeración existente cuando se compró este electrodoméstico: el compresor, el evaporador, el condensador, el deshumidificador y las tuberías de conexión.

Durante el período comprendido entre trece y quince años después de la fecha de la compra, siempre que esta cava se haya usado y mantenido de acuerdo con las instrucciones o el manual de uso que acompaña el producto, Dacor se hará cargo de las piezas especificadas por la fábrica para el compresor a fin de corregir defectos de materiales o mano de obra existentes al momento de la compra del electrodoméstico.

LIMITACIONES DE LA COBERTURA

El servicio será ofrecido por una empresa de servicios designada por Dacor durante el horario laboral normal. Les rogamos que tengan en cuenta que los proveedores de servicios no son agentes de Dacor, sino entidades independientes.

Productos de exhibición de distribuidor y de casas modelo con una fecha de producción superior a 5 años, productos vendidos "tal cual," y productos instalados para uso no residencial, que incluyen, aunque no en carácter taxativo, organizaciones religiosas, estaciones de bomberos, hospederías y spas, cuentan únicamente con una garantía de un año para las piezas. Los costos de entrega, instalación y laborales, así como otros cargos de servicio, son responsabilidad del comprador.

El propietario debe proporcionar a solicitud una prueba de compra o una declaración de cierre para la nueva construcción. Todos los productos Dacor deben estar accesibles para el servicio. Todos los daños cosméticos (como rayones en acero inoxidable, manchas en pintura o porcelana, etc.) al producto o accesorios incluidos deben reportarse a Dacor en el transcurso de 60 días a partir de la fecha original de compra para poder optar a la cobertura de garantía.

La garantía se considerará nula y sin efecto en aquellos productos cuyos números de serie y etiquetas hayan sido alterados, desfigurados o eliminados.

Garantía y servicio

La garantía se considerará nula y sin efecto si un producto no aprobado por CSA se transporta desde los Estados Unidos.

FUERA DE LOS CINCUENTA ESTADOS DE EE.UU, DISTRITO DE COLUMBIA Y CANADÁ:

GARANTÍA LIMITADA AL PRIMER AÑO

Si su producto Dacor deja de funcionar antes de que transcurra un año a partir de la fecha de compra original debido a un defecto de material o mano de obra, Dacor proporcionará una nueva pieza, F.O.B. la fábrica, para reemplazar la pieza defectuosa.

Los costos de entrega, instalación y laborales, así como otros cargos de servicio, son responsabilidad del comprador.

Qué no está cubierto

- Pueden observarse ligeras variaciones en el color debidas a diferencias entre las partes pintadas, iluminación de la cocina, ubicación del producto y otros factores; esta garantía no cubre las variaciones de color.
- Las llamadas de servicio para instruir al cliente acerca del correcto uso y cuidado del producto.
- Las tarifas de servicio por desplazamiento a islas y zonas lejanas que incluyen, aunque no de modo taxativo, ferries, autopistas de peaje y otros costos relacionados con el viaje.
- Daños indirectos o accidentales, que incluyen, aunque no de modo taxativo: pérdida de alimentos o medicinas, ausencia del trabajo o comidas en restaurantes.
- Falla del producto cuando se emplea con fines comerciales, empresariales, de alquiler o cualquier otro propósito que no sea el uso residencial del consumidor.
- Falla del producto causada por la instalación incorrecta del producto.
- Reemplazo de fusibles o cajas de fusibles domésticos o restablecimiento de disyuntores.
- Daños al producto causados por accidente, incendio, inundación, interrupción de alimentación, sobrecargas eléctricas o fenómenos naturales.
- Responsabilidad por daños a la propiedad circundante, incluyendo gabinetes, pisos, techos y otros objetos o estructuras que rodeen el producto.
- Rotura, decoloración o daños a superficies de cristal o metálicas, componentes plásticos, bordes, pintura u otros acabados cosméticos causados por mal uso o cuidado impropio, abuso o negligencia.

Fuera de garantía

Si tiene algún problema de servicio una vez finalizado el periodo de garantía estándar, comuníquese con nosotros.

Dacor revisa todos los problemas y preocupaciones de los clientes para ofrecer la mejor solución posible de acuerdo con las circunstancias de cada caso.

LOS RECURSOS PROPORCIONADOS EN LAS GARANTÍAS EXPRESAS ANTEDICHAS CONSTITUYEN SU ÚNICO Y EXCLUSIVO RECURSO. POR CONSIGUIENTE, NO SE OFRECE NINGUNA OTRA GARANTÍA EXPRESA, Y FUERA DE LOS CINCUENTA ESTADOS DE LOS ESTADOS UNIDOS, EL DISTRITO DE COLUMBIA Y CANADÁ, TODAS LAS GARANTÍAS IMPLÍCITAS, INCLUIDAS, ENTRE OTRAS, LAS GARANTÍAS IMPLÍCITAS DE COMERCIABILIDAD O DE IDONEIDAD PARA UN USO O FIN CONCRETO, TIENEN UNA DURACIÓN LIMITADA A UN AÑO A PARTIR DE LA FECHA DE COMPRA ORIGINAL. EN NINGÚN CASO DACOR SERÁ RESPONSABLE DE DAÑOS ACCIDENTALES O INDIRECTOS. EN CASO DE QUE DACOR GANE UN JUICIO, DACOR TENDRÁ DERECHO A RECIBIR DEL CLIENTE DE DACOR EL REEMBOLSO DE TODOS LOS COSTOS Y GASTOS, INCLUIDOS LOS HONORARIOS DEL ABOGADO. NO SE OFRECE GARANTÍA ALGUNA, EXPRESA O IMPLÍCITA, A UN COMPRADOR QUE REVENDA EL PRODUCTO.

Ciertos estados no permiten limitaciones en cuanto a la vigencia de una garantía implícita o no permiten la exclusión o limitación de daños intrascendentes, de tal forma que las limitaciones o excepciones mencionadas tal vez no se apliquen a usted en particular. Esta garantía le otorga derechos legales específicos, e incluso puede otorgarle otros derechos que varían de un estado a otro.

Aviso regulatorio

Aviso de la FCC

PRECAUCIÓN de la FCC:

Todos los cambios y modificaciones que no cuenten con la aprobación expresa de la parte responsable del cumplimiento pueden invalidar la autoridad del usuario para operar el equipo.

Contiene módulo transmisor FCC ID: A3LCWAM210S

Este aparato cumple con la sección 15 de las Normas de la FCC. El funcionamiento se encuentra sujeto a las siguientes dos condiciones:

- (1) Este aparato no puede causar interferencia dañina y
- (2) Este aparato debe aceptar la recepción de cualquier interferencia, incluidas aquellas que causen un funcionamiento indeseado.

En los productos disponibles en los mercados de los Estados Unidos y Canadá, solo están disponibles los canales 1 a 11.

No es posible seleccionar otros canales.

DECLARACIÓN DE LA FCC:

Este equipo ha sido sometido a pruebas y se ha determinado que se encuentra dentro de los límites para los dispositivos digitales clase B, de acuerdo con la parte 15 de las Normas de la FCC. Dichos límites han sido diseñados para proporcionar una protección razonable contra la interferencia dañina en una instalación residencial.

Este equipo genera, utiliza y puede irradiar energía de frecuencias de radio y, si no se lo instala y utiliza de acuerdo con las instrucciones, pueden producirse interferencias en las comunicaciones de radio. Sin embargo, no existe garantía alguna de que no habrá interferencia en una instalación determinada. Si el equipo provoca interferencia dañina a la recepción de radio o televisión, que puede determinarse al encender y apagar el equipo, se sugiere que el usuario trate de corregir la interferencia mediante una o más de las siguientes medidas:

- Reorientar o reubicar la antena receptora
- Aumentar la distancia entre el equipo y el receptor
- Conectar el equipo en un tomacorriente que está en un circuito diferente que el receptor.
- Consultar a su distribuidor o a un técnico experimentado en radio/TV para obtener ayuda.

DECLARACIÓN DE LA FCC SOBRE LA EXPOSICIÓN A LA RADIACIÓN:

Este equipo cumple con los límites de exposición a la radiación establecidos por la FCC para un entorno no controlado.

Este equipo debe instalarse y utilizarse con una distancia mínima de 8 pulgadas (20 cm) entre el radiador y su cuerpo. Este aparato y sus antenas no deben ubicarse ni utilizarse junto con ninguna otra antena o transmisor excepto si se cumplen los procedimientos de la FCC para productos transmisores múltiples.

Aviso de la IC

Contiene módulo de transmisor IC: 649E-CWAM210S

El término "IC" antes del número de certificación de radio solo significa que cumple con las especificaciones técnicas de la Industria de Canadá. El funcionamiento se encuentra sujeto a las siguientes dos condiciones: (1) Este aparato no puede causar interferencia dañina, y (2) este aparato debe aceptar la recepción de cualquier interferencia, incluidas aquellas que puedan causar un funcionamiento indeseado.

Este aparato digital Clase B cumple con el ICES-003 de Canadá.

Cet appareil numérique de la classe B est conforme à la norme NMB-003 du Canada.

En los productos disponibles en los mercados de los Estados Unidos y Canadá, solo están disponibles los canales 1 a 11. No es posible seleccionar otros canales.

DECLARACIÓN IC SOBRE LA EXPOSICIÓN A LA RADIACIÓN:

Este equipo cumple con los límites de exposición a la radiación establecidos por la IC RSS-102 para un entorno no controlado. Este equipo debe instalarse y utilizarse con una distancia mínima de 8 pulgadas (20 cm) entre el radiador y su cuerpo. Este aparato y sus antenas no deben ubicarse ni utilizarse junto con ninguna otra antena o transmisor excepto si se cumplen los procedimientos de la FCC para productos transmisores múltiples.

GUARDE ESTAS INSTRUCCIONES

Aviso de código abierto

El software incluido en este producto contiene software de código abierto. Puede obtener el código fuente correspondiente completo por un período de tres años a partir de nuestro último envío de este producto enviando un correo electrónico a: oss.request@samsung.com.

También es posible obtener el código fuente correspondiente completo en un soporte físico, tal como un CD-ROM; se exigirá un cargo mínimo.

El siguiente URL http://opensource.samsung.com/opensource/SMART_AT_051/seq/0 lleva a la página de descarga del código fuente puesto a disposición del usuario y la información de la licencia del código fuente relacionada con este producto. Esta oferta es válida para cualquier persona que reciba esta información.



Notas



DA68-03607F-01

dacor[®]