

30-Inch Induction Cooktop



DTI30P876BB/DA - Black Glass

Features & Benefits

- FlexZone®
- Glass-touch control panel with SmartThings Wi-Fi connectivity
- Auto Connect to compatible ventilation through Bluetooth
- Residual heat indicator
- Ceramic glass

Controls

CONTROL TYPE	Glass Touch
CHEF MODE GUIDED COOKING	No
WI-FI + SMARTTHINGS	Yes
BLUETOOTH AUTO CONNECT VENTILATION	Yes
RESIDUAL HEAT INDICATOR	Yes, 2 Stages
POWER ON/OFF	Yes
PAUSE	Yes
KITCHEN TIMER	Yes
CHILD LOCK	Yes

Cooktop

COOKING ZONES	4
LEFT FRONT (W)	1,800 (2,600 Boost)
LEFT REAR (W)	1,800 (2,600 Boost)
CENTER (W)	3,600 (4,800 Boost)
RIGHT FRONT (W)	1,400 (2,000 Boost)
POWER LEVELS	13 + 2 Boost
FLEXZONE®	Yes
MELT & SIMMER	Yes
VIRTUAL FLAME™	No
AUTO PAN DETECTION	Yes

Weights & Dimensions

NET WEIGHT (LBS.)	53
SHIPPING WEIGHT (LBS.)	60.4
PRODUCT DIMENSIONS (W x H x D IN INCHES)	30 x 3 1/8 x 21 1/4
CUTOUT REQUIRED (W x D IN INCHES)	28 1/2 to 28 5/16 x 19 1/16 to 19 5/8

Technical Details

ELECTRICAL REQUIREMENTS	208/240V, 60 Hz, 40A
--------------------------------	----------------------

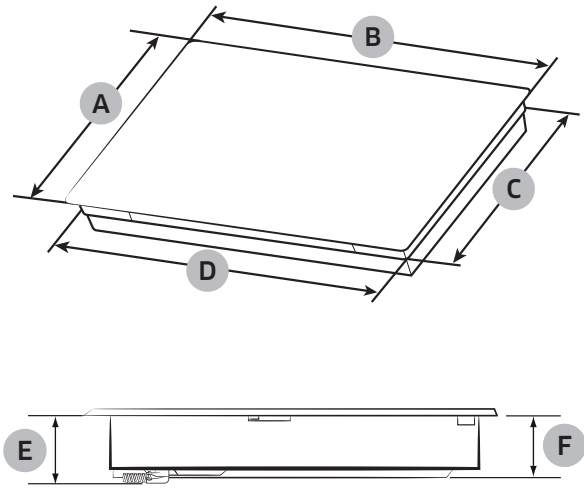
Warranty

FULL COVERAGE	2 Years
----------------------	---------

30-Inch Induction Cooktop



Product Dimensions	
A - FRAME DEPTH (IN/MM)	21 ¼ / 540
B - FRAME WIDTH (IN/MM)	30 / 762
C - CASE DEPTH (IN/MM)	19 ½ / 494.6
D - CASE WIDTH (IN/MM)	28 ¾ / 720
E - CONDUIT CASE HEIGHT (IN/MM)	4 / 101
F - CASE HEIGHT (IN/MM)	3 ⅝ / 80.5



Installation Cutout Dimensions	
A - (IN/MM)	28 ½ - 28 ⅝ / 724 - 728
B - (IN/MM)	19 ⅞ - 19 ¾ / 497.4 - 499.4
C - MIN (IN/MM)	1 ⅞ / 28
D - MIN (IN/MM)	1 ½ / 38
E - MIN (IN/MM)	1 / 26
F - MIN (IN/MM)	10 / 254
G - (IN/MM)	15 / 381

