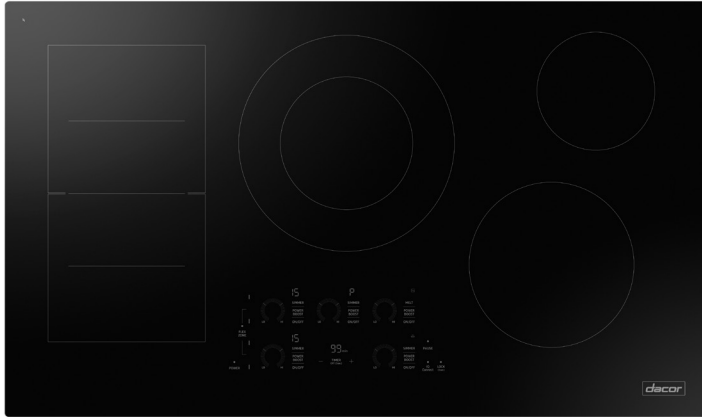


36-Inch Induction Cooktop



DTI36P876BB/DA - Black Glass

Features & Benefits

- FlexZone®
- Glass-touch control panel with SmartThings Wi-Fi connectivity
- Auto Connect to compatible ventilation through Bluetooth
- Residual heat indicator
- Ceramic glass

Controls

| | |
|---|---------------|
| CONTROL TYPE | Glass Touch |
| CHEF MODE GUIDED COOKING | No |
| WI-FI + SMARTTHINGS | Yes |
| BLUETOOTH AUTO CONNECT VENTILATION | Yes |
| RESIDUAL HEAT INDICATOR | Yes, 2 Stages |
| POWER ON/OFF | Yes |
| PAUSE | Yes |
| KITCHEN TIMER | Yes |
| CHILD LOCK | Yes |

Cooktop

| | |
|---------------------------|---------------------|
| COOKING ZONES | 5 |
| LEFT FRONT (W) | 1,800 (2,600 Boost) |
| LEFT REAR (W) | 1,800 (2,600 Boost) |
| CENTER (W) | 3,600 (4,800 Boost) |
| RIGHT FRONT (W) | 2,200 (3,200 Boost) |
| RIGHT REAR (W) | 1,400 (2,000 Boost) |
| POWER LEVELS | 13 + 2 Boost |
| FLEXZONE® | Yes |
| MELT & SIMMER | Yes |
| VIRTUAL FLAME™ | No |
| AUTO PAN DETECTION | Yes |

Weights & Dimensions

| | |
|---|----------------------------------|
| NET WEIGHT (LBS.) | 62 |
| SHIPPING WEIGHT (LBS.) | 69.9 |
| PRODUCT DIMENSIONS (W x H x D IN INCHES) | 36 x 3 1/8 x 21 1/4 |
| CUTOUT REQUIRED (W x D IN INCHES) | 33 3/8 to 34 x 19 1/8 to 19 3/16 |

Technical Details

| | |
|--------------------------------|----------------------|
| ELECTRICAL REQUIREMENTS | 208/240V, 60 Hz, 45A |
|--------------------------------|----------------------|

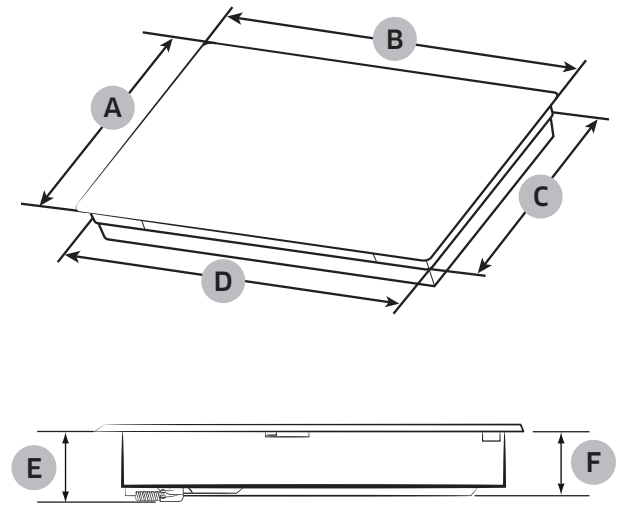
Warranty

| | |
|----------------------|---------|
| FULL COVERAGE | 2 Years |
|----------------------|---------|

36-Inch Induction Cooktop



| Product Dimensions | |
|--|----------------|
| A - FRAME DEPTH (IN/MM) | 2 1/4 / 540 |
| B - FRAME WIDTH (IN/MM) | 36 / 914 |
| C - CASE DEPTH (IN/MM) | 19 / 481.6 |
| D - CASE WIDTH (IN/MM) | 33 3/4 / 856.6 |
| E - CONDUIT CASE HEIGHT (IN/MM) | 4 / 101 |
| F - CASE HEIGHT (IN/MM) | 3 1/8 / 80.5 |



| Installation Cutout Dimensions | |
|--------------------------------|----------------------------------|
| A - (IN/MM) | 33 7/8 - 34 / 860 - 864 |
| B - (IN/MM) | 19 1/8 - 19 3/16 / 485.6 - 487.6 |
| C - MIN (IN/MM) | 1 1/8 / 28 |
| D - MIN (IN/MM) | 1 1/2 / 38 |
| E - MIN (IN/MM) | 1 / 26 |
| F - MIN (IN/MM) | 10 / 254 |
| G - (IN/MM) | 15 / 381 |

