

# 30-Inch Gas Range

## TRANSITIONAL

**dacor**



DOP30T840GS/DA - Silver Stainless, Natural Gas/Liquid Propane

### Features & Benefits

- Dual Four-Part Pure convection system
- Simmersear™ brass burners
- OLED control panel with SmartThings Wi-Fi connectivity
- Auto Connect to compatible ventilation through Bluetooth
- Air sous vide
- Digital temperature probe
- Self-clean oven
- Perma-Flame
- Softshut™ hinges
- LP conversion kit
- Voice commands through Bixby/Alexa/Google

### Controls

<b>CONTROL TYPE</b>	2.25" PMOLED Touchscreen & Knobs
<b>ILLUMINA™ KNOBS</b>	White
<b>WI-FI + SMARTTHINGS</b>	Yes
<b>BLUETOOTH AUTO CONNECT™ VENTILATION</b>	Yes
<b>CONTROL SHOWER LIGHTING</b>	No
<b>CLOCK</b>	Yes
<b>DELAY START</b>	Yes
<b>KITCHEN TIMER</b>	Yes
<b>CHILD LOCK</b>	Yes
<b>SABBATH MODE</b>	Yes

### Oven

<b>OVEN CAPACITY (CU. FT.)</b>	6
<b>CONVECTION</b>	Four-Part Pure Convection
<b>BAKE BURNER</b>	18,000 BTU
<b>BROIL BURNER</b>	16,500 BTU
<b>CONVECTION ELEMENT</b>	900W
<b>TEMPERATURE PROBE</b>	Yes
<b>LIGHTING</b>	Halogen
<b>SELF-CLEAN</b>	Self-Clean
<b>SOFTSHUT™</b>	Yes

### Cooktop

<b>NUMBER OF BURNERS</b>	4
<b>PERMA-FLAME™ (AUTO RE-IGNITION)</b>	Yes
<b>LEFT FRONT (BTU)</b>	16,000
<b>LEFT REAR (BTU)</b>	16,000
<b>RIGHT FRONT (BTU)</b>	20,000
<b>RIGHT REAR (BTU)</b>	9,500
<b>GRIDDLE</b>	Sold Separately
<b>WOK RING</b>	Yes

### Weights & Dimensions

<b>NET WEIGHT (LBS.)</b>	238
<b>SHIPPING WEIGHT (LBS.)</b>	265
<b>PRODUCT DIMENSIONS (W x H x D IN INCHES)</b>	29 15/16 x 36 1/16 x 27 1/16

### Technical Details

<b>ELECTRICAL REQUIREMENT</b>	120V, 60 Hz, 10A
<b>AVAILABLE FUEL TYPES</b>	Natural Gas, Liquid Propane
<b>LP CONVERSION KIT (INCLUDED)</b>	Yes

### Accessories (Optional)

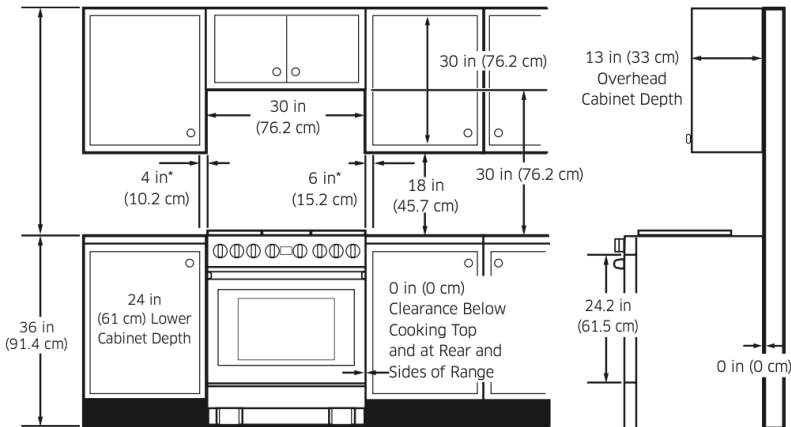
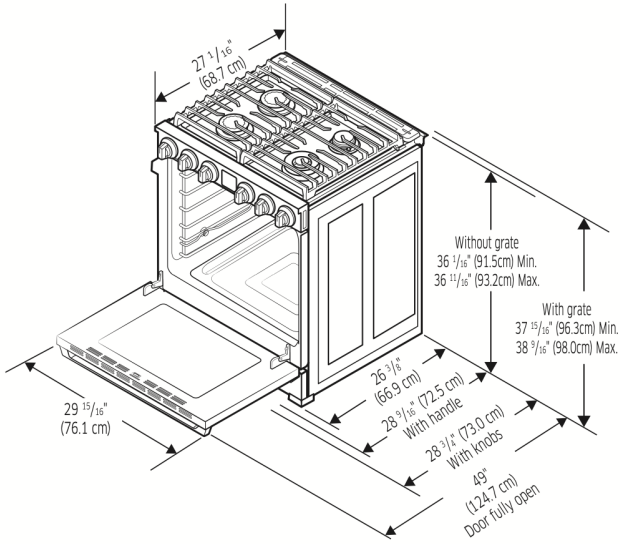
<b>ARG30</b>	Griddle for 30" Range
--------------	-----------------------

# 30-Inch Gas Range

## TRANSITIONAL



### Product Dimensions



\* Side clearance above cooking surface to any objects, i.e., wall.