

# 30-Inch Dual-Fuel Range

## TRANSITIONAL

**dacor**



DOP30T940DS/DA - Silver Stainless, Natural Gas/Liquid Propane

### Features & Benefits

- Dual Four-Part Pure Convection system
- Simmersear™ brass burners
- OLED control panel with SmartThings Wi-Fi connectivity
- Auto Connect to compatible ventilation through Bluetooth
- Air sous vide
- Digital temperature probe
- Self-clean oven
- Perma-Flame
- Softshut™ hinges
- LP conversion kit
- Voice commands through Bixby/Alexa/Google

### Controls

|  |                                  |
|--|----------------------------------|
| <b>CONTROL TYPE</b>                        | 2.25" PMOLED Touchscreen & Knobs |
| <b>ILLUMINA™ KNOBS</b>                     | White                            |
| <b>WI-FI + SMARTTHINGS</b>                 | Yes                              |
| <b>BLUETOOTH AUTO CONNECT™ VENTILATION</b> | Yes                              |
| <b>CONTROL SHOWER LIGHTING</b>             | No                               |
| <b>CLOCK</b>                               | Yes                              |
| <b>DELAY START</b>                         | Yes                              |
| <b>KITCHEN TIMER</b>                       | Yes                              |
| <b>CHILD LOCK</b>                          | Yes                              |
| <b>SABBATH MODE</b>                        | Yes                              |

### Oven

|                                |                           |
|--------------------------------|---------------------------|
| <b>OVEN CAPACITY (CU. FT.)</b> | 6.3                       |
| <b>CONVECTION</b>              | Four-Part Pure Convection |
| <b>BAKE ELEMENT</b>            | 3,000W                    |
| <b>BROIL ELEMENT</b>           | 4,200W                    |
| <b>CONVECTION ELEMENT</b>      | 1,300W                    |
| <b>TEMPERATURE PROBE</b>       | Yes                       |
| <b>LIGHTING</b>                | Halogen                   |
| <b>SELF-CLEAN</b>              | Self-Clean, GreenClean™   |
| <b>SOFTSHUT™</b>               | Yes                       |

### Cooktop

|  |                 |
|--|-----------------|
| <b>NUMBER OF BURNERS</b>               | 4               |
| <b>PERMA-FLAME™ (AUTO RE-IGNITION)</b> | Yes             |
| <b>LEFT FRONT (BTU)</b>                | 16,000          |
| <b>LEFT REAR (BTU)</b>                 | 16,000          |
| <b>RIGHT FRONT (BTU)</b>               | 23,000          |
| <b>RIGHT REAR (BTU)</b>                | 9,500           |
| <b>BRASS BURNER CAPS</b>               | Yes             |
| <b>GRIDDLE</b>                         | Sold Separately |
| <b>WOK RING</b>                        | Yes             |

### Weights & Dimensions

|   |                            |
|---|----------------------------|
| <b>NET WEIGHT (LBS.)</b>                        | 238                        |
| <b>SHIPPING WEIGHT (LBS.)</b>                   | 265                        |
| <b>PRODUCT DIMENSIONS (W x H x D IN INCHES)</b> | 29 15/16 x 36 1/8 x 27 1/8 |

### Technical Details

|                                     |                             |
|-------------------------------------|-----------------------------|
| <b>ELECTRICAL REQUIREMENT</b>       | 240V, 60 Hz, 40A            |
| <b>AVAILABLE FUEL TYPES</b>         | Natural Gas, Liquid Propane |
| <b>LP CONVERSION KIT (INCLUDED)</b> | Yes                         |

### Warranty

|                      |         |
|----------------------|---------|
| <b>FULL COVERAGE</b> | 2 Years |
|----------------------|---------|

### Accessories (Optional)

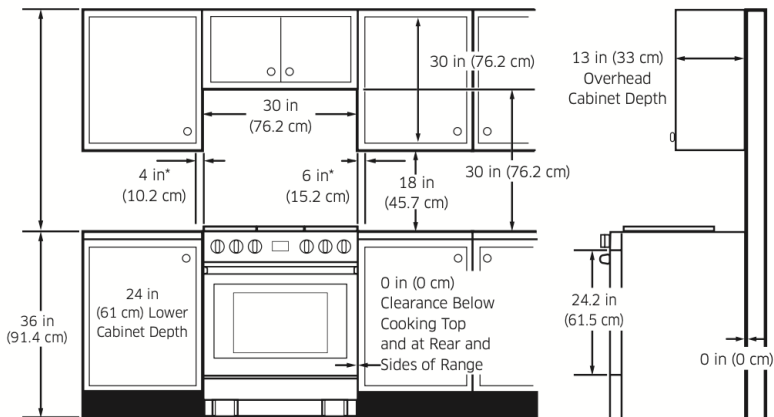
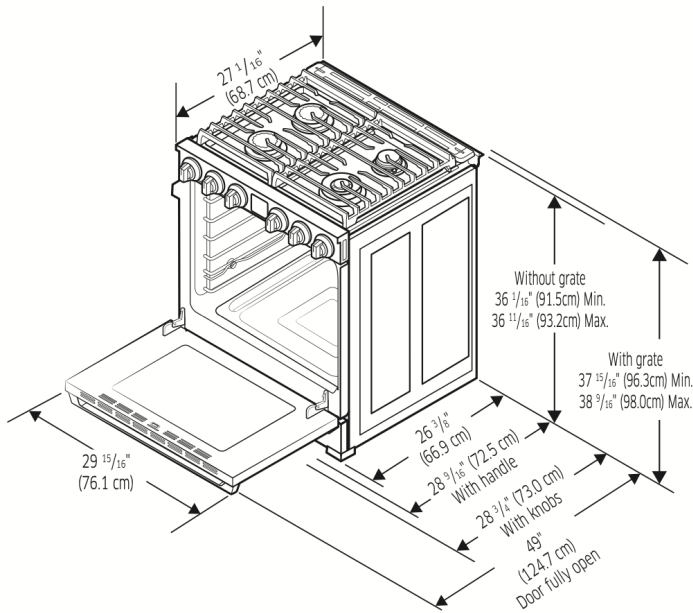
|              |                       |
|--------------|-----------------------|
| <b>ARG30</b> | Griddle for 30" Range |
|--------------|-----------------------|

# 30-Inch Dual-Fuel Steam Range



**TRANSITIONAL**

## Product Dimensions



\* Side clearance above cooking surface to any objects, i.e., wall.