



## 48-INCH GAS RANGETOP W/ EMBEDDED GRIDDLE

DTT48T963G



### AVAILABLE MODELS

- DTT48T963GS/DA 48" Rangetop, Silver, Natural Gas/Liquid Propane
- DTT48T963GM/DA 48" Rangetop, Graphite, Natural Gas/Liquid Propane

### FEATURES & BENEFITS

- 6 Dual-Stack Sealed Burners + Electric Griddle.
- SimmerSear Burners capable of both searing and simmering.
- Continuous grates.
- Illumina™ Knobs and Ambient Light.
- Liquid propane conversion kit included.
- ConnectOn Bluetooth automatic hood operation.

### ACCESSORIES (INCLUDED)

- WOK RING
- BRASS BURNER CAPS
- BLACK BURNER CAPS

### BURNER PERFORMANCE

TOTAL NUMBER OF COOKTOP BURNERS	6 (BRASS)
LEFT FRONT (BTU)	18,000 DUAL RING
LEFT REAR (BTU)	16,000 STACK
CENTER FRONT (BTU)	22,000 DUAL RING
CENTER REAR (BTU)	9,000 STACK
RIGHT FRONT (BTU)	16,000 STACK
RIGHT REAR (BTU)	16,000 STACK
SEALED BURNERS	YES

### GRIDDLE PERFORMANCE

ELECTRIC	1,400W
----------	--------

### CONTROL FEATURES

LED KNOB BACKLIGHTING	YES
LED AMBIENT LIGHTING	YES
LED CONTROL BUTTON	YES
WI FI CONNECT LED	YES
WI FI CONNECT BUTTON	YES
BLUETOOTH CONNECT LED	YES
BLUETOOTH CONNECT BUTTON	YES

### ADDITIONAL FEATURES

RE-IGNITION	YES
OIL PAN	YES

### INSTALLATION

GAS TYPE	NATURAL GAS/ LIQUID PROPANE
POWER CORD	YES

### TECHNICAL DETAILS

CIRCUIT BREAKER (A)	20
VOLTS (V)	120
FREQUENCY (HZ)	60
ENERGY SOURCE	GAS AND ELECTRIC

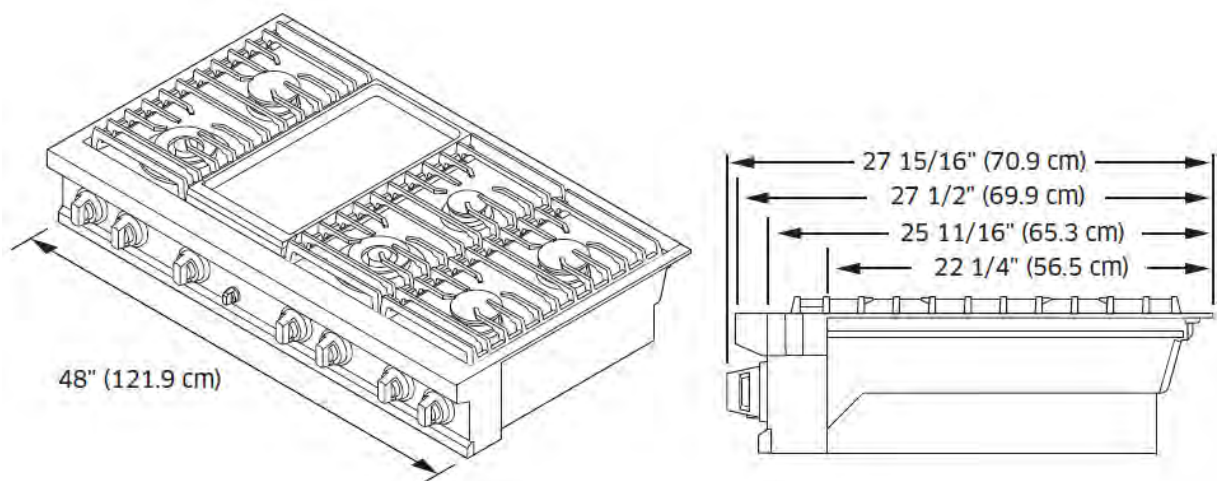
### DIMENSIONS & WEIGHT

APPLIANCE DIMENSIONS (W X H X D) (IN.)	47 7/8" x 8" x 27 7/8"
--	------------------------

### WARRANTY

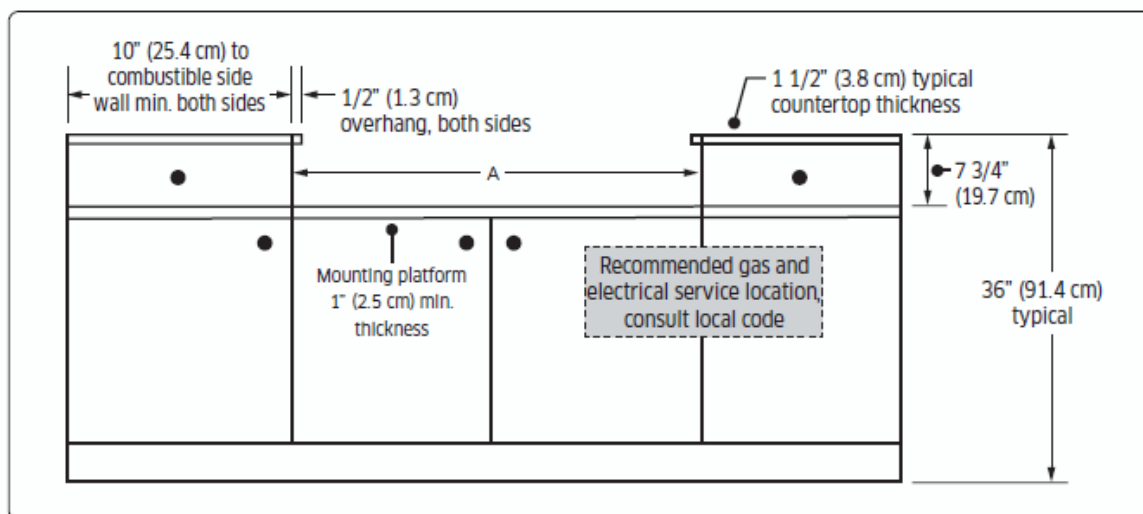
LIMITED, PARTS AND LABOR	2 YEARS
--------------------------	---------

### APPLIANCE DIMENSIONS

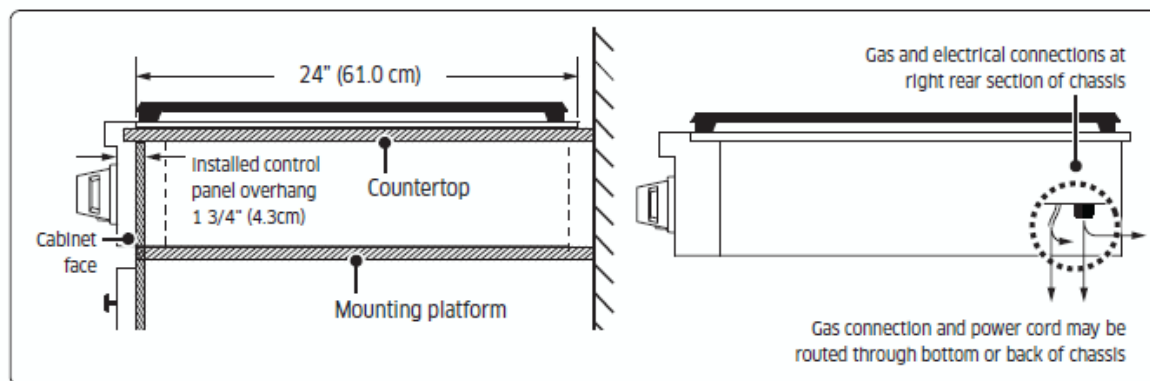


### CABINET/COUNTERTOP DIMENSIONS

Cabinet/Countertop Dimensions (front view)



Installed Rangetop (side view)



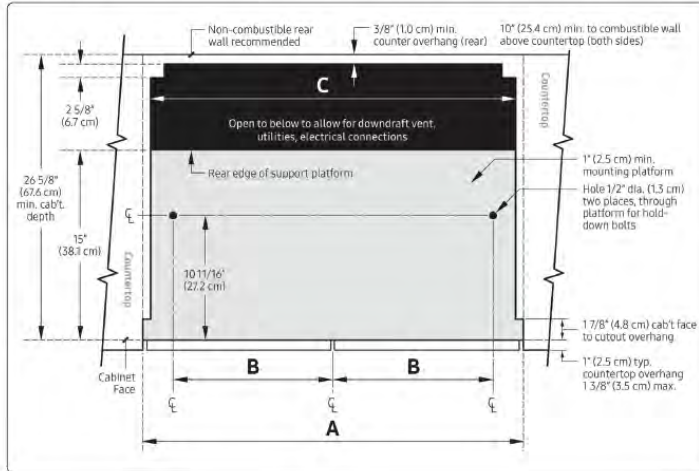
**NOTE:** Gas and electrical connections may only be routed through the bottom of the rangetop when installed with a downdraft vent.

### CABINET/COUNTERTOP CUTOUT DIMENSIONS

#### Cabinet/Countertop Cutout Dimensions-With Downdraft Vent (top view)

##### NOTE

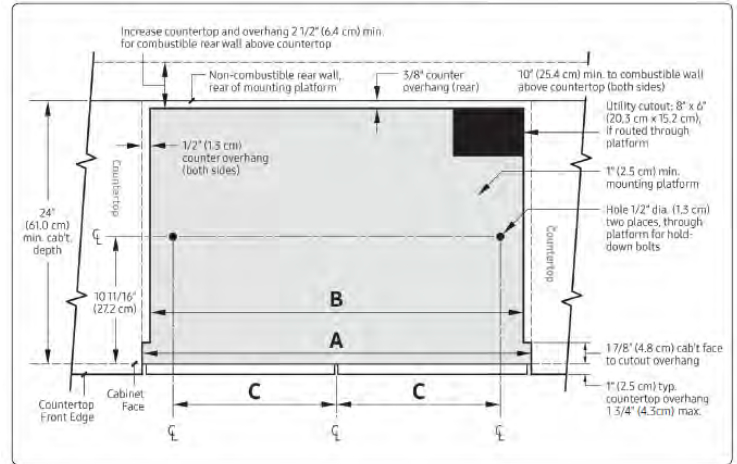
Gas and electrical connections must be routed through the bottom of the rangetop when installed with a downdraft vent.



Model	A: Cutout Width	B: Hole Offset	C Downdraft Vent Cutout	Approved Downdraft Vent Models*
DTT48T963	48" (121.9 cm)	20 13/16" (52.9 cm)	43 1/2" (110.5 cm)	MRV48M/S

\*IMPORTANT: Use only the downdraft vent models specified.

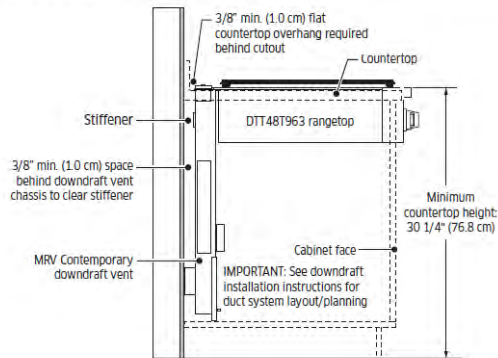
#### Cabinet/Countertop Cutout Dimensions-No Downdraft Vent (top view)



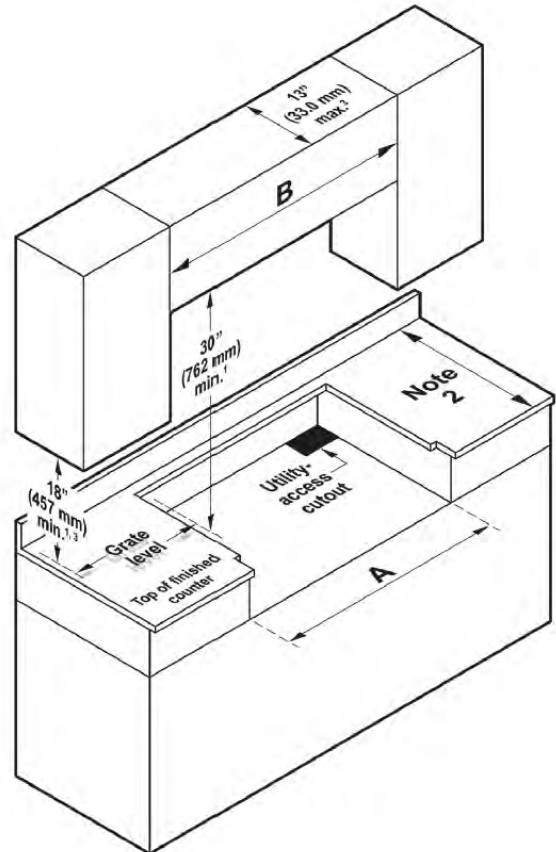
Rangetop Model	A	B	C
DTT48T963	48" (121.9 cm)	47" (119.4 cm)	20 13/16" (52.9 cm)

#### Countertop Cutout Dimensions, cont.

##### Cabinet/Countertop-With Downdraft Vent (side view)



### CLEARANCE DIMENSIONS



**NOTE:** All vertical clearances must be maintained for a minimum of 18" (457mm) above the cooking surface.