

dacor[®]

Installation Instructions
Instructions d'Installation
Instrucciones para instalación

**Pro-Canopy Wall Hood
Hotte murale Pro-Canopy
Campana de pared Pro-Canopy**

DHD**U990C*/DA

Contents

Before You Begin	3
Important Notes	3
Customer Service	3
Important Safety Instructions	4
Installation Requirements	7
Electrical requirements	7
Venting requirements	8
Venting methods	8
Ducting options	9
What is in the box	10
Tools and parts	10
Dimensions and clearances	11
Accessories - Sold Separately	11
Installation	12
Installation instructions	12
Outside top exhaust	12
Complete preparation	15
Mounting the hood	16
Install hood internal fan motor	16
Electrical connection	18
Completing the installation	19
Attach Dacor badge	20

Before You Begin

Important Notes

Installer

- In the interest of safety and to minimize problems, read this manual thoroughly before starting the installation.
- Leave this manual with the customer.
- Show the owner how to shut off power to the hood.

Customer

Keep this manual for personal and professional reference.

Customer Service

To resolve questions and installation issues, contact your Dacor dealer or Dacor customer service. Before calling, have the hood's model and serial number available. (See the data label inside the hood above the filters on the chassis' rear wall).

All specifications are subject to change without notice. Dacor assumes no liability for such changes.
©2022 Dacor, all rights reserved.

Important Safety Instructions

**APPROVED FOR RESIDENTIAL APPLIANCES
FOR RESIDENTIAL USE ONLY
READ AND SAVE THESE INSTRUCTIONS**

**PLEASE READ ENTIRE INSTALLATION GUIDE BEFORE PROCEEDING.
INSTALLATION MUST COMPLY WITH ALL LOCAL CODES.**

IMPORTANT: Save these instructions for the local electrical inspector's use.
INSTALLER: Please leave these instructions with this unit for the owner.
OWNER: Please retain these instructions for future reference.

Symbols used in this manual

WARNING

Hazards or unsafe practices that may result in severe personal injury or death.

WARNING

Turn off power circuit at service panel and lock out panel before wiring this appliance.

CAUTION

Hazards or unsafe practices that may result in electric shock, personal injury, or property damage.

NOTE

Useful tips and instructions.

These warning icons and symbols are here to prevent injury to you and others.

Please follow them explicitly. After reading this section, keep it in a safe place for future reference.

State of California Proposition 65 warning (US only)

WARNING

This product contains chemicals known to the State of California to cause cancer and birth defects or other reproductive harm - www.p65warnings.ca.gov

1. FCC Notice

CAUTION

FCC CAUTION:

Any changes or modifications not expressly approved by the party responsible for compliance could void the user's authority to operate the equipment.

This device complies with Part 15 of FCC Rules. Operation is subject to following two conditions:

1. This device may not cause harmful interference, and
 2. This device must accept any interference received including interference that cause undesired operation.
- For products sold in the US and Canadian markets, only channels 1~11 are available. You cannot select any other channels.

FCC STATEMENT:

This equipment has been tested and found to comply within the limits for a Class B digital device, pursuant to part 15 of the FCC Rules. These limits are designed to provide reasonable protection against harmful interference in a residential installation.

Important Safety Instructions

This equipment generates, uses, and can radiate radio frequency energy and, if not installed and used in accordance with the instructions, may cause harmful interference to radio communications.

However, there is no guarantee that interference will not occur in a particular installation. If this equipment does cause harmful interference to radio or television reception, which can be determined by turning the equipment off and on, the user is encouraged to try to correct the interference by one or more of the following measures:

- Reorienting or relocating the receiving antenna
- Increasing the separation between the equipment and receiver
- Connecting the equipment to an outlet that is on a different circuit than the radio or TV
- Consulting the dealer or an experienced radio/TV technician for help

FCC RADIATION EXPOSURE STATEMENT:

This equipment complies with FCC radiation exposure limits set forth for an uncontrolled environment. This equipment should be installed and operated so there is at least 8 inches (20 cm) between the radiator and your body. This device and its antenna(s) must not be co-located or operated in conjunction with any other antenna or transmitter.

2. IC Notice

The term "IC" before the radio certification number only signifies that Industry Canada technical specifications were met. Operation is subject to the following two conditions: (1) this device may not cause interference, and (2) this device must accept any interference, including interference that may cause undesired operation of the device.

This Class B digital apparatus complies with Canadian ICES-003. For products sold in the US and Canadian markets, only channels 1~11 are available. You cannot select any other channels.

IC RADIATION EXPOSURE STATEMENT:

This equipment complies with IC RSS-102 radiation exposure limits set forth for an uncontrolled environment. This equipment should be installed and operated so there is at least 8 inches (20 cm) between the radiator and your body. This device and its antenna(s) must not be co-located or operated in conjunction with any other antenna or transmitter.

▲ WARNING

TO REDUCE THE RISK OF FIRE, ELECTRIC SHOCK, OR INJURY TO PERSONS, OBSERVE THE FOLLOWING PRECAUTIONS:

- Use this unit only in the manner intended by the manufacturer. If you have questions, contact the manufacturer.
- Before servicing or cleaning the unit, switch the power off at the service panel and lock the service panel to prevent power from being switched on accidentally. If the service panel cannot be locked, securely fasten a prominent warning device, such as a tag to the service panel.
- Installation work and electrical wiring must be done by qualified person(s) in accordance with all applicable codes and standards, including fire-rated construction.
- Sufficient air is needed for proper combustion and exhausting of gases through the flue (chimney) of fuel burning equipment to prevent backdrafting. Follow the heating equipment manufacturer's guideline and safety standards such as those published by the National Fire Protection Association (NFPA), the American Society for Heating, Refrigeration and Air Conditioning Engineers (ASHRAE), and the local code authorities.
- When cutting or drilling into the wall or ceiling; do not damage electrical wiring and other hidden utilities.
- Ducted fans must always be vented outdoors.

▲ CAUTION

For general ventilating use only. Do not use to exhaust hazardous or explosive materials and vapors.

Important Safety Instructions

CAUTION

To reduce risk of fire and to properly exhaust air, be sure to duct air outside - do not vent exhaust air into spaces within walls or ceilings, attics or into crawl spaces, or garages.

WARNING

TO REDUCE THE RISK OF FIRE, USE ONLY METAL DUCTWORK

WARNING

TO REDUCE THE RISK OF A RANGE TOP GREASE FIRE:

- Never leave surface units unattended at high settings. Boilovers cause smoking and greasy spillovers that may ignite. Heat oils slowly on low or medium settings.
- Always turn the hood ON when cooking at high heat or when flambeing food (i.e. Crepes Suzette, Cherries Jubilee, Peppercorn Beef Flambé).
- Clean ventilating fans frequently. Grease should not be allowed to accumulate on the fan or filter.
- Use proper pan sizes. Always use cookware appropriate for the size of the surface element.

WARNING

TO REDUCE THE RISK OF INJURY TO PERSONS IN THE EVENT OF A RANGE TOP GREASE FIRE, OBSERVE THE FOLLOWING PRECAUTIONS:*

- SMOTHER FLAMES with a close fitting lid, cookie sheet, or metal tray, then turn off the burner.
BE CAREFUL TO PREVENT BURNS. If the flames do not go out immediately, EVACUATE AND CALL THE FIRE DEPARTMENT.
- NEVER PICK UP A FLAMMING PAN - you may get burned.
- DO NOT USE WATER, including wet dishcloths or towels - a violent steam explosion will result.
- Use an extinguisher ONLY if:
 - You know you have a class ABC extinguisher, and you already know how to operate it.
 - The fire is small and contained in the area where it started.
 - The fire department is being called.
 - You can fight the fire with your back to an exit.

*Based on "Kitchen Fire Safety Tips" published by NFPA.

WARNING

To reduce the risk of fire or electrical shock, do not use this fan with any solid-state speed control device.

WARNING

Do not let children near this appliance. Do not let children play with this appliance.

Keep all packaging materials out of children's reach. Properly dispose the packaging materials after this appliance is unpacked.

NOTE

Suitable for use in household cooking area.

Read and save these Instructions

Installation Requirements

Electrical requirements

IMPORTANT

Observe all governing codes and ordinances.

It is the customer's responsibility:

- To contact a qualified electrical installer.
- To assure that the electrical installation is adequate and in conformance with National Electrical Code, ANSI/NFPA 70 — latest edition*, or CSA Standards C22.1-94, Canadian Electrical Code, Part 1 and C22.2 No.0-M91 - latest edition** and all local codes and ordinances.

If codes permit and a separate ground wire is used, it is recommended that a qualified electrician determine that the ground path is adequate.

A copy of the above code standards can be obtained from:
National Fire Protection Association

1 Batterymarch Park

Quincy, MA 02169-7471

CSA International

8501 East Pleasant Valley Road

Cleveland, OH 44131-5575

- A 120 volt, 60 Hz., AC only, 15-amp, fused electrical circuit is required.
- If the house has aluminum wiring, follow the procedure below.

1. Connect a section of solid copper wire to the pigtail leads.
 2. Connect the aluminum wiring to the added section of copper wire using special connectors and/or tools designed and UL listed for joining copper to aluminum.
- Follow the electrical connector manufacturer's recommended procedure. Aluminum/copper connection must conform with local codes and industry accepted wiring practices.
 - Wire sizes and connections must conform with the rating of the appliance as specified on the model/serial rating plate. The model/serial plate is located behind the filter on the rear wall of the hood.
 - Wire sizes must conform to the requirements of the National Electrical Code, ANSI/NFPA 70 (latest edition), or CSA Standards C22.1-94, Canadian Electrical Code, Part 1 and C22.2 No. 0-M91 (latest edition and all local codes and ordinances).

Installation Requirements

Venting requirements

- Vent system must terminate outdoors.
- Do not terminate the vent system in an attic or other enclosed area.
- Do not use a 4" (10.2 cm) laundry-type wall cap.
- Use metal vent only. Rigid metal vent is recommended.
- Plastic or metal foil vent is not recommended.
- The length of the vent system and the number of elbows should be kept to a minimum to provide efficient performance. For the most efficient and quiet operation:
 - Use no more than three 90° elbows.
 - Make sure there is a minimum of 30" (76.2 cm) of straight vent between the elbows if more than 1 elbow is used. Do not install 2 elbows together.
- Use clamps to seal all joints in the vent system.
- The vent system must have a damper. If the roof or wall cap has a damper, do not use the damper supplied with the hood.
- Use caulking to seal the exterior wall or roof opening around the cap.
- The size of the vent should be uniform.

Venting methods

To use the hood's top outlet to vent your hood, a 10" (25.4 cm) round vent system is required. This vent system is not included and must be purchased separately.

NOTE

Flexible vent is not recommended. Flexible vent creates back pressure and air turbulence that greatly reduces performance. The vent system can terminate either through the roof or wall.

Always install a metal vent cover where the ductwork exits the house. Hood must be vented to the outside of building only.

Discharge direction

This hood is factory set for venting through the roof (vertical discharge) or wall (horizontal discharge).

To vent through a wall, a 90° elbow is needed.

Ductwork installation guidelines

For safety reasons, ducting should vent directly outdoors (not into an attic, underneath the house, into the garage or into any enclosed space). Do not exceed 50 ft (15.24 m) of duct. Keep duct runs as short and straight as possible. Elbows and transition fittings reduce air flow efficiency.

Back to back elbows and "S" turns give very poor delivery and are not recommended. A short straight length of duct at the inlet of a remote fan gives the best delivery.

Ducting recommendations

Proper performance is dependent upon proper ducting.

Cold weather

Cold weather installations should have an additional backdraft damper installed to minimize backward cold air flow and a nonmetallic thermal break to minimize conduction of outside temperatures as part of the ductwork. The damper should be on the cold air side of the thermal break. The break should be as close as possible to where the ducting enters the heated portion of the house.

Make-up air

Local building codes may require the use of make-up air systems when using ducted ventilation systems greater than specified CFM of air movement. The specified CFM varies from locale to locale. It is the responsibility of the owner and the installer to determine if additional requirements and/or standards apply to specific installations.

Installation Requirements

Ducting options

The hood is equipped with a 10" (25.4 cm) round transition for discharge of fumes to the outside.

Closely follow the instructions set out in this manual. Dacor is not responsible for any eventual inconveniences, damages or fires caused by not complying with the instructions in this manual.

Preparation

Do not cut a joist or stud unless absolutely necessary. If a joist or stud must be cut, then a supporting frame must be constructed.

Fittings material is provided to secure the hood to most types of walls/ceilings.

However, a qualified technician must verify suitability of the materials in accordance with the type of wall/ceiling.

Before making cutouts, make sure there is proper clearance within the ceiling or wall for the exhaust vent.

Mounting height

⚠ CAUTION

Mount this hood so that the bottom edge above the cooking surface is at 30" (76.2 cm) minimum for a gas cooking surface or 24" (60.9 cm) for an electric cooking surface.

There is no maximum mounting height, however, we recommend mounting the hood no greater than 36" (91.4 cm) above the cooking surface. For every inch (2.5 cm) above 36" (91.4 cm), fume and moisture capture efficiency diminishes at an increasing rate and may not deliver an acceptable level of ventilating performance.

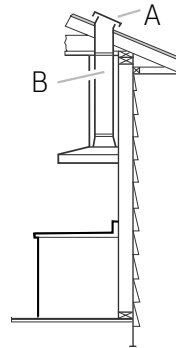
This hood is intended for household use.

Check your ceiling height and hood height before selecting your hood.

Horizontal discharge

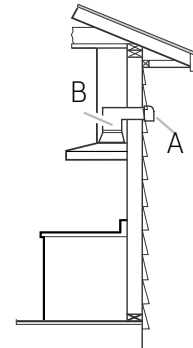
A 90° elbow may be installed immediately above the hood.

Roof Venting



A. Roof Cap
B. 10" (25.4 cm)
Round Vent

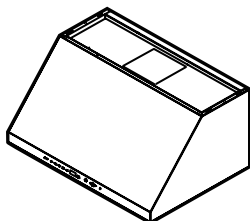
Wall Venting



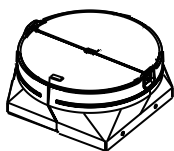
A. Wall Cap
B. 10" (25.4 cm)
Round Vent

Installation Requirements

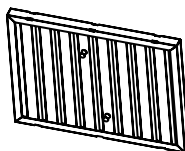
What is in the box



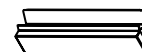
Hood assembly (1)



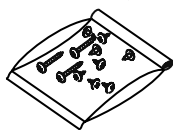
10" Transition (1)



Filters
30" (2)
36" (2)
48" (3)



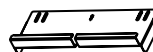
Drip trays
30" (2)
36" (2)
48" (3)



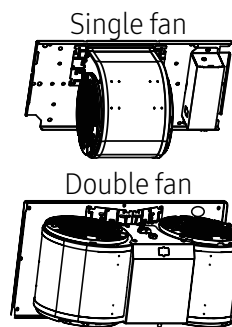
Hardware bag (1)



Product literature (2)



Drip tray bracket
30" (1)
36" (1)
48" (2)



Motor fan assembly
30" (Single fan)
36" (Double fan)
48" (Double fan)

Tools and parts

Removing the packaging

⚠ CAUTION


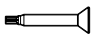
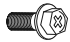

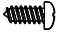




Remove the carton carefully. Wear gloves to protect against sharp edges.

⚠ WARNING

Remove the protective film before putting into operation.

Parts supplied

- Hardware bag includes:

Part	Qty	Part	Qty
 6 x 80 mm	6	 Torx 20 adapter	1
 6 x 16 mm	4	 Ø 6.4 x 11 mm washers	4
 4.2 x 19 mm	4	 Ø 5.3 x 20 mm washers	2
 Drip tray screws	2	 3.5 x 9.5 mm	4
 10 x 60 mm	6	 6 - 9 wire fan connector	1

Installation Requirements

Parts not supplied

- Metal snips
- Screwdrivers:
 - Phillips
 - Flat - blade

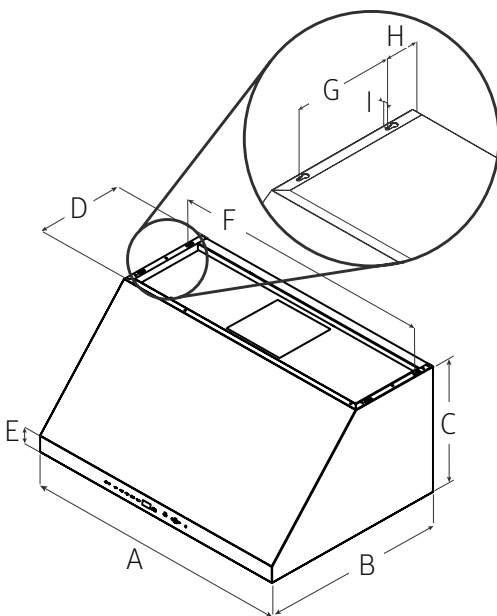
Tools/materials required

- Level
- Drill with 1" (2.5 cm), 3/8" (3.0 mm) and 5/8" (15.8 mm) drill bits
- Pencil
- Wire stripper or utility knife
- Tape measure or ruler
- Pliers
- Caulking gun and weatherproof caulking compound
- Vent clamps
- Jigsaw

Parts needed

- Home power supply cable
- 1/2" (12.7 mm) UL listed or CSA approved strain relief
- 3 UL listed wire connectors
- 1 wall or roof cap
- Metal vent system

Dimensions and clearances



	30"	36"	48"
A	30" (76 cm)	36" (91.2 cm)	48" (121.7 cm)
B	25" (63.2 cm)		
C	18" (45.7 cm)		
D	12" (30.5 cm)		
E	2 3/4" (7 cm)		
F	29 1/8" (74 cm)	35 1/8" (89.2 cm)	47 1/16" (119.6 cm)
G	7 1/2" (19 cm)		
H	2 9/16" (6.5 cm)		
I	3/8" (1 cm)		

Accessories - Sold Separately

	DHD30U990CS/DA	DHD36U990CS/DA	DHD48U990CS/DA	DHD30U990CM/DA	DHD36U990CM/DA	DHD48U990CM/DA
Duct Cover Kit	DHD-D3020CS/DA	DHD-D3620CS/DA	DHD-D4820CS/DA	DHD-D3020CM/DA	DHD-D3620CM/DA	DHD-D4820CM/DA
Extension Kit	DHD-D0000CS/DA			DHD-D0000CM/DA		

Installation

Installation instructions

We recommend that a qualified technician install the hood. It is the installer's responsibility to ensure the hood complies with the installation clearances specified for the product.

- It is recommended that the vent system be installed before the hood is installed.
- If possible, disconnect and remove any cooking appliance from beneath the hood area to provide easier access to the rear wall.
- Before making cutouts, make sure there is proper clearance within the ceiling or wall for the exhaust vent.

- Confirm that all installation parts have been removed from the shipping carton.
1. Turn off the power at the circuit breaker panel or fuse box.
 2. Determine which venting method to use: roof or wall exhaust.

NOTE

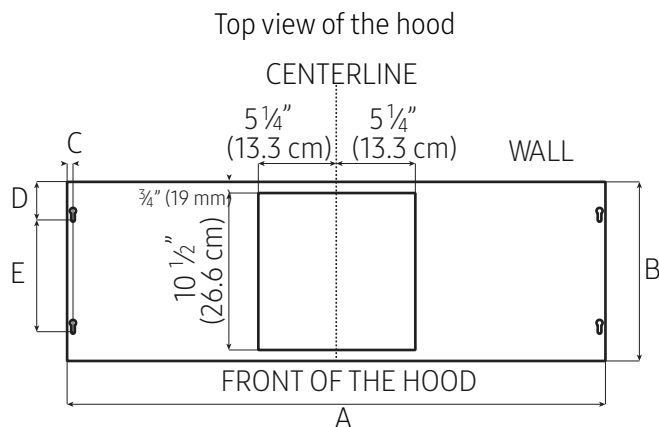
This hood is factory set to vent through the top air exit.

3. Select a flat surface for assembling the hood. Place a covering over that surface.

Outside top exhaust

Top installation diagram

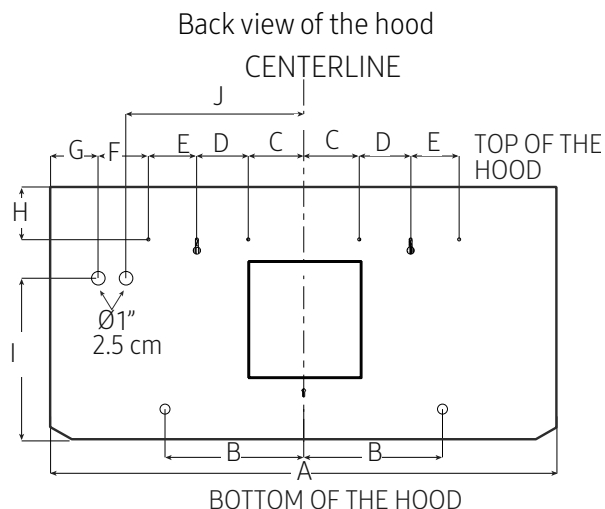
Use the diagram or the hood as a template and mark the locations for the ductwork, electrical wiring and keyhole screw slots.



	30"	36"	48"
A	30" (76 cm)	36" (91.2 cm)	48" (121.7 cm)
B	12" (30.5 cm)		
C	1" (2.5 cm)		
D	2 5/8" (6.5 cm)		
E	7 1/2" (19 cm)		

Rear installation diagram

Use the diagram or the hood as a template and mark the locations on the wall for electrical wiring and keyhole screws slots.



	30"	36"	48"
A	30" (75.5 cm)	36" (90.6 cm)	48" (121.1 cm)
B	9 13/16" (25 cm)		
C	3 15/16" (10 cm)		
D	3 5/8" (9.2 cm)		
E	3 7/16" (8.7 cm)		
F	2" (5 cm)		
G	3 1/4" (8.2 cm)		
H	3 11/16" (9.3 cm)		
I	11 3/8" (28.9 cm)		
J	9 5/8" (24.5 cm)	12 5/8" (32 cm)	18 5/8" (47.3 cm)

Installation

Wall installation

▲ WARNING

USE TWO OR MORE PEOPLE TO MOVE AND INSTALL THE HOOD. FAILURE TO DO SO CAN RESULT IN BACK OR OTHER INJURY.

The hood is attached to the wall with a wood support that is attached to the inside back of the hood. To support the hood safely, the wood support must be fixed firmly to at least 2 vertical wooden studs that are located behind the sheetrock that makes up the wall.

📖 NOTE

These instructions are not applicable to masonry (brick, concrete, etc.) walls. If you have a masonry wall, consult a professional installer.

IMPORTANT: The studs (or wall if you have a masonry wall) must be capable of supporting up to 150 lbs.

📖 NOTE

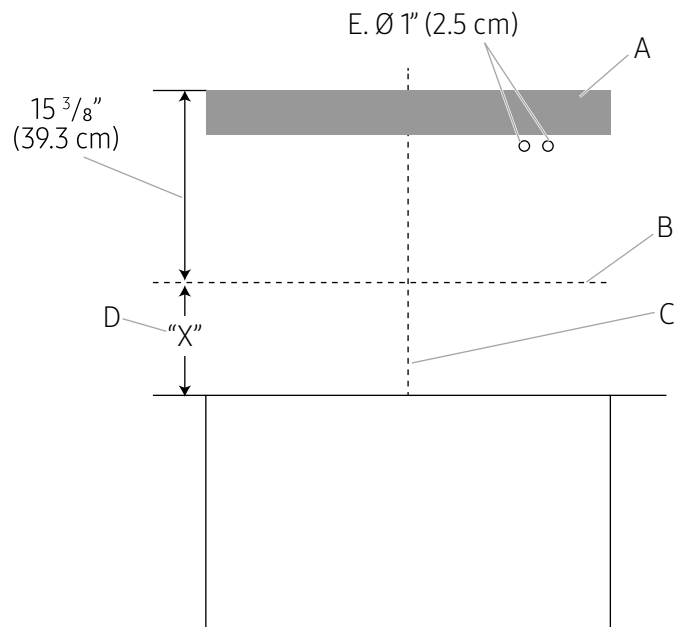
If your kitchen has wood framing, at least 2 screws provided for mounting this hood must be fastened into solid wood studs. Do not fasten into sheetrock only.

📖 NOTE

Mark the hood knockouts on the wall and make the necessary cutouts before installing the hood.

Installation instructions for wood framing

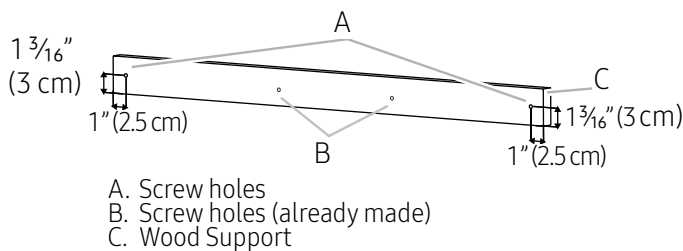
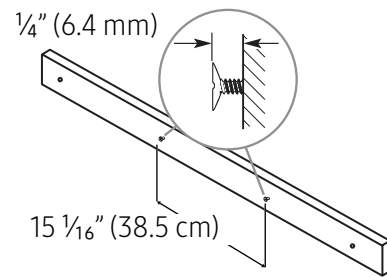
1. Determine and mark the centerline on the wall where the hood will be installed.
2. Select a mounting height "X" for the bottom of the hood (See D below).
 - For gas cooking installations: Mount the hood so the bottom is at least 30" (76.2 cm) above the cooking surface.
 - For electric/induction cooking installations: Mount the hood so the bottom is at least 24" (60.9 cm) above the cooking surface.
3. Mark a horizontal reference line on the wall (B below) for the bottom of the hood. Use a level to confirm that the line is leveled.
4. Find and mark the location of the wood studs or wood supports behind the wall. See rear installation diagram.
5. Draw a line $15\frac{3}{8}"$ (39.3 cm) above the reference line for the bottom of the hood to mark the wood support location on the wall. Use a level to confirm that the line is leveled.



- A. Wood support
- B. Bottom of hood
- C. Center Line
- D. Dimension "X" = hood mounting height
- E. Knockout wiring holes

Installation

6. Remove the wood support from the back of the hood by loosening the 2 screws from the inside.
7. Line the top of the wood support up with the wood support location line on the wall, and then center it on the center line.
8. Locate the marks for the studs on the wood support, and then draw two vertical lines marking where the studs intersect with the wood support.
9. Mark the center of each line, remove the wood support from the wall, and then drill a pilot hole on the support at each mark.
10. Again, line the top of the wood support up with the wood support location line, and then center it on the centerline.
11. Push a pencil point or awl through the holes you just drilled in the wood support to mark on the wall the location of the pilot holes for 2 - 6 x 80 mm screws that will go into the studs.
12. Also mark on the wall the locations of two additional pilot holes (B) by pushing a pencil point or awl through pre-drilled holes in the center of the wood support. These holes are for the supplied 2 - 10 x 60 mm wall anchors. See the diagram below.
13. Remove the wood support, and then drill four pilot holes into the wall.
14. Push 2 - 10 x 60 mm of the supplied wall anchors into the two pilot holes at the center.
15. Fasten the wood support to the wall by screwing 2 - 6 x 80 mm fixing screws through the wood support into the pilot holes you drilled in the studs.
16. Using the rear installation diagram as a guide (see page 12), cut the knockout wiring holes in the wall.
17. Screw 2 - 6 x 80 mm screw (mounting screws) into the holes (B) in the center of the wood support. Screw them through the support into the anchors underneath. Leave a $\frac{1}{4}$ " (6.4 mm) gap between the wall and the back of the screw head to slide the hood into place.



NOTE

Once the hood is mounted you must tighten these screws.

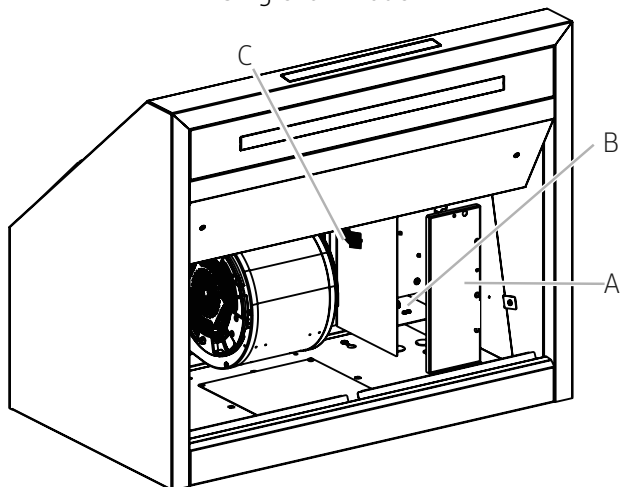
Installation

Complete preparation

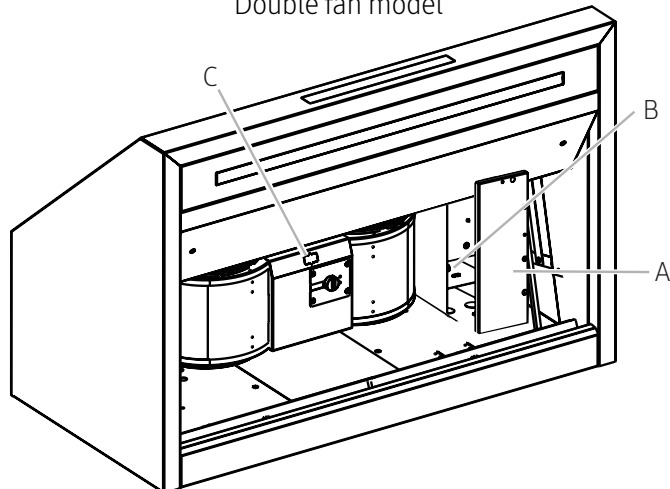
1. Determine and make all necessary cuts in the wall or roof for the vent system. Install the vent system before installing the hood. See the "Venting Methods" section.
2. Determine the location where the power supply cable will be run through the wall.
3. Drill a 1" (2.5 cm) hole at this location.
4. Pull enough power supply cable through the wall to allow for easy connection to the terminal box.
5. Remove the terminal box cover and set aside.
6. For all hood models install the 10" (25.4 cm) round vent transition with damper to the top of the hood (depending on your installation), using 4- 3.5 x 9.5 mm screws.
7. Remove the knockout from the back of the hood and install a UL listed or CSA approved 1/2" (1.3 cm) strain relief.

- A. Terminal box cover
- B. Knockout
- C. Power supply wire connector

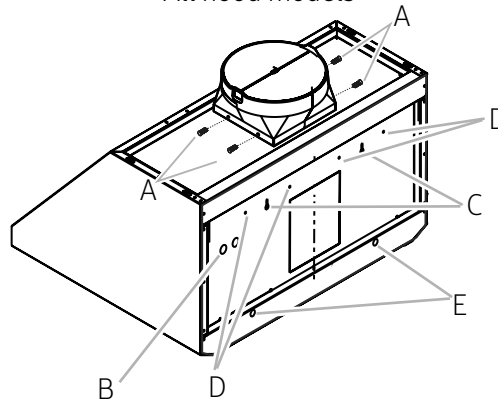
Single fan model



Double fan model



All hood models



- A. 4 - 3.5 x 9.5 mm screws
- B. Knockout
- C. Mounting screws slot
- D. 4 - 4.2 x 19 mm screws slots
- E. 2 - 6 x 80 mm screws slots

NOTE

The exhaust adaptor/damper can be installed up to 1 inch on either side of the hood center to accommodate off-center ductwork.

In extreme off-center installations, one end of the duct connector may need to be trimmed to clear the electrical cable clamp.

8. Place the hood near its mounting position and run the power supply cable through the strain relief into the terminal box (enough to make connection).
9. Tighten the strain relief screws.
10. Make the electrical connection. See the "Electrical connection" section (p.18).

Installation

Mounting the hood

NOTE

Mark the hood knockouts on the wall, and then make the necessary cutouts before the installation.

NOTE

The hood attaches to the wall by the 6 mounting screws in the wood support mounted to the wall.

To mount the hood, follow these steps:

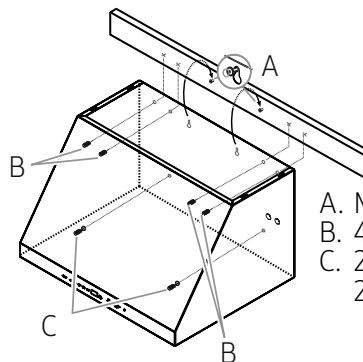
1. Using 2 or more people, hang the hood on the wall by placing the 2 screws mounted in the wood support attached to the wall through the wide portion of the slotted holes in the back of the hood.

NOTE

If your installation uses the optional duct cover, the vent system needs to be connected to the hood and the duct cover mounted to the top of the hood before you tighten the mounting screws.

2. Pull the hood down so the screws protrude through the narrow portions of the slots, align the bottom of the hood with the horizontal line marking the hood bottom, level the hood, and then tighten the 2 mounting screws.

3. Mark 2 lower mounting hole locations. Drill $\frac{1}{8}$ " (0.32 cm) pilot holes if the holes will be drilled into wood studs or framing. If the holes will not be drilled into wood, drill two $\frac{3}{8}$ " (0.95 cm) pilot holes and insert 10 x 60 mm wall anchors. Install 2 - 6 x 80 mm screws with 5.3 x 20 mm washers (D and C) into the lower mounting holes, and then tighten.



- A. Mounting screws
- B. 4 - 4.2 x 19 mm screws
- C. 2 - 6 x 80 mm screws with 2 - 5.3 x 20 mm washers

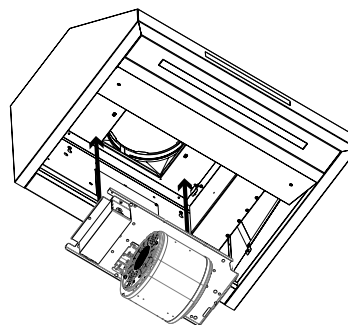
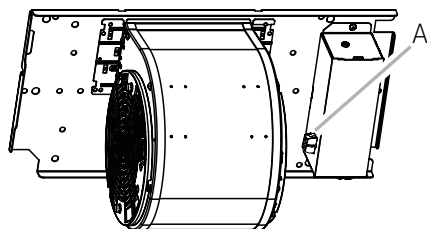
4. Install the 4 - 4.2 x 19 mm screws (B) through the back of the hood into the wood support, and then tighten.
5. Connect the vent system to the hood. Seal all joint with clamps.

Install hood internal fan motor

1. Place the hood fan motor assembly inside the hood.

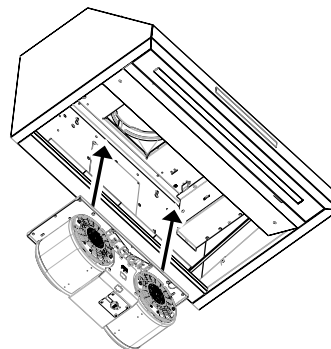
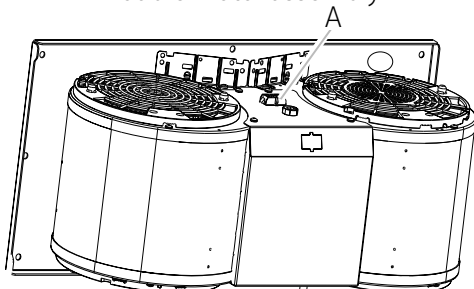
A. Wire connection

Single motor assembly



Single motor assembly

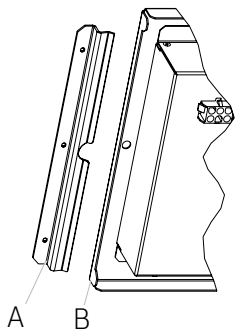
Double motor assembly



Double motor assembly

Installation

- Slide the left mounting plate flange under the fan motor mounting bracket.

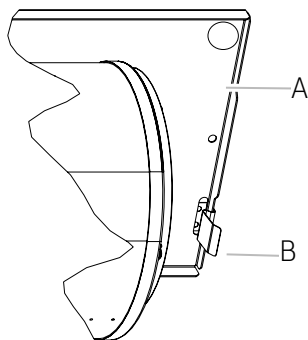


- A. Motor mounting bracket
- B. Mounting plate left flange

- Push the right end of the motor mounting plate up, and then snap it into the spring tab.

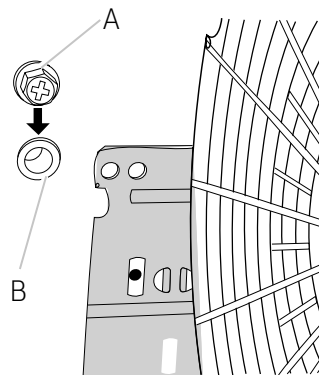
NOTE

The spring tab should be outside the slot in the mounting plate.



- A. Motor mounting plate
- B. Spring tab

- Align the mounting holes and then install 4 - 6 x 16 mm screws with 4 - 6.4 x 11 mm lock washers.

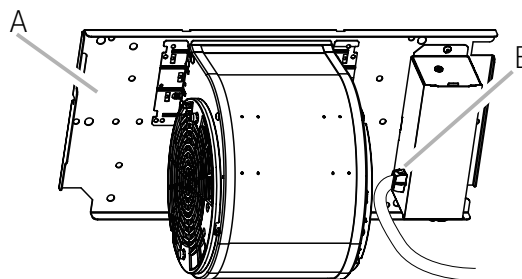


- A. Screw with lock washer
- B. Mounting hole

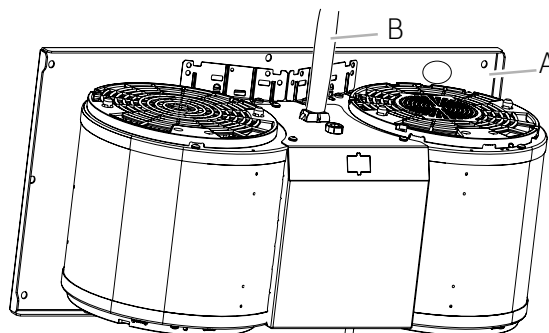
- Make the connection between the fan and the terminal box with the supplied wire fan connector.

- A. Motor mounting plate
- B. Power supply wire fan connector

Single motor assembly



Double motor assembly



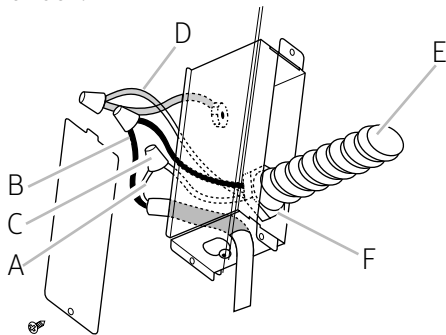
Installation

Electrical connection

▲ WARNING

ELECTRICAL SHOCK HAZARD. DISCONNECT POWER BEFORE SERVICING. REPLACE ALL PARTS AND PANELS BEFORE OPERATING. FAILURE TO DO SO CAN RESULT IN DEATH OR ELECTRICAL SHOCK.

1. Run 3 wires - black, white, and green - according to the National Electrical Code and local codes and ordinances, in $\frac{1}{2}$ " conduit from the service panel to the terminal box.



- | | |
|--|-----------------------------------|
| A. White wires | E. Home power supply |
| B. Black wires | F. UL listed or CSA |
| C. UL listed wire connectors | approved $\frac{1}{2}$ " (1.3 cm) |
| D. Green, bare or yellow/
green wires | strain relief |

▲ WARNING

ELECTRICALLY GROUND THE FAN. CONNECT THE GROUND WIRE TO THE GREEN AND YELLOW GROUND WIRES IN THE TERMINAL BOX. FAILURE TO DO SO CAN RESULT IN DEATH OR ELECTRICAL SHOCK.

2. Use UL listed wire connectors and connect black wires (B) together.
3. Use UL listed wire connectors and connect white wires (A) together.
4. Connect green (or bare) ground wire from home power supply to the green/yellow ground wire (D) in terminal box using UL listed wire connectors.
5. Close and secure the terminal box cover.

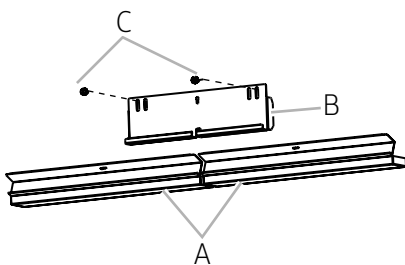
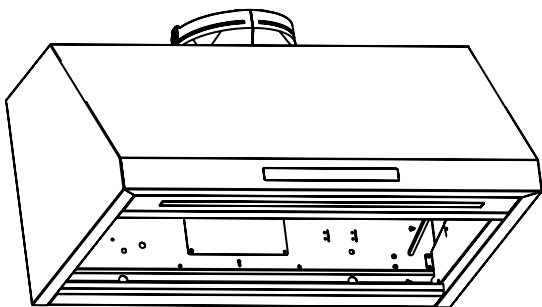
Installation

Completing the installation

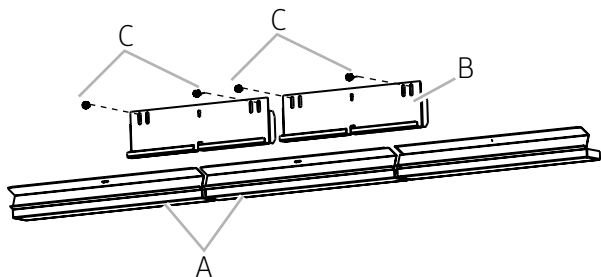
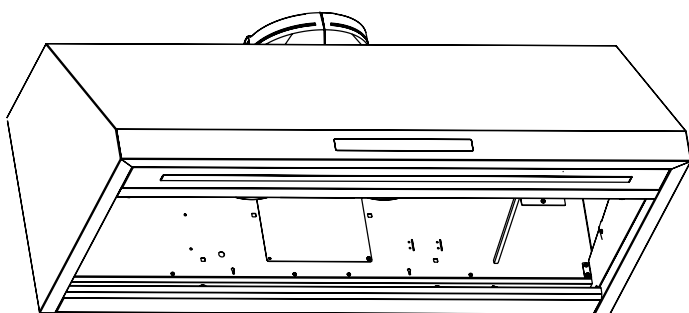
1. Place the drip tray bracket over the hood back filter support and place 2 drip tray screws on the slots.

- A. Drip trays
- B. Drip tray bracket
- C. Drip tray screws

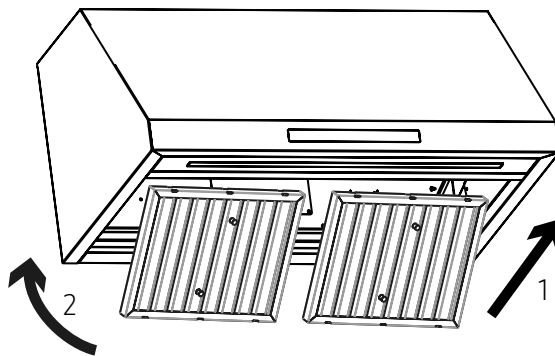
Single motor assembly



Double motor assembly



2. Grasp the filter handles with both hands and then place the front edge of the filter into the hood.
3. Push up on the back of the handle, and then set rear of filter into the drip tray to secure. Repeat for each filter.



Model shown for reference only, features may vary

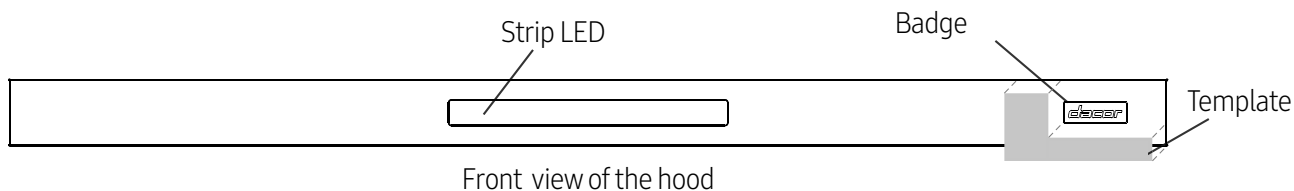
Place the filters and check the operation of the hood.

- To get the most efficient use from your new hood, read the "Use and Care" manual.
- Keep these Installation Instructions and Use and Care Guide close to hood for easy reference.

Installation

Attach Dacor badge

Use the template on this page for alignment of the badge. Cut out the template and tape it onto the hood front surface and verify the template is aligned with the right side of the hood and within the upper and lower edge of the front surface. Practice placing the badge first before removing the adhesive release paper.



NOTE: The badge has very high retention adhesive - once the badge is attached its extremely difficult to remove.

Before removing the release paper from the back of the badge, practice placing the badge in the proper position on the hood without any overlap between the badge and this template.

After this practice, remove the release paper from the back of the badge, and attach the badge to the hood without any overlap of the badge to this template.

Remove and discard this template.

Sommaire

Avant de Commencer	22
Remarques importantes	22
Service à la clientèle	22
Important Safety Instructions	23
Exigences d'installation	26
Exigences électriques	26
Exigences de ventilation	27
Méthodes d'évacuation	27
Options de conduits	28
Ce que contient la boîte	29
Outils et pièces	29
Dimensions et dégagements	30
Accessoires - vendus séparément	30
Installation	31
Instructions d'installation	31
Échappement supérieur extérieur	31
Préparation complète	34
Montage de la hotte	35
Installer le moteur du ventilateur interne de la hotte	35
Connexion électrique	37
Terminer l'installation	38
Fixez le badge de la plaque Dacor	39

Avant de Commencer

Remarques importantes

Installateur

- Dans l'intérêt de la sécurité et pour minimiser les problèmes, lisez attentivement ce manuel avant de commencer l'installation.
- Laissez ce manuel au client.
- Montrez au propriétaire comment couper l'alimentation de la hotte.

Client

Conservez ce manuel pour vous y référer à titre personnel et professionnel.

Service à la clientèle

Pour résoudre les questions et les problèmes d'installation, contactez votre revendeur Dacor ou le service client Dacor. Avant d'appeler, munissez-vous du modèle et du numéro de série de la hotte. (Voir l'étiquette de données à l'intérieur de la hotte, au-dessus des filtres, sur la paroi arrière du châssis).

Toutes les spécifications sont susceptibles d'être modifiées sans préavis. Dacor n'assume aucune responsabilité pour de tels changements.

2022 Dacor, tous droits réservés.

Important Safety Instructions

**APPROUVÉ POUR LES APPAREILS RÉSIDENTIELS
POUR USAGE RÉSIDENTIEL UNIQUEMENT
LISEZ ET CONSERVEZ CES INSTRUCTIONS**

**VEUILLEZ LIRE LE GUIDE D'INSTALLATION EN ENTIER AVANT DE
PROCÉDER.**

L'INSTALLATION DOIT ÊTRE CONFORME À TOUS LES CODES LOCAUX.

IMPORTANT: Conservez ces instructions pour l'usage de l'inspecteur électrique local.

INSTALLATEUR: Veuillez laisser ces instructions avec cette unité pour le propriétaire.

PROPRIÉTAIRE: Veuillez conserver ces instructions pour toute référence ultérieure.

Symboles utilisés dans ce manuel

▲ AVERTISSEMENT

Dangers ou pratiques dangereuses pouvant entraîner des blessures graves ou la mort.

▲ AVERTISSEMENT

Coupez le circuit électrique au panneau de service et verrouillez le panneau avant de câbler cet appareil.

⚠ ATTENTION

Dangers ou pratiques dangereuses pouvant entraîner un choc électrique, des blessures corporelles ou des dommages matériels.

📖 REMARQUE

Conseils et instructions utiles.

Ces icônes et symboles d'avertissement sont là pour éviter de vous blesser ou de blesser d'autres personnes.

Veillez les respecter scrupuleusement. Après avoir lu cette section, conservez-la dans un endroit sûr pour pouvoir la consulter ultérieurement.

State of California Proposition 65 warning (US only)

▲ AVERTISSEMENT

Ce produit contient des produits chimiques connus dans l'État de Californie pour provoquer des cancers et des anomalies congénitales ou d'autres problèmes de reproduction. - www.p65warnings.ca.gov

1. FCC Notice

⚠ ATTENTION

FCC ATTENTION:

Tout changement ou modification non expressément approuvé par la partie responsable de la conformité pourrait annuler l'autorisation de l'utilisateur à utiliser l'équipement.

Cet appareil est conforme à la partie 15 des règles de la FCC. Son fonctionnement est soumis aux deux conditions suivantes :

1. Cet appareil ne doit pas causer d'interférences nuisibles, et
2. Ce dispositif doit accepter toute interférence reçue, y compris les interférences qui provoquent un fonctionnement indésirable. Pour les produits vendus sur les marchés américain et canadien, seuls les canaux 1-11 sont disponibles. Vous ne pouvez pas sélectionner d'autres canaux.

DÉCLARATION DE LA FCC :

Cet équipement a été testé et déclaré conforme aux limites d'un appareil numérique de classe B, conformément à la partie 15 des règles de la FCC. Ces limites sont conçues pour fournir une protection raisonnable contre les interférences nuisibles dans une installation résidentielle.

Instructions de Sécurité Importantes

Cet équipement génère, utilise et peut émettre une énergie de fréquence radio et, s'il n'est pas installé et utilisé conformément aux instructions, il peut causer des interférences nuisibles aux communications radio. Cependant, il n'y a aucune garantie que des interférences ne se produiront pas dans une installation particulière. Si cet équipement provoque des interférences nuisibles à la réception de la radio ou de la télévision, ce qui peut être déterminé en éteignant et en allumant l'équipement, l'utilisateur est encouragé à essayer de corriger les interférences par une ou plusieurs des mesures suivantes :

- Réorienter ou déplacer l'antenne de réception
- Augmenter la distance entre l'équipement et le récepteur
- Raccorder l'appareil à une prise de courant située sur un circuit différent de celui de la radio ou du téléviseur.
- Consulter le revendeur ou un technicien radio/TV expérimenté pour obtenir de l'aide.

DÉCLARATION D'EXPOSITION AUX RADIATIONS DE LA FCC :

Cet équipement est conforme aux limites d'exposition aux radiations fixées par la FCC pour un environnement non contrôlé. Cet équipement doit être installé et utilisé de manière à ce qu'il y ait au moins 20 cm (8 pouces) entre le radiateur et votre corps. Cet appareil et son (ses) antenne(s) ne doivent pas être situés au même endroit ou utilisés conjointement avec une autre antenne ou un autre émetteur.

2. IC Avis

Le terme "IC" précédant le numéro de certification radio signifie uniquement que les spécifications techniques d'Industrie Canada ont été respectées. Le fonctionnement est soumis aux deux conditions suivantes : (1) cet appareil ne doit pas causer d'interférences, et (2) cet appareil doit accepter toute interférence, y compris les interférences qui peuvent causer un fonctionnement non désiré de l'appareil.

Cet appareil numérique de classe B est conforme à la norme ICES-003 du Canada. Pour les produits vendus sur les marchés américain et canadien, seuls les canaux 1~11 sont disponibles. Vous ne pouvez pas sélectionner d'autres canaux.

DÉCLARATION D'EXPOSITION AUX RAYONNEMENTS D'IC :

Cet équipement est conforme aux limites d'exposition aux radiations IC RSS-102 établies pour un environnement non contrôlé. Cet équipement doit être installé et utilisé de manière à ce qu'il y ait au moins 20 cm (8 pouces) entre le radiateur et votre corps. Cet appareil et son (ses) antenne(s) ne doivent pas être co-localisés ou utilisés en conjonction avec une autre antenne ou un autre émetteur.

▲ AVERTISSEMENT

- POUR RÉDUIRE LES RISQUES D'INCENDIE, D'ÉLECTROCUTION OU DE BLESSURE, RESPECTEZ LES PRÉCAUTIONS SUIVANTES :
- N'utilisez cet appareil que de la manière prévue par le fabricant. Si vous avez des questions, contactez le fabricant
- Avant de procéder à l'entretien ou au nettoyage de l'appareil, coupez l'alimentation au niveau du panneau de service et verrouillez ce dernier pour éviter toute mise sous tension accidentelle. Si le panneau de service ne peut pas être verrouillé, fixez solidement un dispositif d'avertissement bien visible, tel qu'une étiquette, sur le panneau de service.
- Les travaux d'installation et le câblage électrique doivent être effectués par une ou plusieurs personnes qualifiées, conformément à tous les codes et normes applicables, y compris la construction résistante au feu.
- Une quantité suffisante d'air est nécessaire pour une bonne combustion et l'évacuation des gaz par le conduit de fumée (cheminée) des appareils à combustible, afin d'éviter le refoulement. Suivez les directives du fabricant de l'équipement de chauffage et les normes de sécurité telles que celles publiées par la National Fire Protection Association (NFPA), l'American Society for Heating, Refrigeration and Air Conditioning Engineers (ASHRAE) et les autorités locales.
- Lorsque vous coupez ou percez le mur ou le plafond, n'endommagez pas le câblage électrique et les autres services publics cachés.
- Les ventilateurs canalisés doivent toujours être évacués à l'extérieur.

Instructions de Sécurité Importantes

ATTENTION

Pour une utilisation générale de ventilation uniquement. Ne pas utiliser pour évacuer des matières et des vapeurs dangereuses ou explosives.

ATTENTION

Pour réduire le risque d'incendie et pour évacuer correctement l'air, veillez à faire passer l'air à l'extérieur - ne faites pas passer l'air évacué dans des espaces situés à l'intérieur des murs ou des plafonds, dans des greniers ou dans des vides sanitaires, ou dans des garages.

AVERTISSEMENT

POUR RÉDUIRE LE RISQUE D'INCENDIE, UTILISEZ UNIQUEMENT DES CONDUITS MÉTALLIQUES

AVERTISSEMENT

POUR RÉDUIRE LE RISQUE D'UN FEU DE GRAISSE SUR LA CUISINIÈRE :

- Ne laissez jamais les unités de surface sans surveillance à des réglages élevés. Les débordements provoquent des fumées et des projections de graisse qui peuvent s'enflammer. Faites chauffer les huiles lentement sur des réglages bas ou moyens.
- Mettez toujours la hotte en marche lorsque vous cuisinez à feu vif ou lorsque vous flambez des aliments (par exemple, Crêpes Suzette, Jubilé de cerises, Boeuf au poivre flambé).
- Nettoyez fréquemment les ventilateurs. La graisse ne doit pas s'accumuler sur le ventilateur ou le filtre. Use proper pan sizes.
- Utilisez toujours des ustensiles de cuisson adaptés à la taille de l'élément de surface.

AVERTISSEMENT

AFIN DE RÉDUIRE LE RISQUE DE BLESSURES AUX PERSONNES EN CAS DE FEU DE GRAISSE SUR LE DESSUS DE LA CUISINIÈRE, OBSERVEZ LES PRÉCAUTIONS SUIVANTES:*.SMOTHER FLAMES with a close fitting lid, cookie sheet, or metal tray, then turn off the burner.

FAITES ATTENTION POUR ÉVITER LES BRÛLURES. Si les flammes ne s'éteignent pas immédiatement, EVACUEZ ET APPELEZ LES POMPIERS.

- Ne ramassez jamais une casserole qui s'enflamme - vous pourriez vous brûler.
- N'UTILISEZ PAS D'EAU, ni de torchons ou de serviettes mouillés - une violente explosion de vapeur en résulterait.
- Utilisez un extincteur UNIQUEMENT si :
 - Vous savez que vous avez un extincteur de classe ABC et vous savez déjà comment l'utiliser.
 - Le feu est petit et contenu dans la zone où il s'est déclaré.
 - Les pompiers sont appelés.
 - Vous pouvez combattre le feu en tournant le dos à une sortie.

*Selon le document "Kitchen Fire Safety Tips" publié par la NFPA.

AVERTISSEMENT

Pour réduire le risque d'incendie ou de choc électrique, n'utilisez pas ce ventilateur avec un dispositif de contrôle de vitesse à semi-conducteurs.

AVERTISSEMENT

Ne laissez pas les enfants s'approcher de cet appareil. Ne laissez pas les enfants jouer avec cet appareil.

Conservez tous les matériaux d'emballage hors de portée des enfants. Mettez au rebut les matériaux d'emballage de manière appropriée après avoir déballé l'appareil.

REMARQUE

Convient pour une utilisation dans la zone de cuisson domestique.

Lisez et enregistrez ces instructions

Exigences d'installation

Exigences électriques

IMPORTANT

Respectez tous les codes et ordonnances en vigueur. Il est de la responsabilité du client:

- Pour contacter un installateur électrique qualifié.
- Pour s'assurer que l'installation électrique est adéquate et conforme au National Electrical Code, ANSI/NFPA 70 - dernière édition*, ou aux normes CSA C22.1-94, Code canadien de l'électricité, Partie 1 et C22.2 No.0-M91 - dernière édition** et à tous les codes et ordonnances locaux.

Si les codes le permettent et qu'un fil de terre séparé est utilisé, il est recommandé qu'un électricien qualifié détermine que le chemin de terre est adéquat.

Une copie des normes du code ci-dessus peut être obtenue auprès de :

National Fire Protection Association

1 Batterymarch Park

Quincy, MA 02169-7471

CSA International

8501 East Pleasant Valley Road

Cleveland, OH 44131-5575

- Un circuit électrique de 120 volts, 60 Hz, c.a. seulement, 15 ampères, avec fusible est nécessaire.
- Si la maison a un câblage en aluminium, suivez la procédure suivante.

1. Connectez une section de fil de cuivre solide aux fils de la queue de cochon.
 2. Connectez le câblage en aluminium à la section de fil de cuivre ajoutée à l'aide de connecteurs et/ou d'outils spéciaux conçus et répertoriés UL pour joindre le cuivre à l'aluminium.
- Suivez la procédure recommandée par le fabricant du connecteur électrique. La connexion aluminium/cuivre doit être conforme aux codes locaux et aux pratiques de câblage acceptées par l'industrie.
 - La taille des fils et les connexions doivent être conformes à la puissance nominale de l'appareil, telle que spécifiée sur la plaque signalétique du modèle/de la série. La plaque signalétique du modèle/de la série se trouve derrière le filtre sur la paroi arrière de la hotte.
 - La taille des fils doit être conforme aux exigences du National Electrical Code, ANSI/NFPA 70 (dernière édition), ou aux normes CSA C22.1-94, Code canadien de l'électricité, Partie 1 et C22.2 No. 0-M91 (dernière édition et tous les codes et ordonnances locaux).

Exigences d'installation

Exigences de ventilation

- Le système de ventilation doit se terminer à l'extérieur.
- Ne terminez pas le système de ventilation dans un grenier ou un autre endroit fermé.
- N'utilisez pas de capuchon mural de type blanchisserie de 10,2 cm (4 po).
- Utilisez uniquement un évent en métal. Un évent en métal rigide est recommandé.
- Un évent en plastique ou en feuille de métal n'est pas recommandé.
- La longueur du système d'évacuation et le nombre de coudes doivent être réduits au minimum pour assurer une performance efficace. Pour un fonctionnement efficace et silencieux :
 - N'utilisez pas plus de trois coudes à 90°.
 - Assurez-vous qu'il y a un minimum de 76,2 cm (30 po) de conduit droit entre les coudes si plus d'un coude est utilisé. N'installez pas 2 coudes ensemble.
- Utilisez des colliers pour sceller tous les joints du système de ventilation.
- Le système d'évacuation doit être équipé d'un registre. Si le capuchon du toit ou du mur est muni d'un registre, n'utilisez pas le registre fourni avec la hotte.
- Utilisez du calfeutrage pour sceller l'ouverture du mur extérieur ou du toit autour du chapeau.
- La taille de l'évent doit être uniforme.

Méthodes d'évacuation

Pour utiliser la sortie supérieure de la hotte pour ventiler votre hotte, un système de ventilation rond de 10" (25,4 cm) est nécessaire. Ce système d'évent n'est pas inclus et doit être acheté séparément.

REMARQUE

L'évent flexible n'est pas recommandé. L'évent flexible crée une contre-pression et des turbulences d'air qui réduisent considérablement les performances. Le système de ventilation peut se terminer soit par le toit, soit par un mur. Pour une évacuation à travers un mur, un coude de 90° est nécessaire.

Installez toujours un couvercle d'évent métallique à l'endroit où les conduits sortent de la maison. La hotte doit être ventilée uniquement à l'extérieur du bâtiment.

Direction de la décharge

This hood is factory set for venting through the roof (vertical discharge) or wall (horizontal discharge).

Directives pour l'installation des conduits

Pour des raisons de sécurité, les conduits doivent être évacués directement à l'extérieur (pas dans un grenier, sous la maison, dans le garage ou dans un espace fermé). Ne dépassez pas 15,24 m (50 ft) de conduit. Les conduits doivent être aussi courts et droits que possible. Les coudes et les raccords de transition réduisent l'efficacité du flux d'air.

Les coudes dos à dos et les virages en "S" donnent un très mauvais débit et ne sont pas recommandés. Une courte longueur droite de conduit à l'entrée d'un ventilateur distant donne le meilleur débit.

Recommandations pour les conduits

Une bonne performance dépend d'un conduit approprié.

Le temps froid

Les installations par temps froid doivent être munies d'un déflecteur d'air supplémentaire pour minimiser le retour de l'air froid et d'une coupure thermique non métallique pour minimiser la conduction des températures extérieures dans les conduits. Le registre doit se trouver du côté de l'air froid de la coupure thermique. La rupture doit être aussi proche que possible de l'endroit où le conduit pénètre dans la partie chauffée de la maison.

Air d'appoint

Les codes du bâtiment locaux peuvent exiger l'utilisation de systèmes d'air d'appoint lors de l'utilisation de systèmes de ventilation à conduits dont le mouvement d'air est supérieur au CFM spécifié. Le CFM spécifié varie d'une localité à l'autre. Il incombe au propriétaire et à l'installateur de déterminer si des exigences et/ou des normes supplémentaires s'appliquent à des installations spécifiques.

Exigences d'installation

Options de conduits

La hotte est équipée d'une transition ronde de 10" (25,4 cm) pour l'évacuation des fumées vers l'extérieur.

Suivez scrupuleusement les instructions données dans ce manuel. Dacor n'est pas responsable des éventuels désagréments, dommages ou incendies causés par le non-respect des instructions de ce manuel.

Préparation

Ne coupez pas une solive ou un montant à moins que cela ne soit absolument nécessaire. Si une solive ou un montant doit être coupé, il faut construire un cadre de support.

Des matériaux de fixation sont fournis pour fixer la hotte à la plupart des types de murs/plafonds.

Cependant, un technicien qualifié doit vérifier l'adéquation des matériaux en fonction du type de mur/plafond.

Avant de faire des découpes, assurez-vous qu'il y a un dégagement approprié dans le plafond ou le mur pour le conduit d'évacuation.

Hauteur de montage

⚠ ATTENTION

Montez cette hotte de façon à ce que le bord inférieur au-dessus de la surface de cuisson soit à au moins 76,2 cm (30 po) pour une surface de cuisson au gaz ou 60,9 cm (24 po) pour une surface de cuisson électrique.

Il n'y a pas de hauteur maximale de montage, mais nous recommandons de ne pas installer la hotte à plus de 36" (91,4 cm) au-dessus de la surface de cuisson. Pour chaque pouce (2,54 cm) au-dessus de 36" (91,4 cm), l'efficacité du captage des fumées et de l'humidité diminue à un rythme croissant et peut ne pas offrir un niveau acceptable de performance de ventilation.

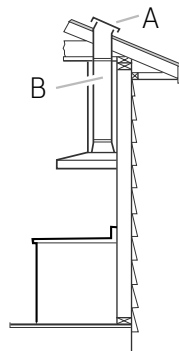
Cette hotte est destinée à un usage domestique.

Vérifiez la hauteur de votre plafond et la hauteur de la hotte avant de choisir votre hotte.

Décharge horizontale

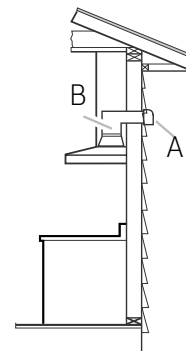
Un coude à 90° peut être installé immédiatement au-dessus de la hotte.

Ventilation par le toit



A. Capuchon de toit
B. 10" (25.4 cm) Évent rond

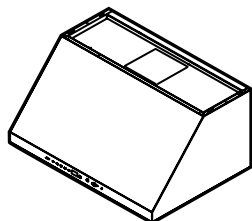
Ventilation par le mur



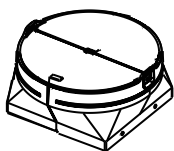
A. Capuchon de mur
B. 10" (25.4 cm) Évent rond

Exigences d'installation

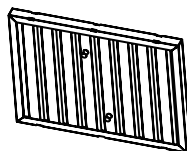
Ce que contient la boîte



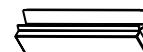
Montage de la hotte (1)



10" Transition (1)



Filtres
30" (2)
36" (2)
48" (3)



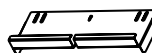
Bacs d'égouttage
30" (2)
36" (2)
48" (3)



Sac de matériel (1)

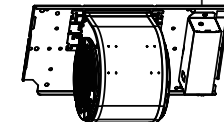


Littérature du produit (2)



Support du bac
d'égouttage
30" (1)
36" (1)
48" (2)

Ventilateur unique



Ventilateur double



Assemblage du ventilateur
du moteur
30" (Ventilateur unique)
36" (Ventilateur double)
48" (Ventilateur double)

Outils et pièces

Retirer l'emballage.

⚠ ATTENTION




Retirez le carton avec précaution. Portez des gants pour vous protéger des bords tranchants.

▲ AVERTISSEMENT

Retirez le film de protection avant la mise en service.

Pièces fournies

- Sac de matériel avec :

Part	Qty	Part	Qty
 6 x 80 mm	6	 Torx 20 adaptateur	1
 6 x 16 mm	4	 Rondelles Ø 6,4 x 11 mm	4
 4.2 x 19 mm	4	 Rondelles de Ø 5,3 x 20 mm	2
 Vis de l'égouttoi	2	 3.5 x 9.5 mm	4
 10 x 60 mm	6	 ventilateur 6 - 9 fils connecteur	1

Exigences d'installation

Pièces non fournies

- Ciseaux à métaux
- Tournevis :
 - Phillips
 - Plat - lame

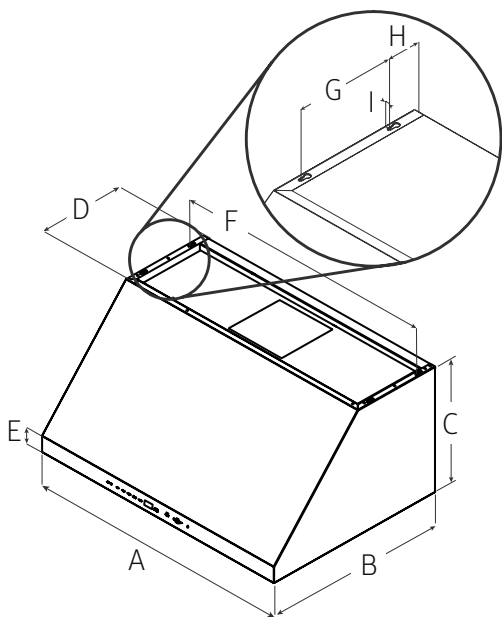
Outils/matériels requis

- Niveau
- Perceuse avec des mèches de 1" (2,5 cm), 1/8" (3,0 mm) et 5/8" (15,8 mm).
- Crayon
- Pince à dénuder ou couteau universel
- Ruban à mesurer ou règle
- Pinces
- Pistolet à calfeutrer et produit de calfeutrage résistant aux intempéries.
- Pinces à évent
- Scie sauteuse

Pièces nécessaires

- Câble d'alimentation domestique
- Dispositif anti-traction de 1/2" (12,7 mm) répertorié UL ou approuvé CSA
- 3 connecteurs de fils homologués UL
- 1 capuchon de mur ou de toit
- Système d'évent métallique

Dimensions et dégagements



	30"	36"	48"
A	30" (76 cm)	36" (91,2 cm)	48" (121,7 cm)
B	25" (63,2 cm)		
C	18" (45,7 cm)		
D	12" (30,5 cm)		
E	2 3/4" (7 cm)		
F	29 1/8" (74 cm)	35 1/8" (89,2 cm)	47 1/16" (119,6 cm)
G	7 1/2" (19 cm)		
H	2 9/16" (6,5 cm)		
I	3/8" (1 cm)		

Accessoires - vendus séparément

	DHD30U990CS/DA	DHD36U990CS/DA	DHD48U990CS/DA	DHD30U990CM/DA	DHD36U990CM/DA	DHD48U990CM/DA
Kit de couverture de conduit	DHD-D3020CS/DA	DHD-D3620CS/DA	DHD-D4820CS/DA	DHD-D3020CM/DA	DHD-D3620CM/DA	DHD-D4820CM/DA
Extension Kit	DHD-D0000CS/DA			DHD-D0000CM/DA		

Installation

Instructions d'installation

Nous recommandons qu'un technicien qualifié installe la hotte de cuisine. Il incombe à l'installateur de s'assurer que la hotte est conforme aux dégagements d'installation spécifiés pour le produit.

- Il est recommandé d'installer le système de ventilation avant d'installer la hotte.
- Si possible, débranchez et retirez tout appareil de cuisson situé sous la hotte pour faciliter l'accès à la paroi arrière.
- Avant de faire des coupes, assurez-vous qu'il y a un dégagement approprié dans le plafond ou le mur pour le conduit d'évacuation.

- Vérifiez que toutes les pièces d'installation ont été retirées du carton d'expédition.
1. Coupez l'alimentation électrique au niveau du panneau de disjoncteurs ou de la boîte à fusibles.
 2. Déterminez la méthode d'évacuation à utiliser : évacuation par le toit ou par le mur.

REMARQUE

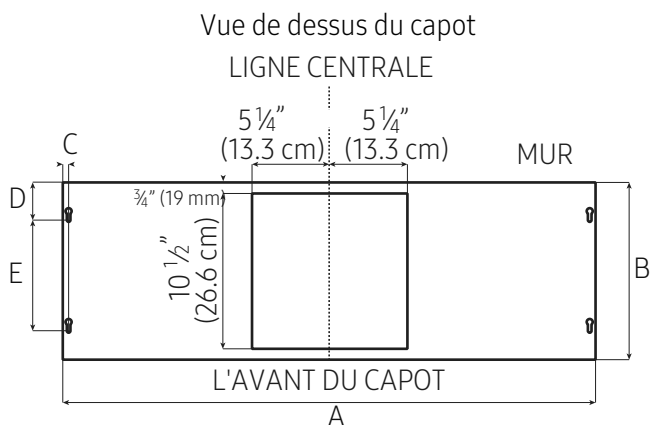
Cette hotte est réglée en usine pour évacuer l'air par la sortie d'air supérieure.

3. Choisissez une surface plane pour assembler la hotte. Placez une couverture sur cette surface.

Échappement supérieur extérieur

Schéma d'installation du haut

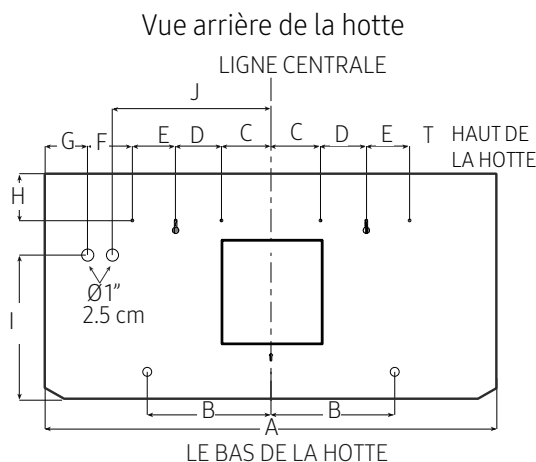
Utilisez le schéma ou la hotte comme gabarit et marquez les emplacements pour les conduits, le câblage électrique et les fentes pour les vis en trou de serrure.



	30"	36"	48"
A	30" (76 cm)	36" (91,2 cm)	48" (121,7 cm)
B	12" (30,5 cm)		
C	1" (2,5 cm)		
D	2 5/8" (6,5 cm)		
E	7 1/2" (19 cm)		

Schéma d'installation arrière

Utilisez le schéma ou la hotte comme modèle et marquez les emplacements sur le mur pour le câblage électrique et les fentes pour les vis en trou de serrure.



	30"	36"	48"
A	30" (75,5 cm)	36" (90,6 cm)	48" (121,1 cm)
B	9 13/16" (25 cm)		
C	3 15/16" (10 cm)		
D	3 5/8" (9,2 cm)		
E	3 7/16" (8,7 cm)		
F	2" (5 cm)		
G	3 1/4" (8,2 cm)		
H	3 11/16" (9,3 cm)		
I	11 3/8" (28,9 cm)		
J	9 5/8" (24,5 cm)	12 5/8" (32 cm)	18 5/8" (47,3 cm)

Installation

Installation murale

▲ AVERTISSEMENT

UTILISEZ DEUX PERSONNES OU PLUS POUR DÉPLACER ET INSTALLER LA HOTTE. LE NON-RESPECT DE CETTE CONSIGNE PEUT ENTRAÎNER DES BLESSURES AU DOS OU AUTRES.

La hotte est fixée au mur à l'aide d'un support en bois qui est fixé à l'arrière de la hotte. Pour soutenir la hotte en toute sécurité, le support en bois doit être fixé fermement à au moins 2 montants en bois verticaux situés derrière la plaque de plâtre qui constitue le mur.

📖 REMARQUE

Ces instructions ne sont pas applicables aux murs en

maçonnerie (brique, béton, etc.). Si vous avez un mur en maçonnerie, consultez un installateur professionnel.

IMPORTANT: Les montants (ou le mur si vous avez un mur en maçonnerie) doivent être capables de supporter jusqu'à 150 livres.

📖 REMARQUE

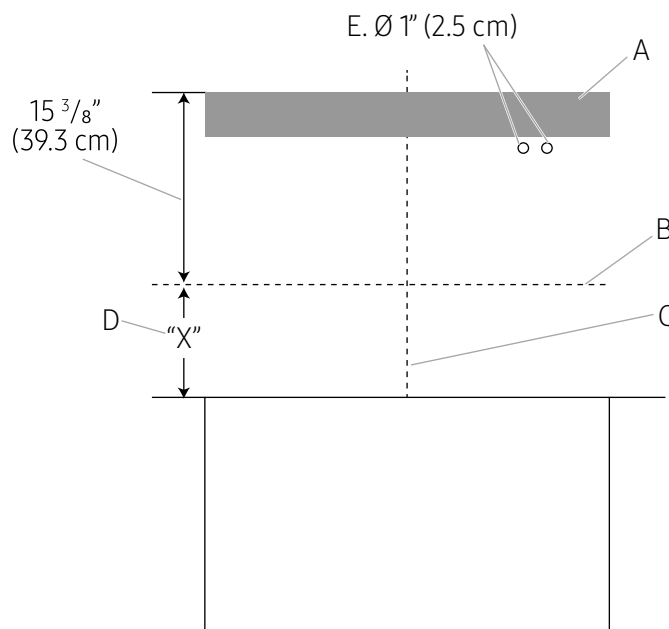
Si votre cuisine a une ossature en bois, au moins 2 vis fournies pour le montage de cette hotte doivent être fixées dans des montants en bois massif. Ne pas fixer dans la plaque de plâtre seulement.

📖 REMARQUE

Marquez les débouchures de la hotte sur le mur et effectuez les découpes nécessaires avant d'installer la hotte.

Instructions d'installation de l'ossature en bois

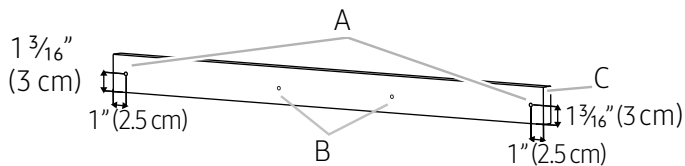
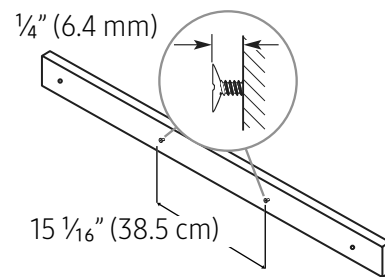
1. Déterminez et marquez la ligne centrale sur le mur où la hotte sera installée.
2. Sélectionnez une hauteur de montage "X" pour le bas de la hotte (voir D ci-dessous).
 - Pour les installations de tables de cuisson et de cuisinières à gaz : Installez la hotte de façon à ce que le bas soit à au moins 76,2 cm (30 po) au-dessus de la surface de cuisson.
 - Pour les tables de cuisson et les cuisinières électriques ou à induction : Installez la hotte de façon à ce que le bas soit à au moins 24" (60,9 cm) au-dessus de la surface de cuisson.
3. Marquez une ligne de référence horizontale sur le mur (B ci-dessous) pour le bas de la hotte. Utilisez un niveau pour confirmer que la ligne est de niveau.
4. Trouvez et marquez l'emplacement des montants en bois ou des supports en bois derrière le mur. Voir le schéma d'installation arrière..
5. Tracer une ligne à $15 \frac{3}{8}$ " (39,3 cm) au-dessus de la ligne de référence du bas de la hotte pour marquer l'emplacement du support en bois sur le mur. Utiliser un niveau pour confirmer que la ligne est de niveau.



- A. Support en bois
- B. Fond de la hotte
- C. Ligne centrale
- D. Dimension "x" = hauteur de montage de la hotte
- E. Trous de câblage à déboucher

Installation

- Retirez le support en bois de l'arrière de la hotte en desserrant les 2 vis de l'intérieur.
- Alignez le haut du support en bois avec la ligne d'emplacement du support en bois sur le mur, puis centrez-le sur la ligne centrale.
- Localisez les marques des montants sur le support en bois, puis tracez deux lignes verticales marquant l'intersection des montants et du support en bois.
- Marquez le centre de chaque ligne, retirez le support en bois du mur, puis percez un trou pilote sur le support à chaque marque.
- De nouveau, alignez le haut du support en bois avec la ligne d'emplacement du support en bois, puis centrez-le sur la ligne centrale.
- Passez une pointe de crayon ou une alène dans les trous que vous venez de percer dans le support en bois pour marquer sur le mur l'emplacement des avant-trous pour les vis 2 - 6 x 80 mm qui entreront dans les montants.
- Marquez également sur le mur l'emplacement de deux autres avant-trous (B) en enfonçant une pointe de crayon ou une alène dans les trous prépercés au centre du support en bois. Ces trous sont destinés aux ancrages muraux 2 - 10 x 60 mm fournis. Voir le schéma ci-dessous.
- Retirez le support en bois, puis percez quatre avant-trous dans le mur.
- Enfoncez 2 - 10 x 60 mm des ancrages muraux fournis dans les deux trous pilotes au centre.
- Fixez le support en bois au mur en vissant 2 - 6 x 80 mm de vis de fixation à travers le support en bois dans les trous pilotes que vous avez percés dans les montants.
- En utilisant le schéma d'installation arrière comme guide (voir page 12), découpez les trous de câblage défonçables dans le mur.
- Vissez 2 vis 6 x 80 mm (vis de montage) dans les trous (B) au centre du support en bois. Vissez-les à travers le support dans les ancrages situés en dessous. Laissez un espace de $\frac{1}{4}$ " (6,4 mm) entre le mur et l'arrière de la tête de vis pour faire glisser la hotte en place.



- A. Trous de vis
- B. Trous de vis (déjà réalisés)
- C. Support en bois

REMARQUE

Une fois le hotte monté, vous devez serrer ces vis.

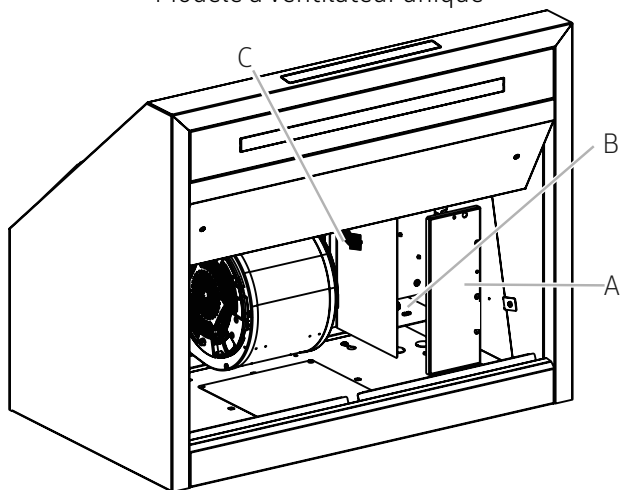
Installation

Préparation complète

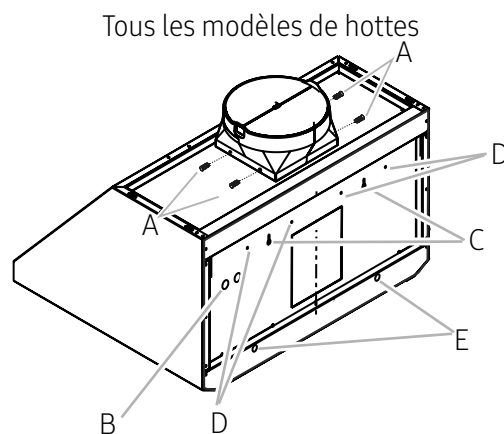
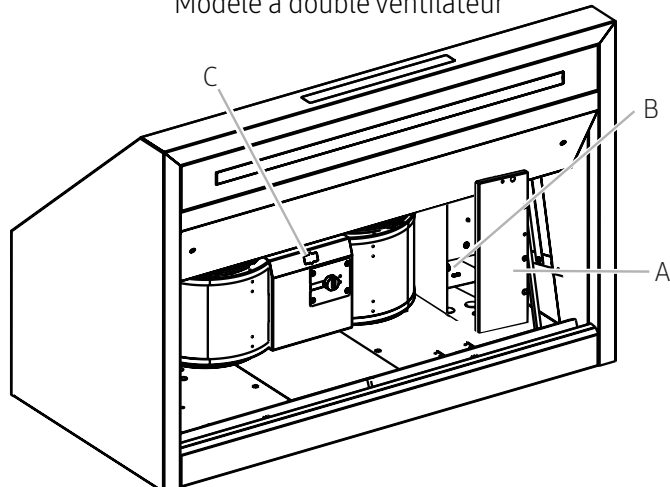
1. Déterminez et faites toutes les coupes nécessaires dans le mur ou le toit pour le système de ventilation. Installez le système de ventilation avant d'installer la hotte. Voir la section "Méthodes de ventilation"..
2. Déterminer l'emplacement où le câble d'alimentation sera acheminé à travers le mur.
3. Percer un trou de 1" (2,5 cm) à cet endroit.
4. Tirer suffisamment de câble d'alimentation à travers le mur pour permettre un raccordement facile à la boîte à bornes.
5. Retirez le couvercle de la boîte à bornes et mettez-le de côté.
6. Pour tous les modèles de hotte, installer la transition d'évent ronde de 10 po (25,4 cm) avec registre sur le dessus de la hotte (selon votre installation), à l'aide de 4 vis de 3,5 x 9,5 mm.
7. Retirer la débouchure à l'arrière de la hotte de cuisine et installer un dispositif de décharge de traction de 1/2" (1,3 cm) homologué UL ou CSA. (1,3 cm) homologué UL ou CSA.

- A. Couvercle de la boîte de jonction
- B. Débouchure
- C. Connecteur de fil d'alimentation

Modèle à ventilateur unique



Modèle à double ventilateur



Tous les modèles de hottes

- A. 4 - 3.5 x 9.5 mm vis
- B. Débouchure
- C. Fente pour les vis de montage
- D. 4 - 4.2 x 19 mm vis fentes
- E. 2 - 6 x 80 mm vis fentes

REMARQUE

L'adaptateur/amortisseur d'évacuation peut être installé jusqu'à 1 pouce de part et d'autre du centre de la hotte pour s'adapter aux conduits décentrés.

En cas d'installation excentrée, il peut être nécessaire de couper une extrémité du connecteur de conduit pour dégager le collier de serrage du câble électrique.

8. Placez la hotte près de sa position de montage et faites passer le câble d'alimentation à travers la décharge de traction jusqu'à la boîte à bornes (suffisamment pour effectuer la connexion).
9. Serrez les vis de la décharge de traction.
10. Effectuez le raccordement électrique. Voir la section "Connexion électrique" (p.37).

Installation

Montage de la hotte

REMARQUE

Marquez les débouchures de la hotte sur le mur, puis effectuez les découpes nécessaires avant l'installation.

REMARQUE

La hotte se fixe au mur par les 6 vis de montage dans le support en bois fixé au mur.

Pour monter le capot, suivez les étapes suivantes :

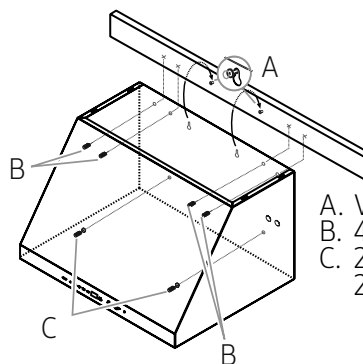
1. À l'aide de 2 personnes ou plus, suspendez la hotte au mur en plaçant les 2 vis montées dans le support de bois fixé au mur à travers la partie large des trous oblongs à l'arrière de la hotte.

REMARQUE

Si votre installation utilise le couvercle de conduit en option, le système de ventilation doit être raccordé à la hotte de cuisine et le couvercle de conduit doit être monté sur le dessus de la hotte de cuisine avant de serrer les vis de montage.

2. Tirez la hotte vers le bas de façon à ce que les vis dépassent par les parties étroites des fentes, alignez le bas de la hotte avec la ligne horizontale marquant le bas de la hotte, mettez la hotte à niveau, puis serrez les 2 vis de montage.

3. Marquer les 2 emplacements des trous de montage inférieurs. Percez des trous pilotes de $\frac{1}{8}$ " (0,32 cm) si les trous doivent être percés dans des montants en bois ou une charpente. (0,32 cm) si les trous seront percés dans des montants en bois ou une charpente. Si les trous ne seront pas percés dans du bois, percez deux trous pilotes de $\frac{3}{8}$ " (0,95 cm). (0,95 cm) et insérez des ancrages muraux de 10 x 60 mm. Installez 2 vis de 6 x 80 mm avec des rondelles de 5,3 x 20 mm (D et C) dans les trous de montage inférieurs, puis serrez.



- A. Vis de montage
- B. 4 - 4,2 x 19 mm vis
- C. 2 - 6 x 80 mm vis avec
2 - 5,3 x 20 mm rondelles

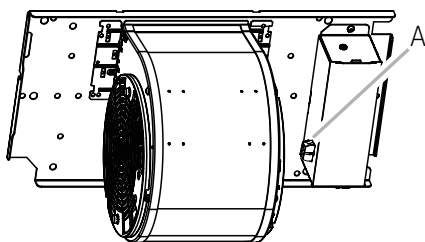
4. Installez les 4 - 4,2 x 19 mm vis (B) à travers l'arrière de la hotte dans le support en bois, puis serrez.
5. Raccordez le système de ventilation à la hotte. Scellez tous les joints avec des colliers de serrage.

Installer le moteur du ventilateur interne de la hotte

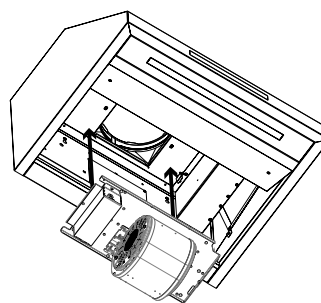
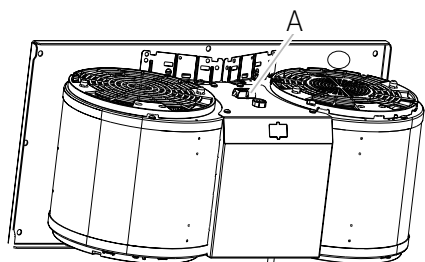
1. Placez l'ensemble du moteur du ventilateur de la hotte à l'intérieur de la hotte.

A. Connexion des fils

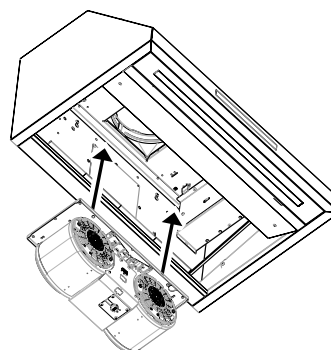
Montage d'un seul moteur



Ensemble moteur double



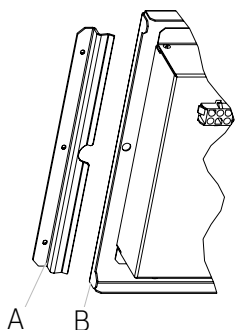
Montage d'un seul moteur



Ensemble moteur double

Installation

- Faites glisser la bride de la plaque de montage gauche sous le support de montage du moteur du ventilateur..

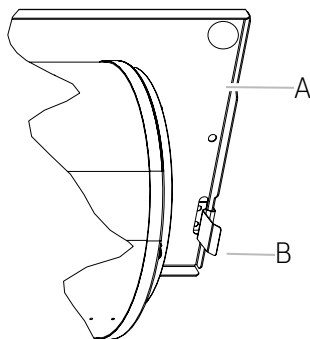


- A. Support de montage du moteur
- B. Bride gauche de la plaque de montage

- Poussez l'extrémité droite de la plaque de montage du moteur vers le haut, puis enclenchez-la dans la languette du ressort.

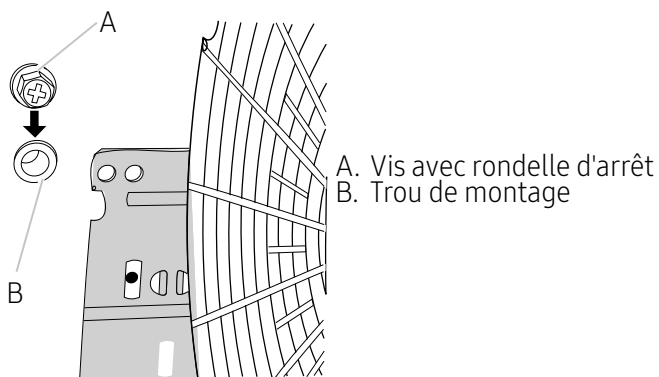
REMARQUE

La languette du ressort doit se trouver à l'extérieur de la fente de la plaque de montage.



- A. Plaque de montage du moteur
- B. Languette de ressort

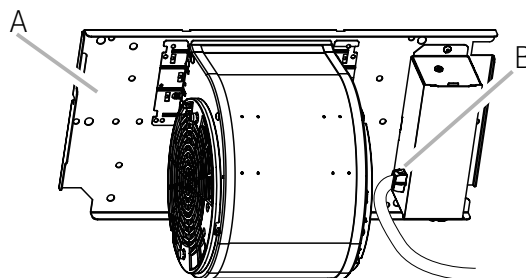
- Alignez les trous de montage, puis installez 4 vis de 6 x 16 mm avec 4 rondelles de blocage de 6,4 x 11 mm.



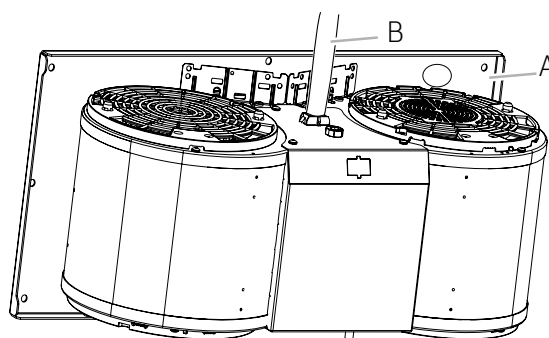
- Effectuez la connexion entre le ventilateur et la boîte de jonction à l'aide du connecteur de ventilateur fourni.

- A. Plaque de montage du moteur
- B. Fil d'alimentation connecteur de ventilateur

Montage d'un seul moteur



Ensemble moteur double



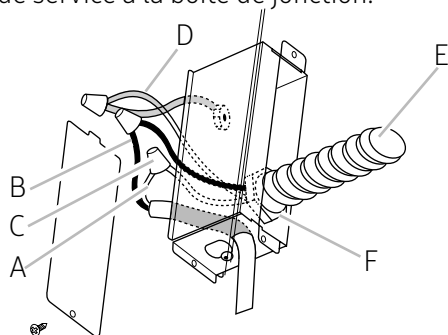
Installation

Connexion électrique

▲ AVERTISSEMENT

RISQUE DE CHOC ÉLECTRIQUE. DÉBRANCHEZ L'ALIMENTATION AVANT DE PROCÉDER À L'ENTRETIEN. REMPLACEZ TOUTES LES PIÈCES ET TOUS LES PANNEAUX AVANT D'UTILISER L'APPAREIL. LE NON-RESPECT DE CETTE CONSIGNE PEUT ENTRAÎNER LA MORT OU UN CHOC ÉLECTRIQUE.

1. Faites passer 3 fils - noir, blanc et vert - conformément au Code national de l'électricité et aux codes et ordonnances locaux, dans un conduit $\frac{1}{2}$ " du panneau de service à la boîte de jonction.



- | | |
|--------------------------------------|--|
| A. Fils blancs | E. Alimentation électrique domestique |
| B. Fils noirs | F. Répertoire UL ou approuvé CSA $\frac{1}{2}$ " (1,3 cm) (1,3 cm) de décharge de traction |
| C. Connecteurs de fils homologués UL | |
| D. Fils verts, nus ou jaunes/verts | |

▲ AVERTISSEMENT

METTEZ LE VENTILATEUR À LA TERRE. CONNECTEZ LE FIL DE TERRE AUX FILS DE TERRE VERT ET JAUNE DE LA BOÎTE À BORNES. LE NON-RESPECT DE CETTE CONSIGNE PEUT ENTRAÎNER LA MORT OU UN CHOC ÉLECTRIQUE.

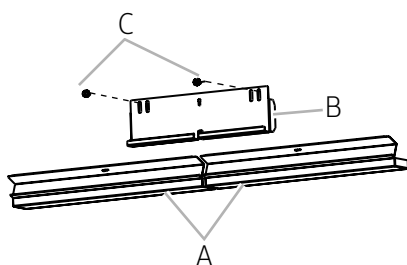
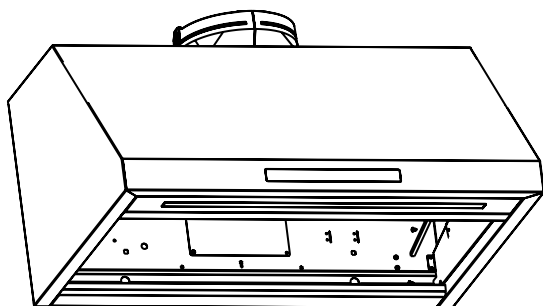
2. Utilisez des connecteurs de fils homologués UL et connectez les fils noirs (B) ensemble.
3. Utilisez des connecteurs de fils répertoriés UL et connectez les fils blancs (A) ensemble.
4. Connectez le fil de terre vert (ou nu) de l'alimentation électrique de la maison au fil de terre vert/jaune (D) de la boîte de jonction à l'aide de connecteurs de fils répertoriés UL.
5. Fermez et fixez le couvercle de la boîte de jonction.

Installation

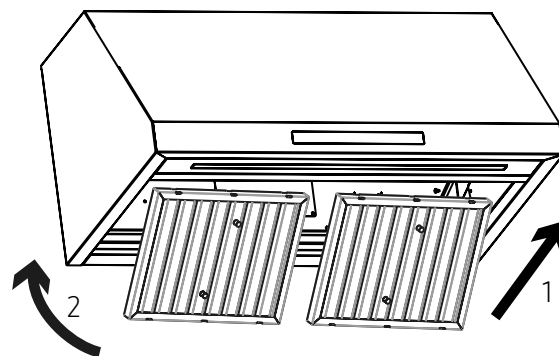
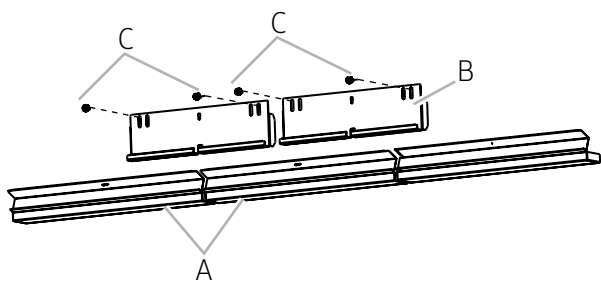
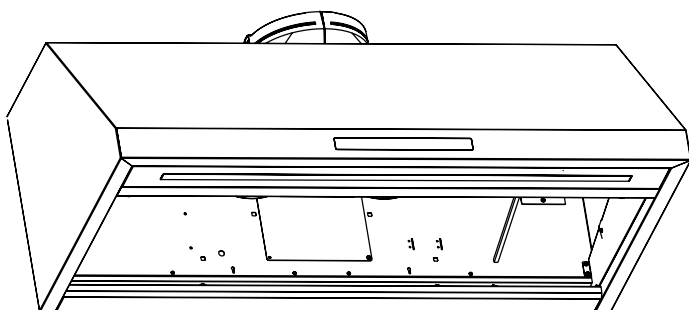
Terminer l'installation

1. Placez le support de l'égouttoir sur le support du filtre arrière de la hotte et placez les 2 vis de l'égouttoir sur les fentes.
 2. Saisissez les poignées du filtre à deux mains, puis placez le bord avant du filtre dans la hotte.
 3. Poussez vers le haut sur l'arrière de la poignée, puis placez l'arrière du filtre dans le bac de récupération pour le fixer. Répétez l'opération pour chaque filtre..
- A. Bacs d'égouttage
B. Support de l'égouttoir
C. Vis de l'égouttoir

Montage d'un seul moteur



Ensemble moteur double



Modèle présenté à titre de référence uniquement, caractéristiques peuvent varier

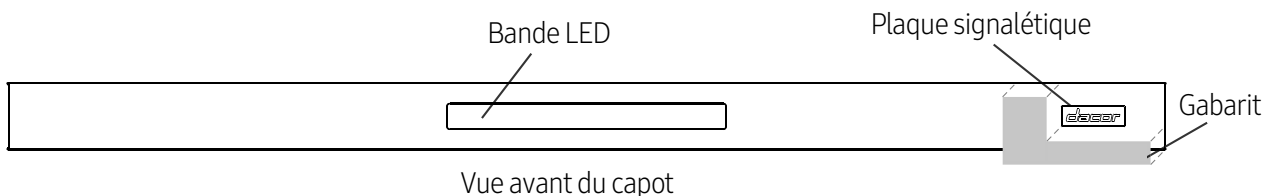
Placez les filtres et vérifiez le fonctionnement de la hotte.

- Pour obtenir l'utilisation la plus efficace de votre nouvelle hotte, lisez le manuel "Utilisation et entretien".
- Conservez ces instructions d'installation et ce guide d'utilisation et d'entretien à proximité de la hotte pour pouvoir les consulter facilement

Installation

Fixez le badge de la plaque Dacor

Utilisez le gabarit sur cette page pour l'alignement de la plaque d'identification. Découpez le gabarit et collez-le sur la surface avant du hotte et vérifiez que le gabarit est aligné avec le côté droit de la hotte et dans les limites des bords supérieur et inférieur de la surface avant. Entraînez-vous à placer la plaque signalétique avant de retirer le papier antiadhésif.



REMARQUE : le badge de la plaque signalétique est doté d'un adhésif à très haute rétention - une fois le badge fixé, il est extrêmement difficile à retirer.

Avant de retirer le papier protecteur au dos de l'insigne, entraînez-vous à placer l'insigne dans la bonne position sur le capot sans qu'il y ait de chevauchement entre l'insigne et ce modèle.

Après cet exercice, retirez le papier protecteur du dos du badge et fixez le badge sur le capot sans qu'il ne se chevauche avec le gabarit.

Retirez et jetez ce gabarit.



Contenido

Antes de Empezar	41
Notas Importantes	41
Servicio de Atención al Cliente	41
Instrucciones Importantes de Seguridad	42
Requisitos de instalación	45
Requisitos eléctricos	45
Requisitos de ventilación	46
Métodos de ventilación	46
Opciones de conductos	47
Qué hay en la caja	48
Herramientas y piezas	48
Dimensiones y espacios libres	49
Accesorios - Se vende por separado	49
Instalación	50
Instrucciones de instalación	50
Escape superior exterior	50
Preparación completa	53
Montaje de la campana	54
Instalar el motor del ventilador de la campana	55
Conexión eléctrica	56
Completa la instalación	57
Coloque la placa Dacor	58

Antes de Empezar

Notas Importantes

Instalador

- En aras de la seguridad y para minimizar los problemas, lea detenidamente este manual antes de iniciar la instalación.
- Deje este manual con el cliente.
- Muéstrelle al propietario cómo cortar la energía de la campana.

Cliente

Conserve este manual como referencia personal y profesional.

Servicio de Atención al Cliente

Para resolver dudas y problemas de instalación, póngase en contacto con su distribuidor Dacor o con el servicio de atención al cliente de Dacor. Antes de llamar, tenga a mano el modelo y el número de serie de la campana. (Consulte la etiqueta de datos que se encuentra en el interior de la campana, encima de los filtros, en la pared posterior del chasis).

Todas las especificaciones están sujetas a cambios sin previo aviso. Dacor no asume ninguna responsabilidad por dichos cambios.

©2022 Dacor, todos los derechos reservados.

Instrucciones Importantes de Seguridad

**APROBADO PARA APARATOS RESIDENCIALES
SÓLO PARA USO RESIDENCIAL
LEA Y GUARDE ESTAS INSTRUCCIONES**

**LEA TODA LA GUÍA DE INSTALACIÓN ANTES DE PROCEDER.
LA INSTALACIÓN DEBE CUMPLIR CON TODOS LOS CÓDIGOS LOCALES.**

IMPORTANTE: Guarde estas instrucciones para el uso del inspector eléctrico local.
INSTALADOR: Por favor, deje estas instrucciones con esta unidad para el propietario.
CLIENTE: Conserve estas instrucciones para futuras consultas.

Símbolos usados en este manual

▲ ADVERTENCIA

Peligros o prácticas inseguras que pueden provocar lesiones personales graves o la muerte.

▲ ADVERTENCIA

Desconecte el circuito de alimentación en el panel de servicio y bloquee el panel antes de cablear este aparato.

⚠ PRECAUCIÓN

Peligros o prácticas inseguras que pueden provocar una descarga eléctrica, lesiones personales o daños materiales.

📖 NOTA

Consejos e instrucciones útiles.

Estos iconos y símbolos de advertencia están aquí para evitar que usted y otras personas sufran daños.

Por favor, sígalos explícitamente. Después de leer esta sección, guárdela en un lugar seguro para futuras consultas.

Advertencia de la Proposición 65 del Estado de California (sólo en EE.UU.)

▲ ADVERTENCIA

Este producto contiene sustancias químicas conocidas por el Estado de California como causantes de cáncer y defectos de nacimiento u otros daños reproductivos - www.p65warnings.ca.gov

1. Noticia de la FCC

⚠ PRECAUCIÓN

PRECAUCIÓN FCC:

Cualquier cambio o modificación no aprobada expresamente por la parte responsable del cumplimiento podría anular la autoridad del usuario para operar el equipo.

Este dispositivo cumple con la parte 15 de las normas de la FCC. Su funcionamiento está sujeto a las dos condiciones siguientes:

1. Este dispositivo no puede causar interferencias perjudiciales, y.
2. Este dispositivo debe aceptar cualquier interferencia recibida, incluidas las que causen un funcionamiento no deseado. Para los productos vendidos en los mercados de Estados Unidos y Canadá, sólo están disponibles los canales 1~11. No se puede seleccionar ningún otro canal.

Para los productos vendidos en los mercados de Estados Unidos y Canadá, sólo están disponibles los canales 1~11. No se puede seleccionar ningún otro canal.

DECLARACIÓN DE LA FCC:

Este equipo ha sido probado y se ha comprobado que cumple con los límites para un dispositivo digital de clase B, de acuerdo con la parte 15 de las normas de la FCC. Estos límites están diseñados para proporcionar una protección razonable contra las interferencias perjudiciales en una instalación residencial.

Instrucciones Importantes de Seguridad

Este equipo genera, utiliza y puede irradiar energía de radiofrecuencia y, si no se instala y utiliza de acuerdo con las instrucciones, puede causar interferencias perjudiciales en las comunicaciones de radio.

Sin embargo, no se puede garantizar que no se produzcan interferencias en una instalación concreta. Si este equipo causa interferencias perjudiciales en la recepción de radio o televisión, lo cual puede determinarse apagando y encendiendo el equipo, se recomienda al usuario que intente corregir las interferencias mediante una o varias de las siguientes medidas: Reorienting or relocating the receiving antenna

- Aumentar la separación entre el equipo y el receptor
- Conectar el equipo a una toma de corriente que esté en un circuito diferente al de la radio o el televisor
- Consultar al distribuidor o a un técnico de radio/televisión con experiencia para obtener ayuda

DECLARACIÓN DE EXPOSICIÓN A LA RADIACIÓN DE LA FCC:

Este equipo cumple con los límites de exposición a la radiación de la FCC establecidos para un entorno no controlado. Este equipo debe ser instalado y operado de manera que haya al menos 8 pulgadas (20 cm) entre el radiador y su cuerpo. Este dispositivo y su(s) antena(s) no deben estar ubicados ni funcionar junto con ninguna otra antena o transmisor.

2. Aviso IC

El término "IC" que precede al número de certificación de radio sólo significa que se cumplen las especificaciones técnicas de Industry Canada. El funcionamiento está sujeto a las dos condiciones siguientes: (1) este dispositivo no puede causar interferencias, y (2) este dispositivo debe aceptar cualquier interferencia, incluyendo las que puedan causar un funcionamiento no deseado del dispositivo.

Este aparato digital de clase B cumple con la norma canadiense ICES-003. Para los productos vendidos en los mercados estadounidense y canadiense, sólo están disponibles los canales 1~11. No se puede seleccionar ningún otro canal.

DECLARACIÓN DE EXPOSICIÓN A LA RADIACIÓN IC:

Este equipo cumple con los límites de exposición a la radiación IC RSS-102 establecidos para un entorno no controlado. Este equipo debe ser instalado y operado de manera que haya al menos 8 pulgadas (20 cm) entre el radiador y su cuerpo. Este dispositivo y su(s) antena(s) no deben estar ubicados ni funcionar junto con ninguna otra antena o transmisor.

▲ ADVERTENCIA

PARA REDUCIR EL RIESGO DE INCENDIO, DESCARGA ELÉCTRICA O LESIONES A LAS PERSONAS, OBSERVE LAS SIGUIENTES PRECAUCIONES:

- Utilice esta unidad sólo de la manera prevista por el fabricante. Si tiene dudas, póngase en contacto con el fabricante.
- Antes de realizar el mantenimiento o la limpieza de la unidad, desconecte la alimentación en el panel de servicio y bloquee el panel de servicio para evitar que la alimentación se conecte accidentalmente. Si el panel de servicio no puede bloquearse, fije un dispositivo de advertencia prominente, como una etiqueta, en el panel de servicio.
- Los trabajos de instalación y el cableado eléctrico deben ser realizados por personas cualificadas de acuerdo con todos los códigos y normas aplicables, incluyendo la construcción con clasificación de incendios.
- Se necesita aire suficiente para una combustión adecuada y para la evacuación de los gases a través del conducto de humos (chimenea) de los equipos de combustión para evitar el reflujo. Siga las directrices del fabricante del equipo de calefacción y las normas de seguridad, como las publicadas por la Asociación Nacional de Protección contra Incendios (NFPA), la Sociedad Americana de Ingenieros de Calefacción, Refrigeración y Aire Acondicionado (ASHRAE) y las autoridades locales de códigos.
- Cuando corte o perfore la pared o el techo, no dañe el cableado eléctrico ni otros servicios ocultos.

Instrucciones Importantes de Seguridad

Los ventiladores con conductos siempre deben ventilarse al exterior.

PRECAUCIÓN

Sólo para uso general de ventilación. No utilizar para extraer materiales y vapores peligrosos o explosivos.

PRECAUCIÓN

Para reducir el riesgo de incendio y evacuar correctamente el aire, asegúrese de canalizar el aire hacia el exterior: no ventile el aire de salida en espacios dentro de las paredes o techos, áticos o en espacios de arrastre, o garajes.

ADVERTENCIA

PARA REDUCIR EL RIESGO DE INCENDIO, UTILICE ÚNICAMENTE CONDUCTOS METÁLICOS

ADVERTENCIA

PARA REDUCIR EL RIESGO DE INCENDIO DE LA GRASA DE LA COCINA:

- No deje nunca las unidades de superficie desatendidas en los ajustes altos. Los hervores causan humo y derrames de grasa que pueden encenderse. Caliente los aceites lentamente en ajustes bajos o medios.
- Encienda siempre la campana cuando cocine a fuego alto o cuando flamee alimentos (por ejemplo, Crepes Suzette, Cherries Jubilee, Peppercorn Beef Flambé).
- Limpie los ventiladores con frecuencia. No se debe permitir que la grasa se acumule en el ventilador o en el filtro.
- Utilice tamaños de ollas adecuados. Utilice siempre utensilios de cocina apropiados para el tamaño de la superficie del element

ADVERTENCIA

PARA REDUCIR EL RIESGO DE LESIONES A LAS PERSONAS EN CASO DE INCENDIO DE LA GRASA DE LA ENCIMERA, OBSERVE LAS SIGUIENTES PRECAUCIONES:*

- APAGUE LAS LLAMAS con una tapa ajustada, una bandeja para galletas o una bandeja metálica, y luego apague el quemador.
TENGA CUIDADO PARA EVITAR QUEMADURAS. Si las llamas no se apagan inmediatamente, EVACÚE Y LLAME AL DEPARTAMENTO DE BOMBEROS.
- NO AGARRES NUNCA UN SÁRTEN EN LLAMAS, puedes quemarte.
- NO USE AGUA, incluyendo paños de cocina o toallas mojadas - se producirá una violenta explosión de vapor. Utilice un extintor SÓLO si:
 - Usted sabe que tiene un extintor de clase ABC, y ya sabe cómo manejarlo.
 - El incendio es pequeño y está contenido en la zona donde se inició.
 - Se ha llamado a los bomberos.
 - Puedes luchar contra el fuego de espaldas a una salida.

*Basado en "Kitchen Fire Safety Tips" publicado por la NFPA.

ADVERTENCIA

Para reducir el riesgo de incendio o descarga eléctrica, no utilice este ventilador con ningún dispositivo de control de velocidad de estado sólido.

ADVERTENCIA

No deje que los niños se acerquen a este aparato. No deje que los niños jueguen con este aparato.

Mantenga todos los materiales de embalaje fuera del alcance de los niños. Deseche correctamente los materiales de embalaje después de desembalar el aparato.

NOTA

Adecuado para su uso en la zona de cocción del hogar.

Requisitos de instalación

Requisitos eléctricos

IMPORTANTE

Respete todos los códigos y ordenanzas vigentes.

Es responsabilidad del cliente:

- Para contactar con un instalador eléctrico cualificado.
- Para asegurarse de que la instalación eléctrica es adecuada y cumple con el Código Eléctrico Nacional, ANSI/NFPA 70 - última edición*, o las normas CSA C22.1-94, Código Eléctrico Canadiense, Parte 1 y C22.2 No.0-M91 - última edición** y todos los códigos y ordenanzas locales.

Si los códigos lo permiten y se utiliza un cable de tierra separado, se recomienda que un electricista cualificado determine que la trayectoria de la tierra es adecuada.

Se puede obtener una copia de las normas de los códigos anteriores en:

National Fire Protection Association

1 Batterymarch Park

Quincy, MA 02169-7471

CSA International

8501 East Pleasant Valley Road

Cleveland, OH 44131-5575

- Se requiere un circuito eléctrico de 120 voltios, 60 Hz., sólo CA, 15 amperios, con fusible.
- Si la casa tiene cableado de aluminio, siga el procedimiento siguiente.

1. Conecte una sección de cable de cobre sólido a los cables flexibles.
 2. Conecte el cableado de aluminio a la sección añadida de cable de cobre utilizando conectores y/o herramientas especiales diseñadas y homologadas por UL para unir cobre con aluminio.
- Siga el procedimiento recomendado por el fabricante del conector eléctrico. La conexión de aluminio/cobre debe cumplir con los códigos locales y las prácticas de cableado aceptadas por la industria.
 - Los tamaños de los cables y las conexiones deben ajustarse a la capacidad del aparato, tal como se especifica en la placa de características del modelo/serie. La placa de modelo/serie se encuentra detrás del filtro en la pared posterior de la campana extractora.
 - Los tamaños de los cables deben cumplir con los requisitos del Código Eléctrico Nacional, ANSI/NFPA 70 (última edición), o las normas CSA C22.1-94, Código Eléctrico Canadiense, Parte 1 y C22.2 N° 0-M91 (última edición y todos los códigos y ordenanzas locales).

Requisitos de instalación

Requisitos de ventilación

- El sistema de ventilación debe terminar en el exterior.
- No termine el sistema de ventilación en un ático u otra área cerrada.
- No utilice un tapón de pared tipo lavadero de 4" (10.2 cm).
- Utilice únicamente un respiradero metálico. Se recomienda un respiradero metálico rígido.
- No se recomienda la ventilación de plástico o de lámina metálica.
- La longitud del sistema de ventilación y el número de codos deben mantenerse al mínimo para proporcionar un rendimiento eficiente. Para un funcionamiento más eficiente y silencioso:
 - No utilice más de tres codos de 90°.
 - Asegúrese de que haya un mínimo de 30" (76.2 cm) de ventilación recta entre los codos si se utiliza más de un codo. No instale 2 codos juntos.
- Utilice abrazaderas para sellar todas las juntas del sistema de ventilación.
- El sistema de ventilación debe tener una compuerta. Si la tapa del techo o de la pared tiene un amortiguador, no utilice el amortiguador suministrado con la campana extractora.
- Utilice calafateo para sellar la pared exterior o la abertura del techo alrededor de la tapa.
- El tamaño de la ventilación debe ser uniforme.

Métodos de ventilación

Para utilizar la salida superior de la campana para ventilar su campana, se requiere un sistema de ventilación redondo de 10" (25,4 cm). Este sistema de ventilación no está incluido y debe adquirirse por separado.

NOTA

No se recomienda la ventilación flexible. El respiradero flexible crea una contrapresión y una turbulencia de aire que reduce en gran medida el rendimiento. El sistema de ventilación puede terminar a través del techo o de la pared.

Instale siempre una cubierta metálica de ventilación en el lugar donde los conductos salen de la casa. La campana debe ventilarse únicamente hacia el exterior del edificio.

Dirección de descarga

Esta campana viene ajustada de fábrica para ventilar a través del techo (descarga vertical) o de la pared (descarga horizontal).

Para ventilar a través de una pared, se necesita un codo de 90°.

Instrucciones para la instalación de conductos

Por razones de seguridad, los conductos deben ventilar directamente al exterior (no en un ático, debajo de la casa, en el garaje o en cualquier espacio cerrado). No supere los 15,24 m de conducto. Mantenga los conductos tan cortos y rectos como sea posible. Los codos y las transiciones reducen la eficacia del flujo de aire.

Los codos y los giros en forma de "S" dan un caudal muy pobre y no se recomiendan. Un tramo corto y recto de conducto en la entrada de un ventilador remoto proporciona el mejor caudal.

Recomendaciones de conductos

El rendimiento adecuado depende de una colocación correcta de los conductos.

Tiempo frío

Las instalaciones de clima frío deben tener una compuerta adicional para minimizar el flujo de aire frío hacia atrás y una rotura de puente térmico no metálica para minimizar la conducción de las temperaturas exteriores como parte de los conductos. La compuerta debe estar en el lado del aire frío de la rotura de puente térmico. La rotura debe estar lo más cerca posible del lugar en el que los conductos entran en la parte calentada de la casa.

Aire de reposición

Los códigos de construcción locales pueden requerir el uso de sistemas de aire de reposición cuando se utilizan sistemas de ventilación por conductos con un movimiento de aire superior a los CFM especificados. Los CFM especificados varían de una localidad a otra. Es responsabilidad del propietario y del instalador determinar si se aplican requisitos y/o normas adicionales a instalaciones específicas.

Requisitos de instalación

Opciones de conductos

La campana está equipada con una transición redonda de 10" (25.4 cm) para la descarga de los humos al exterior.

Siga estrictamente las instrucciones establecidas en este manual. Dacor no se hace responsable de eventuales inconvenientes, daños o incendios causados por el incumplimiento de las instrucciones de este manual.

Preparación

No corte una viga o montante a menos que sea absolutamente necesario. Si es necesario cortar una viga o un montante, debe construirse un marco de soporte.

Se suministra material de fijación para sujetar la campana a la mayoría de los tipos de paredes/techos.

Sin embargo, un técnico cualificado debe verificar la idoneidad de los materiales de acuerdo con el tipo de pared/techo.

Antes de realizar los recortes, asegúrese de que existe un espacio libre adecuado dentro del techo o la pared para la ventilación del escape.

Altura de montaje

⚠ PRECAUCIÓN

Monte esta campana de manera que el borde inferior por encima de la superficie de cocción esté a 30" (76.2 cm) como mínimo para una superficie de cocción de gas o 24" (60.9 cm) para una superficie de cocción eléctrica.

No hay una altura máxima de montaje, sin embargo, recomendamos montar la campana a no más de 36" (91.4 cm) por encima de la superficie de cocción. Por cada pulgada (2.54 cm) por encima de 36" (91.4 cm), la eficiencia de captura de humos y humedad disminuye a un ritmo creciente y puede no ofrecer un nivel aceptable de rendimiento de ventilación.

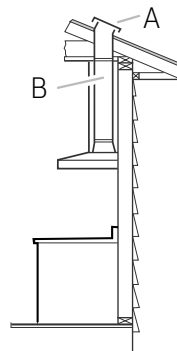
Esta campana está pensada para uso doméstico.

Compruebe la altura de su techo y la altura de la campana antes de seleccionarla.

Descarga horizontal

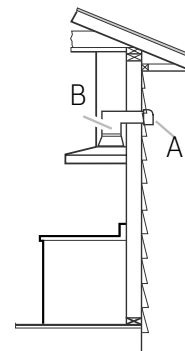
Se puede instalar un codo de 90° inmediatamente por encima de la campana.

Ventilación de techo



A. Tapa del techo
B. Ventilación redonda de 10" (25.4 cm)

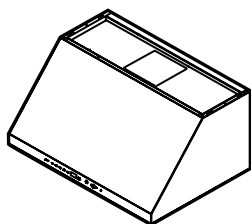
Ventilación de pared



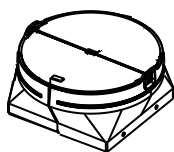
A. Tapa de pared
B. Ventilación redonda de 10" (25.4 cm)

Requisitos de instalación

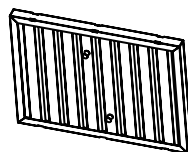
Qué hay en la caja



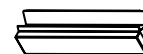
Montaje de la campana (1)



10" Transición (1)



Filtros
30" (2)
36" (2)
48" (3)



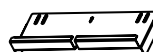
Bandejas de goteo
30" (2)
36" (2)
48" (3)



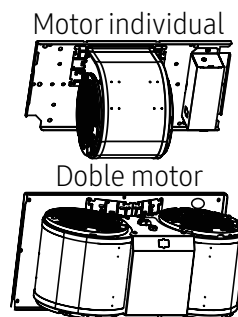
Bolsa de herramientas (1)



Literatura del producto
(2)



Soporte de la bandeja
de goteo
30" (1)
36" (1)
48" (2)



Ensamble del motor del
ventilador
30" (Motor individual)
36" (Doble motor)
48" (Doble motor)

Herramientas y piezas

Cómo quitar el embalaje.

⚠ PRECAUCIÓN

Retire el cartón con cuidado, use guantes para protegerse de los bordes afilados.

⚠ ADVERTENCIA

Retire la película protectora antes de la puesta en marcha.

Piezas suministradas

- Bolsa de herramientas con:

Part	Qty	Part	Qty
6 x 80 mm	6	Adaptador Torx 20	1
6 x 16 mm	4	Ø 6.4 x 11 mm arandelas	4
4.2 x 19 mm	4	Ø 5.3 x 20 mm arandelas	2
Tornillos de la bandeja de goteo	2	3.5 x 9.5 mm	4
10 x 60 mm	6	Cable para conexión 6 - 9	1

Requisitos de instalación

Piezas no suministradas

Herramientas/materiales necesarios

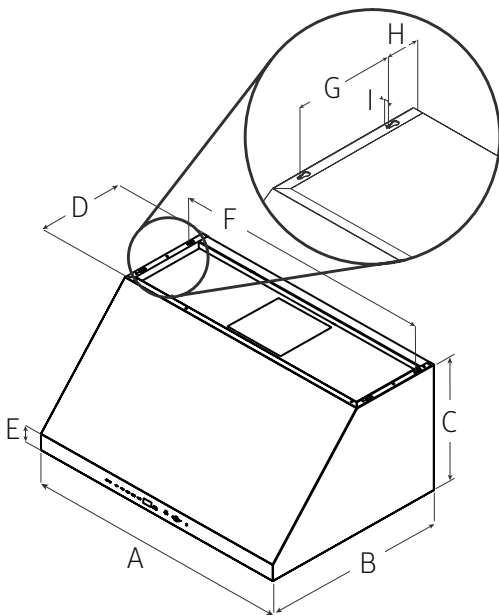
- Nivel
- Taladro con brocas de 1" (2.5 cm), 1/8" (3.0 mm) y 5/8" (15.8 mm)
- Lápiz
- Pelacables o cuchillo de uso general
- Cinta métrica o regla
- Alicates
- Pistola de calafateo y compuesto de calafateo resistente a la intemperie
- Abrazaderas de ventilación
- Caladora

- Tijeras de metal
- Destornilladores:
 - Phillips
 - Hoja plana

Piezas necesarias

- Cable de alimentación doméstico
- Alivio de tensión de 1/2" (12,7 mm) aprobado por UL o CSA
- 3 conectores de cable homologados por UL
- 1 tapa de pared o de techo
- Sistema de ventilación metálico

Dimensiones y espacios libres



	30"	36"	48"
A	30" (76 cm)	36" (91.2 cm)	48" (121.7 cm)
B	25" (63.2 cm)		
C	18" (45.7 cm)		
D	12" (30.5 cm)		
E	2 3/4" (7 cm)		
F	29 1/8" (74 cm)	35 1/8" (89.2 cm)	47 1/16" (119.6 cm)
G	7 1/2" (19 cm)		
H	2 9/16" (6.5 cm)		
I	3/8" (1 cm)		

Accesorios - Se vende por separado

	DHD30U990CS/DA	DHD36U990CS/DA	DHD48U990CS/DA	DHD30U990CM/DA	DHD36U990CM/DA	DHD48U990CM/DA
Kit de cubierta del conducto	DHD-D3020CS/DA	DHD-D3620CS/DA	DHD-D4820CS/DA	DHD-D3020CM/DA	DHD-D3620CM/DA	DHD-D4820CM/DA
Kit de extensión	DHD-D0000CS/DA			DHD-D0000CM/DA		

Instalación

Instrucciones de instalación

Recomendamos que un técnico cualificado instale la campana extractora. Es responsabilidad del instalador asegurarse de que la campana extractora cumple con las distancias de instalación especificadas para el producto.

- Se recomienda instalar el sistema de ventilación antes de instalar la campana.
- Si es posible, desconecte y retire cualquier aparato de cocción de debajo de la zona de la campana para facilitar el acceso a la pared posterior.
- Antes de hacer los recortes, asegúrese de que hay un espacio libre adecuado en el techo o la pared para la ventilación del escape.

- Confirme que todas las piezas de instalación han sido retiradas de la caja de envío.
1. Desconecte la alimentación en el panel de disyuntores o en la caja de fusibles.
 2. Determine el método de ventilación que va a utilizar: escape de techo o de pared.

📌 NOTA

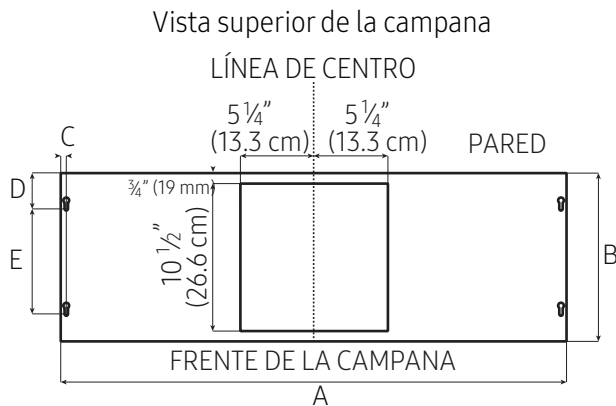
Esta campana viene ajustada de fábrica para ventilar por la salida de aire superior.

3. Seleccione una superficie plana para montar la campana extractora. Coloque una cubierta sobre esa superficie.

Escape superior exterior

Diagrama de instalación de la parte superior

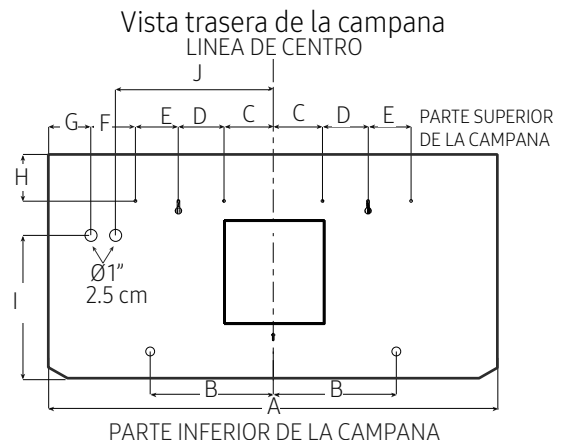
Utilice el diagrama o la campana como plantilla y marque las ubicaciones para los conductos, el cableado eléctrico y las ranuras para los tornillos de la cerradura.



	30"	36"	48"
A	30" (76 cm)	36" (91.2 cm)	48" (121.7 cm)
B	12" (30.5 cm)		
C	1" (2.5 cm)		
D	2 5/8" (6.5 cm)		
E	7 1/2" (19 cm)		

Diagrama de instalación trasera

Utilice el diagrama o la campana como plantilla y marque las ubicaciones en la pared para el cableado eléctrico y las ranuras de los tornillos de la cerradura.



	30"	36"	48"
A	30" (75.5 cm)	36" (90.6 cm)	48" (121.1 cm)
B	9 13/16" (25 cm)		
C	3 15/16" (10 cm)		
D	3 5/8" (9.2 cm)		
E	3 7/16" (8.7 cm)		
F	2" (5 cm)		
G	3 1/4" (8.2 cm)		
H	3 11/16" (9.3 cm)		
I	11 3/8" (28.9 cm)		
J	9 5/8" (24.5 cm)	12 5/8" (32 cm)	18 5/8" (47.3 cm)

Instalación

Instalación en la pared

▲ ADVERTENCIA

UTILICE DOS O MÁS PERSONAS PARA MOVER E INSTALAR LA CAMPANA EXTRACTORA. EL NO HACERLO PUEDE PROVOCAR LESIONES EN LA ESPALDA O DE OTRO TIPO.

La campana se sujeta a la pared con un soporte de madera que se fija en la parte trasera interior de la campana. Para sostener la campana de forma segura, el soporte de madera debe fijarse firmemente a por lo menos 2 montantes verticales de madera que se encuentren detrás del yeso que compone la pared.

📖 NOTA

Estas instrucciones no son aplicables a las paredes de mampostería (ladrillo, hormigón, etc.). Si tiene una pared de mampostería, consulte a un instalador profesional.

IMPORTANTE: Los montantes (o la pared si tiene un muro de mampostería) deben ser capaces de soportar hasta 150 libras.

📖 NOTA

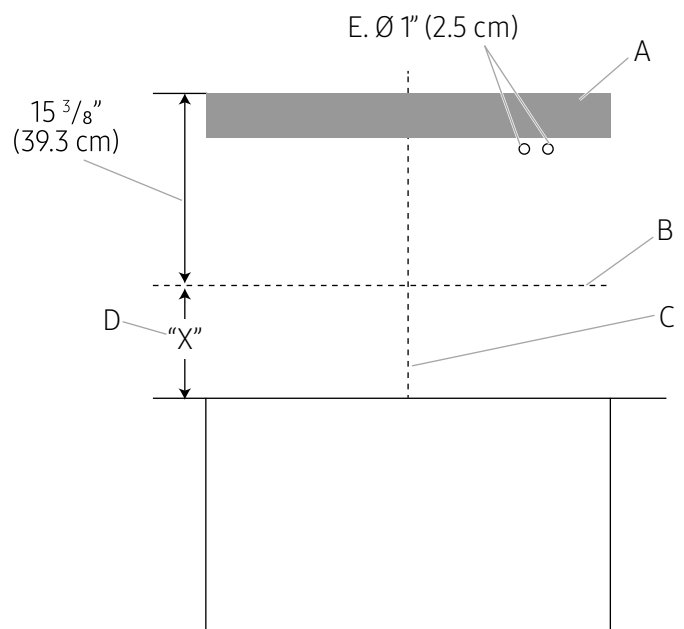
Si su cocina tiene una estructura de madera, al menos 2 tornillos suministrados para el montaje de esta campana extractora deben fijarse en montantes de madera maciza. No los fije sólo a la pared de yeso.

📖 NOTA

Marque los orificios ciegos de la campana extractora en la pared y realice los recortes necesarios antes de instalar la campana.

Instalación en la estructura de madera

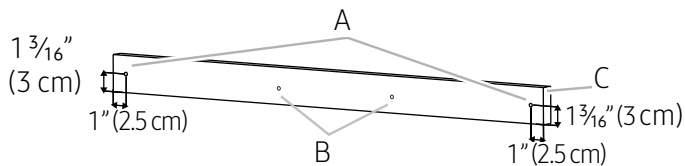
1. Determine y marque la línea central en la pared donde se instalará la campana.
2. Seleccione una "X" de altura de montaje para la parte inferior de la campana (Ver D abajo).
 - Para instalaciones de estufas y cocinas de gas: Monte la campana de manera que la parte inferior esté al menos a 30" (76.2 cm) por encima de la superficie de cocción.
 - Para instalaciones de cocinas eléctricas o de inducción: Monte la campana de manera que la parte inferior esté al menos a 24" (60.9 cm) por encima de la superficie de cocción
3. Marque una línea de referencia horizontal en la pared (B abajo) para la parte inferior de la campana. Utilice un nivel para confirmar que la línea está nivelada.
4. Encuentre y marque la ubicación de los montantes o soportes de madera detrás de la pared. Consulte el diagrama de instalación posterior.
5. Trace una línea a $15\frac{3}{8}$ " (39,3 cm) por encima de la línea de referencia de la parte inferior de la campana para marcar la ubicación del soporte de madera en la pared. Utilice un nivel para confirmar que la línea está nivelada.



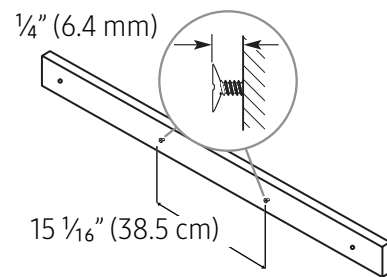
- A. Soporte de madera
- B. Parte inferior de la campana extractora
- C. Línea central
- D. Dimensión "x" = altura de montaje de la campana extractora
- E. Orificios para el cableado

Instalación

6. Retire el soporte de madera de la parte trasera de la campana aflojando los 2 tornillos desde el interior.
7. Alinee la parte superior del soporte de madera con la línea de ubicación del soporte de madera en la pared, y luego céntralo en la línea central.
8. Localice las marcas de los montantes en el soporte de madera y, a continuación, dibuje dos líneas verticales que marquen la intersección de los montantes con el soporte de madera.
9. Marque el centro de cada línea, retire el soporte de madera de la pared, y luego perforo un agujero piloto en el soporte en cada marca.
10. Una vez más, alinee la parte superior del soporte de madera con la línea de ubicación del soporte de madera, y luego céntralo en la línea central.
11. Pase una punta de lápiz o un punzón por los agujeros que acaba de perforar en el soporte de madera para marcar en la pared la ubicación de los agujeros piloto para los tornillos de 2 - 6 x 80 mm que irán a los montantes.
12. Marque también en la pared la ubicación de otros dos agujeros piloto (B) introduciendo la punta de un lápiz o un punzón en los agujeros pretaladrados en el centro del soporte de madera. Estos agujeros son para los anclajes de pared de 2 - 10 x 60 mm suministrados. Consulte el diagrama siguiente.
13. Retire el soporte de madera y, a continuación, perforo cuatro agujeros piloto en la pared.
14. Introduzca 2 - 10 x 60 mm de los anclajes de pared suministrados en los dos agujeros piloto del centro.
15. Fije el soporte de madera a la pared atornillando 2 - 6 x 80 mm de tornillos de fijación a través del soporte de madera en los agujeros piloto que perforó en los montantes.
16. Utilizando el diagrama de instalación posterior como guía (véase la página 12), corte los agujeros para el cableado en la pared.
17. Atornille 2 - 6 x 80 mm (tornillos de montaje) en los agujeros (B) en el centro del soporte de madera. Atorníllelos a través del soporte en los anclajes situados debajo. Deje un espacio de $\frac{1}{4}$ " (6.4 mm) entre la pared y la parte posterior de la cabeza del tornillo para deslizar la campana extractora en su lugar.



- A. Agujeros para tornillos
- B. Agujeros para tornillos (ya hechos)
- C. Soporte de madera



NOTA

Una vez montada la campana, hay que apretar estos tornillos.

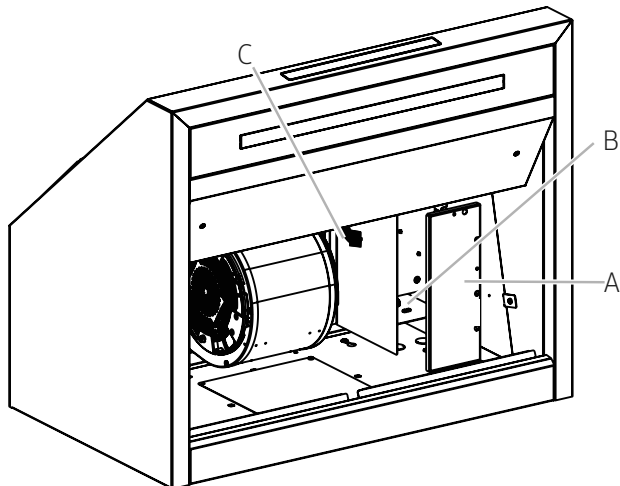
Instalación

Preparación completa

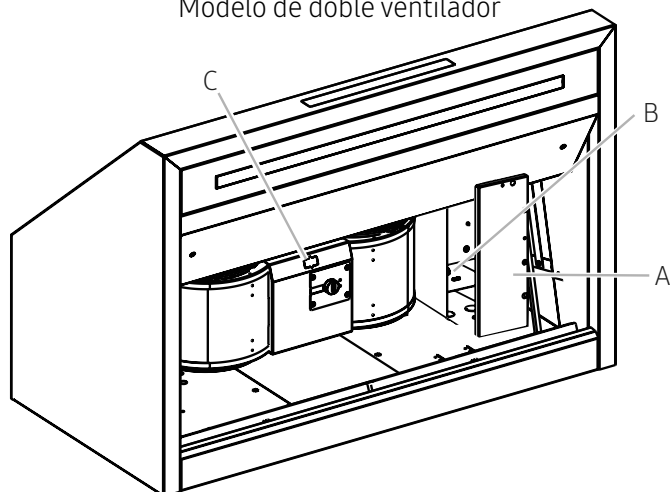
1. Determine y haga todos los cortes necesarios en la pared o el techo para el sistema de ventilación. Instale el sistema de ventilación antes de instalar la campana extractora. Consulte la sección "Métodos de ventilación".
2. Determine el lugar por donde pasará el cable de alimentación a través de la pared.
3. Perfore un agujero de 1 ¼" (3,2 cm) en este lugar.
4. Pase suficiente cable de alimentación a través de la pared para permitir una fácil conexión a la caja de terminales.
5. Retire la tapa de la caja de terminales y déjala a un lado.

- A. Tapa de la caja de conexiones
- B. Knockout
- C. Conector del cable de alimentación

Modelo de ventilador individual

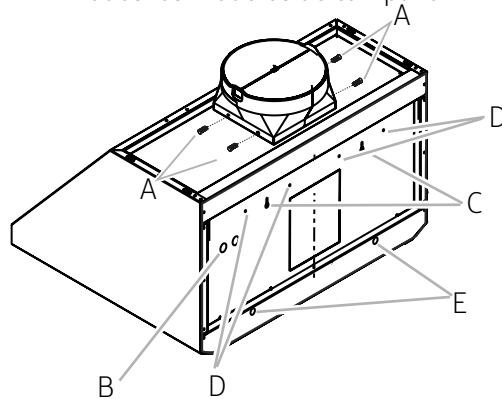


Modelo de doble ventilador



6. Para todos los modelos de campana, instale la transición de ventilación redonda de 10" (25,4 cm) con amortiguador en la parte superior de la campana extractora (según su instalación), utilizando 4 tornillos de 3,5 x 9,5 mm.
7. Retire el orificio ciego de la parte posterior de la campana extractora e instale un tubo de ventilación de ½" (1,3 cm) aprobado por UL o CSA. (1,3 cm) de alivio de tensión.

Todos los modelos de campana



- A. 4 - 3.5 x 9.5 mm tornillos
- B. Knockout
- C. Ranura para tornillos de montaje
- D. 4 - 4.2 x 19 mm tornillos ranuras
- E. 2 - 6 x 80 mm tornillos ranuras

NOTA

El adaptador/amortiguador de escape puede instalarse hasta 1 pulgada a cada lado del centro de la campana para acomodar los conductos descentrados. En instalaciones extremadamente descentradas, puede ser necesario recortar un extremo del conector del conducto para dejar libre la abrazadera del cable eléctrico.

8. Coloque la campana extractora cerca de su posición de montaje y pase el cable de alimentación a través del alivio de tensión hasta la caja de bornes (lo suficiente para hacer la conexión).
9. Apriete los tornillos del alivio de tensión.
10. Realice la conexión eléctrica. Consulte el apartado "Conexión eléctrica" (p.56)

Instalación

Montaje de la campana

📄 NOTA

Marque los orificios ciegos de la campana extractora en la pared y realice los recortes necesarios antes de la instalación.

📄 NOTA

La campana extractora se fija a la pared mediante los 6 tornillos de fijación en el soporte de madera montado en la pared.

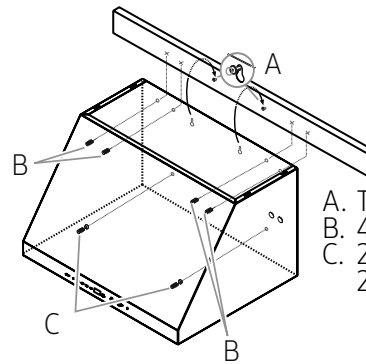
Para montar la campana, siga estos pasos:

1. Con la ayuda de 2 o más personas, cuelgue la campana extractora en la pared colocando los 2 tornillos montados en el soporte de madera fijado a la pared a través de la parte ancha de los orificios ranurados en la parte posterior de la campana extractora.
2. Tire de la campana extractora hacia abajo para que los tornillos sobresalgan por las partes estrechas de las ranuras, alinee la parte inferior de la campana con la línea horizontal que marca el fondo de la campana, nivele la campana y apriete los 2 tornillos de montaje.

📄 NOTA

Si su instalación utiliza la cubierta del conducto opcional, el sistema de ventilación debe estar conectado a la campana extractora y la cubierta del conducto montada en la parte superior de la campana extractora antes de apretar los tornillos de montaje.

3. Marque 2 ubicaciones de agujeros de montaje inferiores. Taladre agujeros piloto de $\frac{1}{8}$ " (0.32 cm) si los agujeros se van a perforar en los montantes de madera o en el armazón. Si los agujeros no se van a perforar en la madera, perforo dos agujeros piloto de $\frac{3}{8}$ " (0.95 cm) e inserte anclajes de pared de 10 x 60 mm. Instale 2 - tornillos de 6 x 80 mm con arandelas de 5.3 x 20 mm (D y C) en los orificios de montaje inferiores y apriételo.



- A. Tornillos de montaje
- B. 4 - 4.2 x 19 mm tornillos
- C. 2 - 6 x 80 mm tornillos con
2 - 5.3 x 20 mm arandelas

4. Instale los 4 tornillos de 4.2 x 19 mm (B) a través de la parte trasera de la campana en el soporte de madera y apriételos.
5. Conecte el sistema de ventilación a la campana. Selle todas las juntas con abrazaderas.

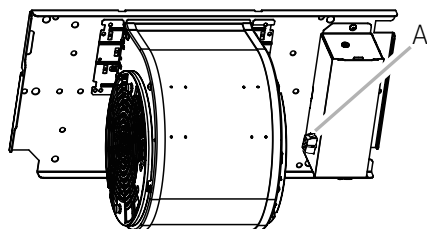
Instalación

Instalar el motor del ventilador de la campana

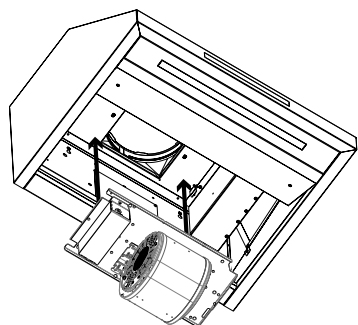
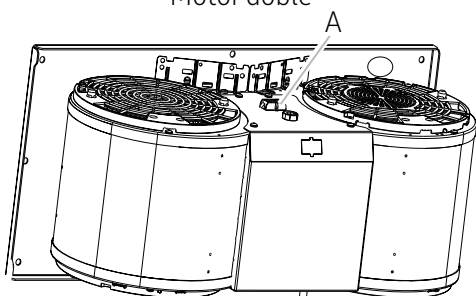
1. Coloque el conjunto del motor del ventilador de la campana extractora en el interior de la misma.

A. Conexión de cables

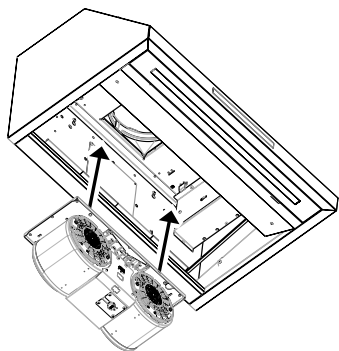
Motor individual



Motor doble

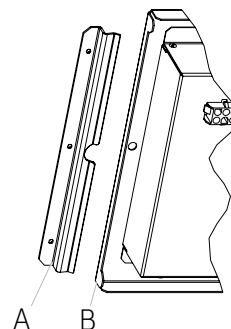


Motor individual



Motor doble

2. Deslice la brida de la placa de montaje izquierda bajo el soporte de montaje del motor del ventilador.

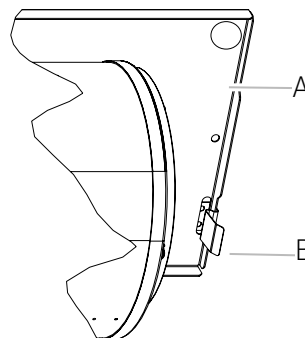


A. Soporte de montaje del motor
B. Placa de montaje brida izquierda

3. Empuje el extremo derecho de la placa de montaje del motor hacia arriba, y luego encájelo en la lengüeta del muelle.

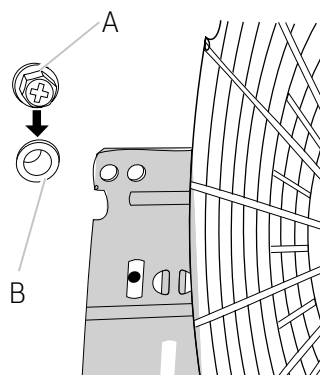
NOTA

La lengüeta del muelle debe estar fuera de la ranura de la placa de montaje.



A. Placa de montaje del motor
B. Lengüeta del muelle

4. Alinee los agujeros de montaje y luego instale 4 - 6 x16 mm tornillos con 4 - 6.4 x11 mm arandelas de seguridad.

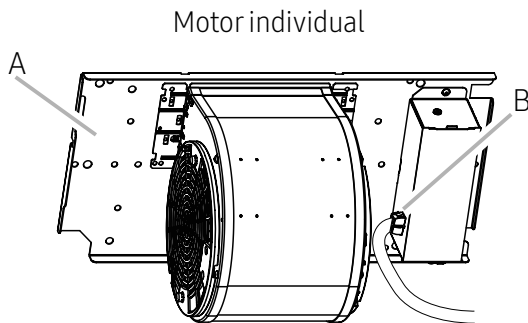


A. Tornillo con arandela de seguridad
B. Agujero de montaje

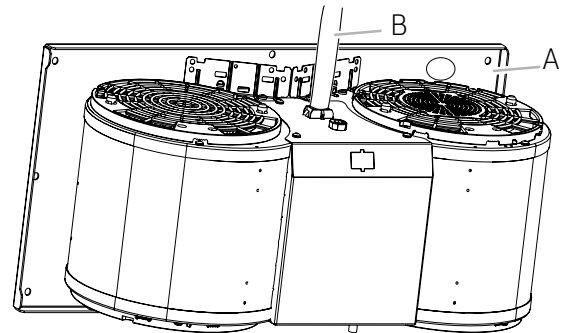
Instalación

5. Realice la conexión entre el ventilador y la caja de conexiones con el conector del ventilador suministrado.

- A. Placa de montaje del motor
- B. Conector del ventilador del cable de alimentación



Motor doble

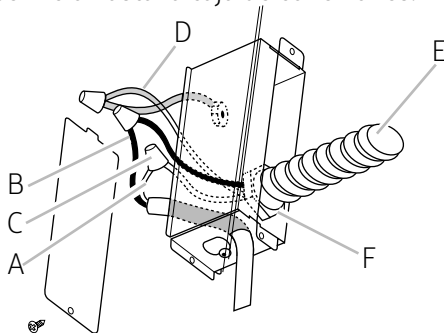


Conexión eléctrica

▲ ADVERTENCIA

PELIGRO DE DESCARGA ELÉCTRICA. DESCONECTE LA ALIMENTACIÓN ANTES DE REALIZAR EL MANTENIMIENTO. SUSTITUYA TODAS LAS PIEZAS Y PANELES ANTES DE PONERLO EN FUNCIONAMIENTO. EL NO HACERLO PUEDE PROVOCAR LA MUERTE O UNA DESCARGA ELÉCTRICA.

1. Pase 3 cables -negro, blanco y verde- de acuerdo con el Código Eléctrico Nacional y los códigos y ordenanzas locales, en un conducto de 1/2" desde el panel de servicio hasta la caja de conexiones.



- A. Cables blancos
- B. Cables negros
- C. Conectores de cables con certificación UL
- D. Cables verdes, desnudos o amarillo/verde
- E. Fuente de alimentación doméstica
- F. Con homologación UL o CSA 1/2" (1,3 cm) de alivio de tensión

▲ ADVERTENCIA

CONECTE A TIERRA ELÉCTRICAMENTE EL VENTILADOR. CONECTE EL CABLE DE TIERRA A LOS CABLES DE TIERRA VERDE Y AMARILLO DE LA CAJA DE TERMINALES. NO HACERLO PUEDE PROVOCAR LA MUERTE O UNA DESCARGA ELÉCTRICA.

2. Utilice conectores de cables homologados por UL y conecte los cables negros (B) entre sí.
3. Utilice conectores de cables homologados por UL y conecte los cables blancos (A) entre sí.
4. Conecte el cable de tierra verde (o desnudo) de la fuente de alimentación doméstica al cable de tierra verde/amarillo (D) de la caja de terminales utilizando conectores de cable homologados por UL.
5. Cierre y asegure la tapa de la caja de conexiones.

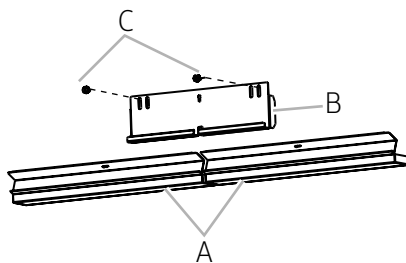
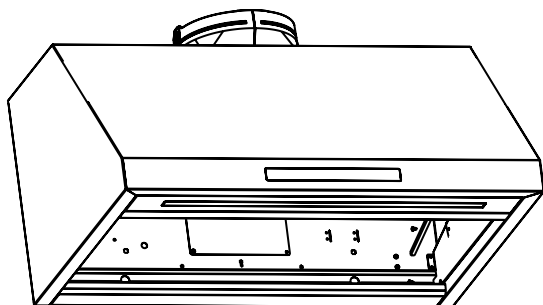
Instalación

Completa la instalación

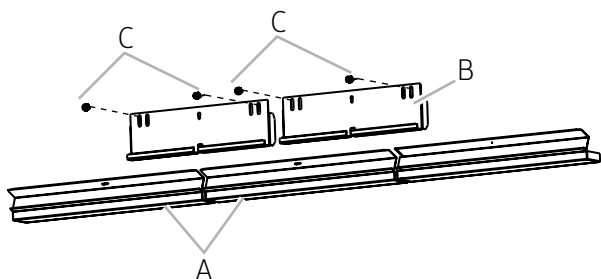
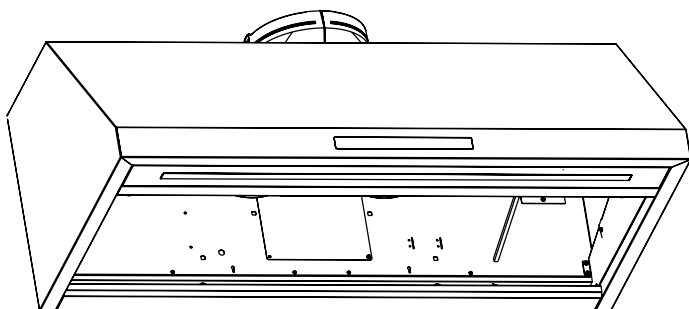
1. Coloque el soporte de la bandeja de goteo sobre el soporte del filtro trasero de la campana y coloque 2 tornillos de la bandeja de goteo en las ranuras.

- A. Bandejas de goteo
- B. Soporte de la bandeja de goteo
- C. Tornillos de la bandeja de goteo

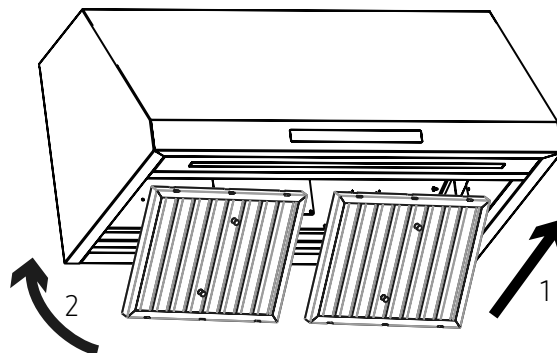
Motor individual



Motor doble



2. Agarre las asas del filtro con ambas manos y luego coloque el borde delantero del filtro en la campana.
3. Empuje hacia arriba la parte posterior del asa y, a continuación, coloque la parte posterior del filtro en la bandeja de goteo para asegurarlo. Repita la operación con cada filtro.



Modelo mostrado sólo como referencia, características pueden variar

Coloque los filtros y compruebe el funcionamiento de la campana.

- Para obtener un uso más eficiente de su nueva campana extractora, lea el manual de "Uso y cuidado".
- Mantenga estas instrucciones de instalación y la guía de uso y cuidado cerca de la campana extractora para facilitar su consulta.

Instalación

Coloque la placa Dacor

Utilice la plantilla de esta página para alinear la placa. Recorte la plantilla y péguela en la superficie frontal de la campana y verifique que la plantilla esté alineada con el lado derecho de la campana y dentro del borde superior e inferior de la superficie frontal. Practique la colocación de la placa antes de retirar el papel adhesivo.



NOTA: La placa de identificación tiene un adhesivo de muy alta retención - una vez que la placa está pegada es extremadamente difícil de quitar.

Antes de retirar el papel de liberación de la parte posterior de la placa, practique la colocación de la placa en la posición correcta en la campana sin que se superpongan la placa y esta plantilla.

Después de esta práctica, retire el papel protector de la parte posterior de la placa de identificación y coloque la placa de identificación en la campana sin que se superponga la placa de identificación a esta plantilla. Retire y deseche esta plantilla.



Notas

dacor[®]
