

dacor[®]

Installation Instructions

Modernist Built-In Electric Wall Oven

DOB30M977

Contents

Before you begin...	3
Important	3
Customer-service info	3
If You Need Help...	3
Important safety instructions	4
Related equipment safety	4
Transport	4
Installation requirements	6
Location requirements	6
Installation materials	7
Single ovens—Product Dimensions	8
Double ovens—Product Dimensions	11
Installation instructions	15
Preparing to install the oven	15
Removing and replacing the oven door(s)	15
Electrical connection	18
Installing the oven	21
Installation checklist	22
Self-diagnosis	23

Before you begin...

Important



Design/accessories vary with the model.

Installer

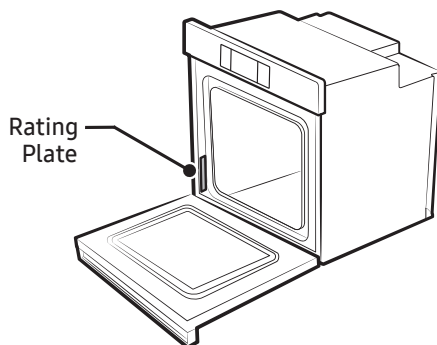
- For safety and to minimize problems, read this manual thoroughly before starting the installation.
- Leave this manual with the user.
- Write the oven's model/serial numbers in this manual for service/maintenance reference.

User

- Keep this manual for personal and professional reference.

Customer-service info

If You Need Help...



To resolve installation issues, contact your Dacor® dealer or Dacor Customer Assurance. Have the oven model/serial numbers ready when you call. This information is on the rating plate on the lower-left door trim. (For double ovens, the plate is on the lower oven.)

Dacor Customer Assurance

(800) 793-0093 x2813 (USA, Canada)

Mon – Fri, 5:00 a.m. to 5:00 p.m. Pacific Time

Website: www.dacor.com/customer-care/contact-us

All specifications are subject to change without notice. Dacor assumes no liability for such changes.
© 2017 Dacor. All rights reserved.

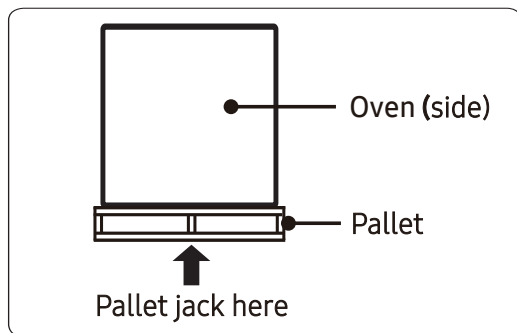
Important safety instructions

Related equipment safety

Remove all tape and packaging before using the oven, and dispose of the packaging. Never let children play with packaging material.

Do not modify the oven (e.g., do not remove panels, wire covers, or screws).

Transport



To avoid damaging the oven vent, use the transport method shown at left.

Lift/support the oven bottom from either side, and move it to the installation site.

Leave the oven attached to the pallet until it is ready to be lifted into place.

⚠ DANGER

ELECTRICAL SHOCK HAZARD

To avoid electrical shock, personal injury, or death, verify your appliance is grounded according to local codes or, in their absence, with the National Electrical Code (NEC). ANSI/NFPA 70-latest edition.

⚠ WARNING

MOVING HAZARD

To avoid severe personal injury, handle/move the oven with two or more people. Using an appliance-moving device is recommended.

Important safety instructions

WARNING

- Follow the information in this manual precisely to avoid fire or electrical shock that may cause property damage, personal injury, or death.
- Ensure the oven is properly installed and grounded by a qualified technician.
- New branch-circuit installations (1996 NEC), mobile homes, RVs, or installations where local codes prohibit grounding through the neutral conductor, require 4-wire branch-circuit connection.
- Improper connection of aluminum house wiring to copper leads can cause an electrical/fire hazard. Use only connectors designed for joining copper to aluminum, and follow the manufacturer's recommended procedure.
- Mounting screws must be used to secure the oven so it cannot be shifted/dislodged.

CAUTION

- The cabinets and wall coverings around the oven must be able to withstand the heat [up to 194 °F (90 °C)] generated by the oven.
- Do NOT remove the spacers from the oven's left/right sides. The spacers center the oven in the cabinet cutout so heat does not build up in one area and damage the cabinetry or cause a fire hazard.

IMPORTANT NOTE

The installer shall ensure proper installation. The warranty does NOT cover product failure due to improper installation.

WARNING

Do NOT put weight on the oven door or let anyone climb, sit, stand, or hang on it. The door could break free, causing personal injury and property damage.

WARNING

The electricity must be off while the electrical connections are made. If not, severe personal injury or death may occur.

IMPORTANT NOTE

- Observe all governing ordinances.
- Properly ground the oven.
- Do not block oven vents (bottom-front of the oven) or leave combustible or heat-sensitive items in front of them.

Installation requirements

Location requirements

IMPORTANT: Observe all governing ordinances.

- Specified cutout dimensions are minimums and must be used.
- The cabinet recess must completely enclose all but the face of the oven.
- A grounded electrical supply is required. (See **Electrical Requirements**.)
- Put the electrical-supply junction box at most 3" (7.6 cm) below the support platform.
- Drill a 1" (2.5 cm) min. diameter hole in the right-/left-rear corner of the support platform for conduit access to the junction box.

 **NOTE**

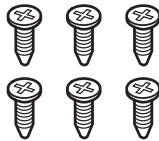
For under-counter installation, the junction box should be in the adjacent right/left cabinet. For rear-wall installation, the junction box should be recessed in the upper-right corner of the cutout.

- The support platform must be solid, level, and flush with bottom of cabinet cutout.
- Single oven: The floor must support 221 lb (100 Kg).
- Install the oven at least 12" (30 cm) from other appliances.

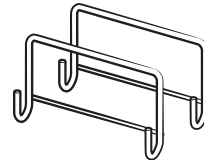
IMPORTANT: Verify with your builder or cabinet supplier that the materials used will not discolor, delaminate, or sustain other damage. This oven complies with UL and CSA International requirements, and the max. allowable wood-cabinet temp. of 194 °F (90 °C).

Installation Materials

Provided items

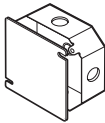


6 screws (M4 L16)
(4 needed for installation, 2 extra)



Install Handle (only for double oven)

Needed Items



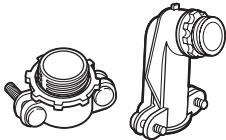
Junction Box



Wire Nuts



Drill



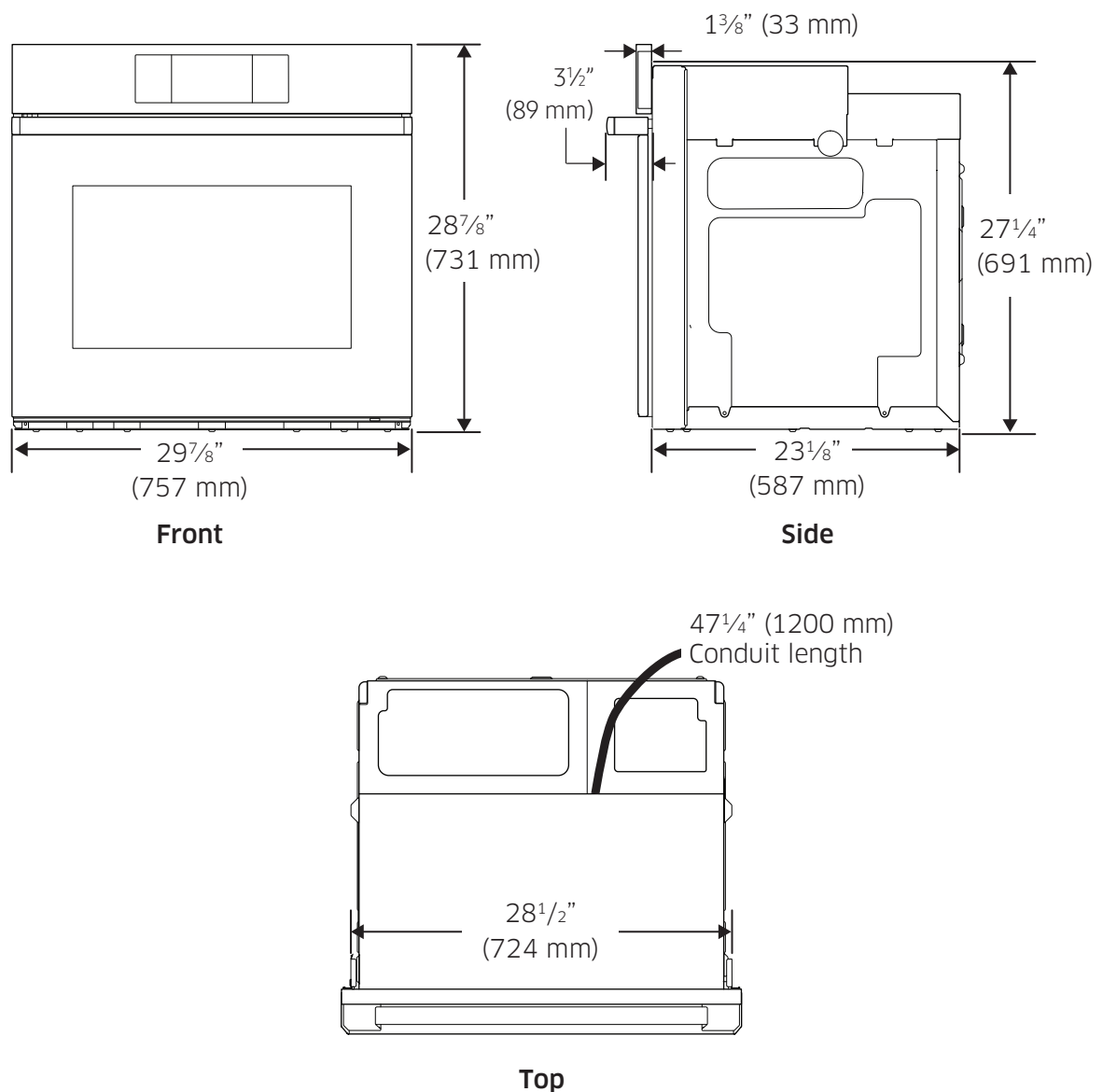
$\frac{3}{4}$ " Conduit Connector



Phillips Screwdriver

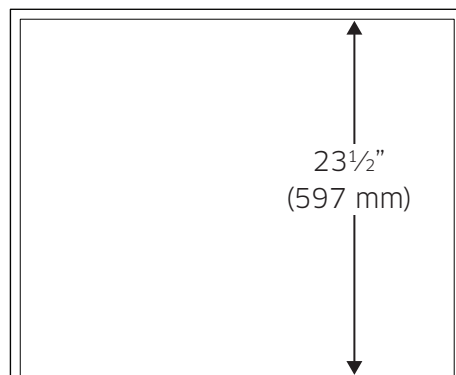
Installation requirements

Single ovens—Product Dimensions

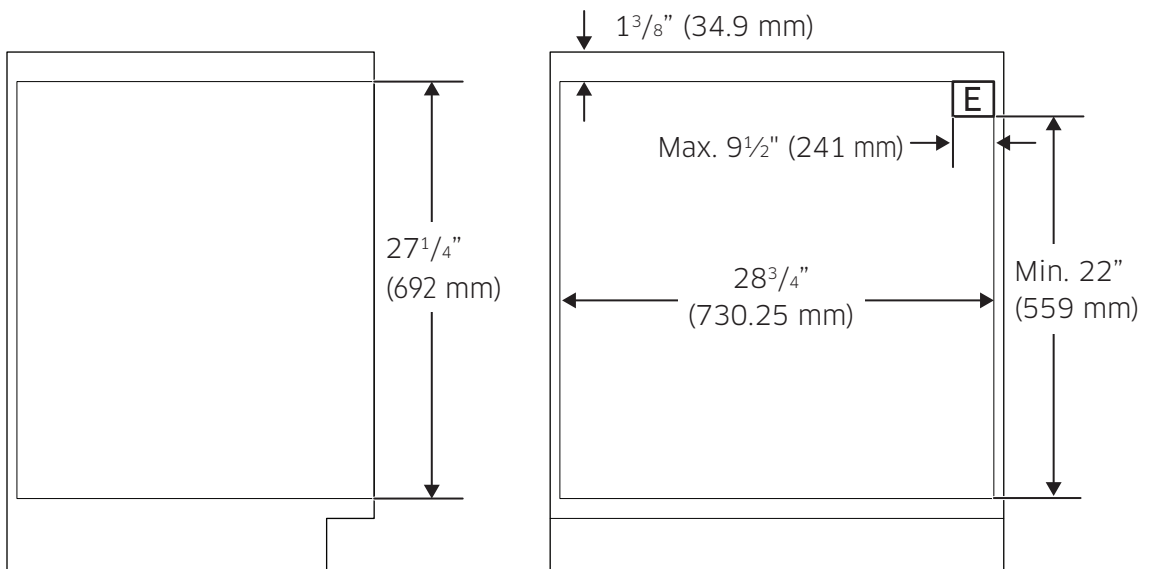


Standard cabinet dimensions

- Dimensions are minimums (except electrical supply location **E**)
- Allow at least 22" between the open oven door and opposing cabinetry, walls, etc.
- Leave at least 1" clearance under oven and 1-3/8 in. from cutout opening to cabinet above or countertop.
- (Flush-mount only) Leave at least 2 1/2" unobstructed space below oven.



Top



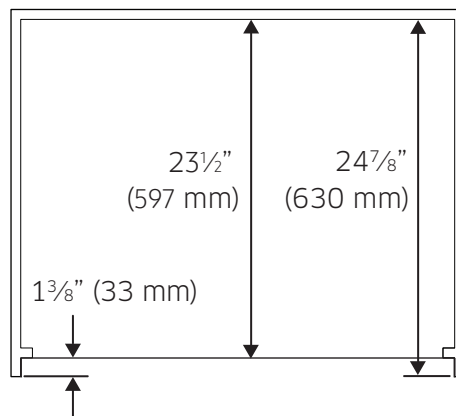
Side

Front

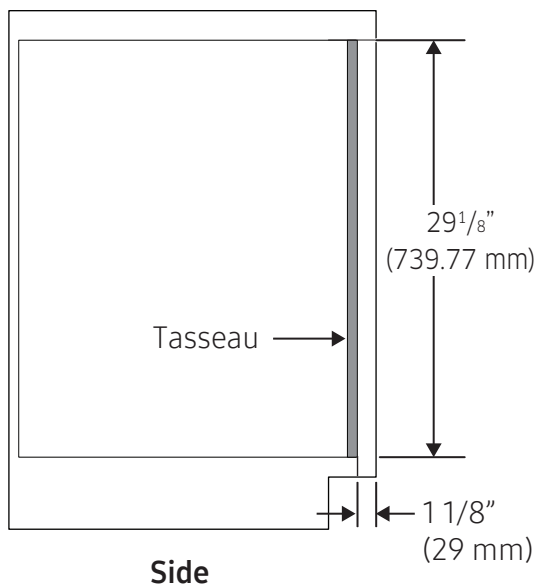
Installation requirements

Flush-cabinet dimensions

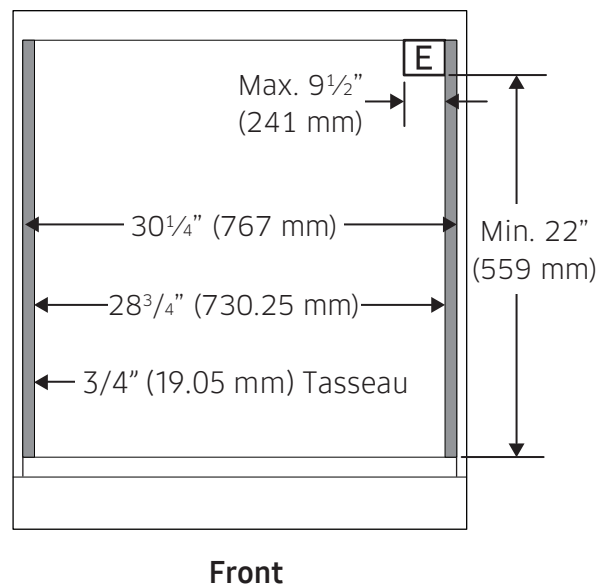
- Dimensions are minimums (except electrical supply location E)
- Allow at least 22" between the open oven door and opposing cabinetry, walls, etc.
- Leave at least 1" clearance under oven and 1-3/8 in. from cutout opening to cabinet above or countertop.
- (Flush-mount only) Leave at least 2 1/2" unobstructed space below oven.



Top

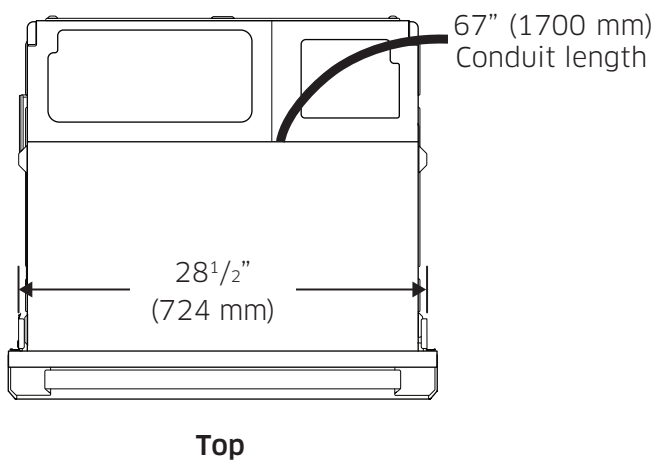
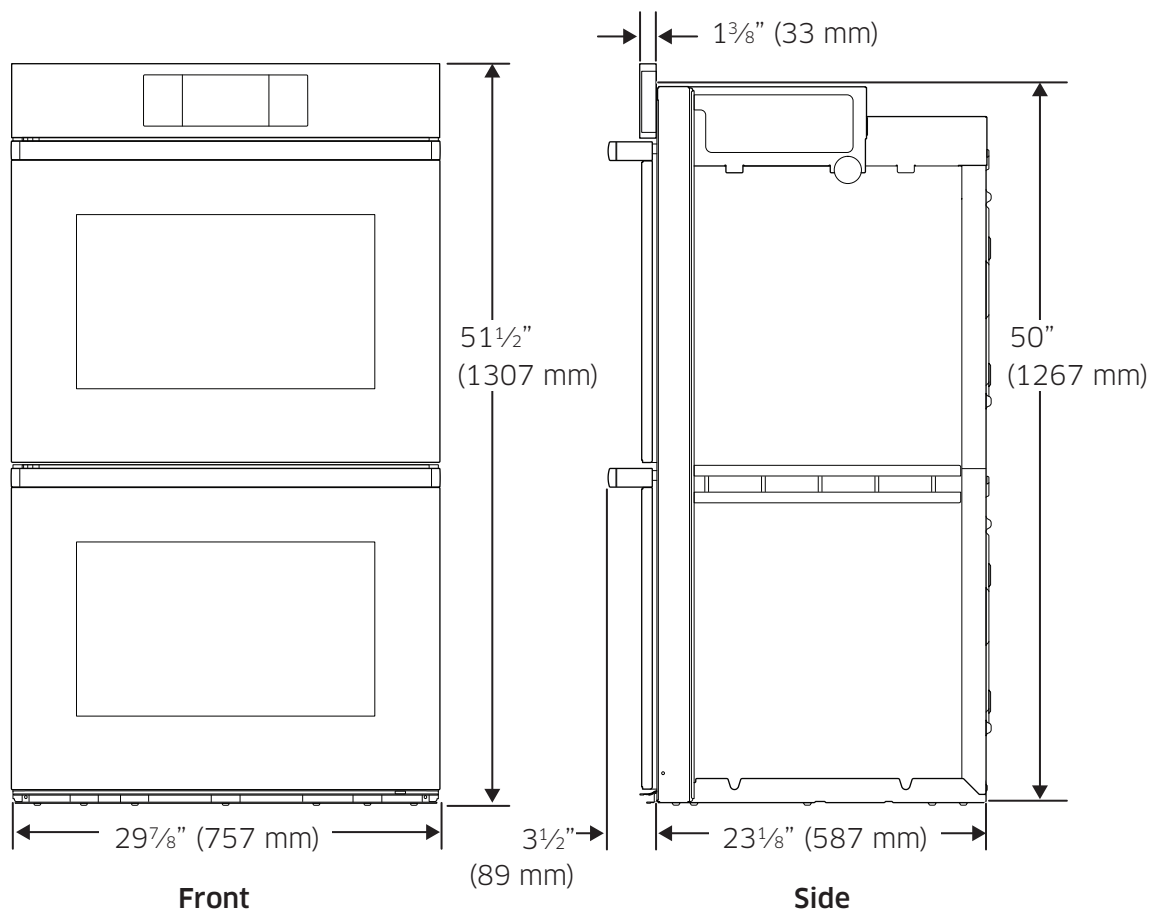


Side



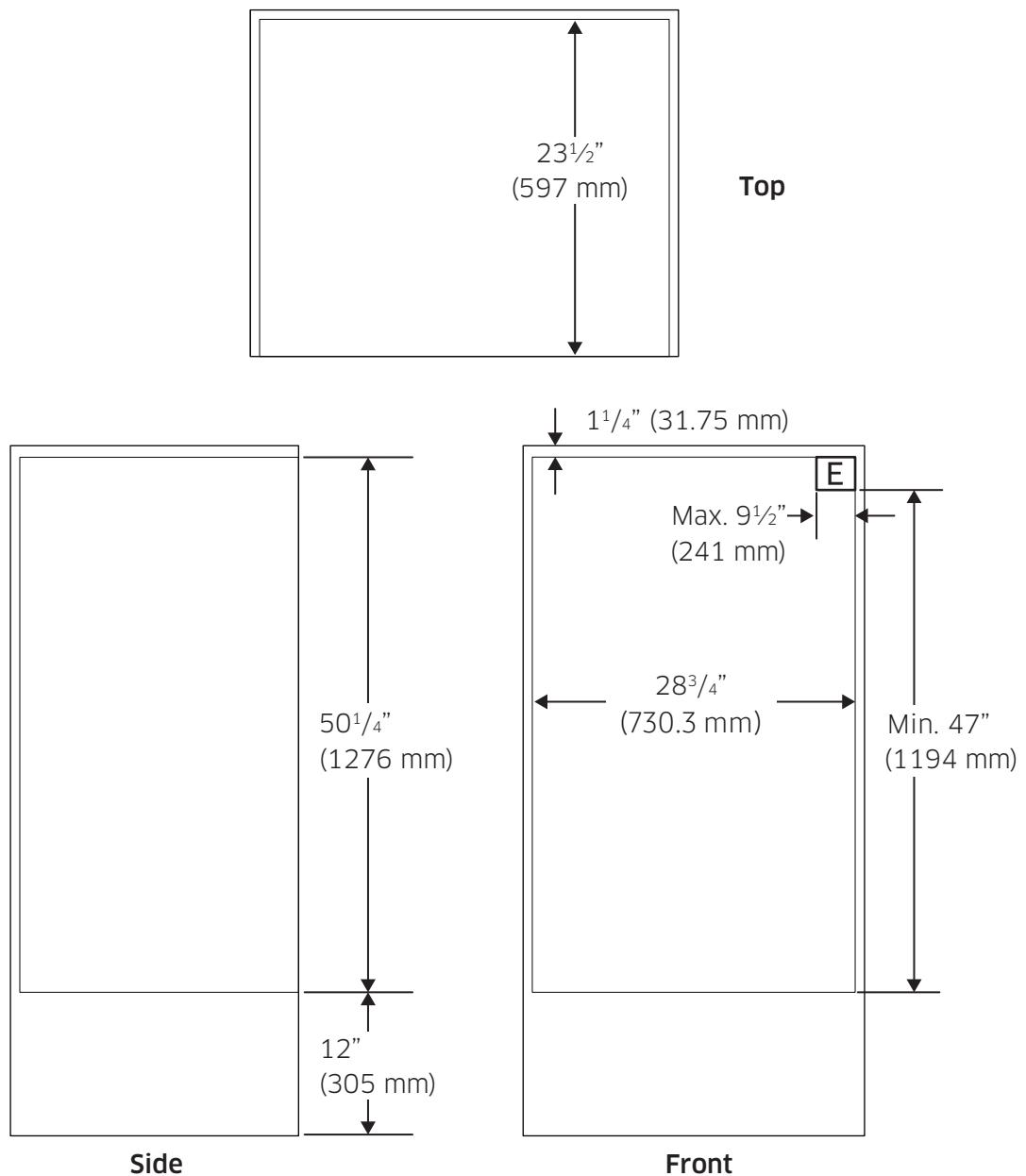
Front

Double ovens—Product dimensions



Standard cabinet dimensions

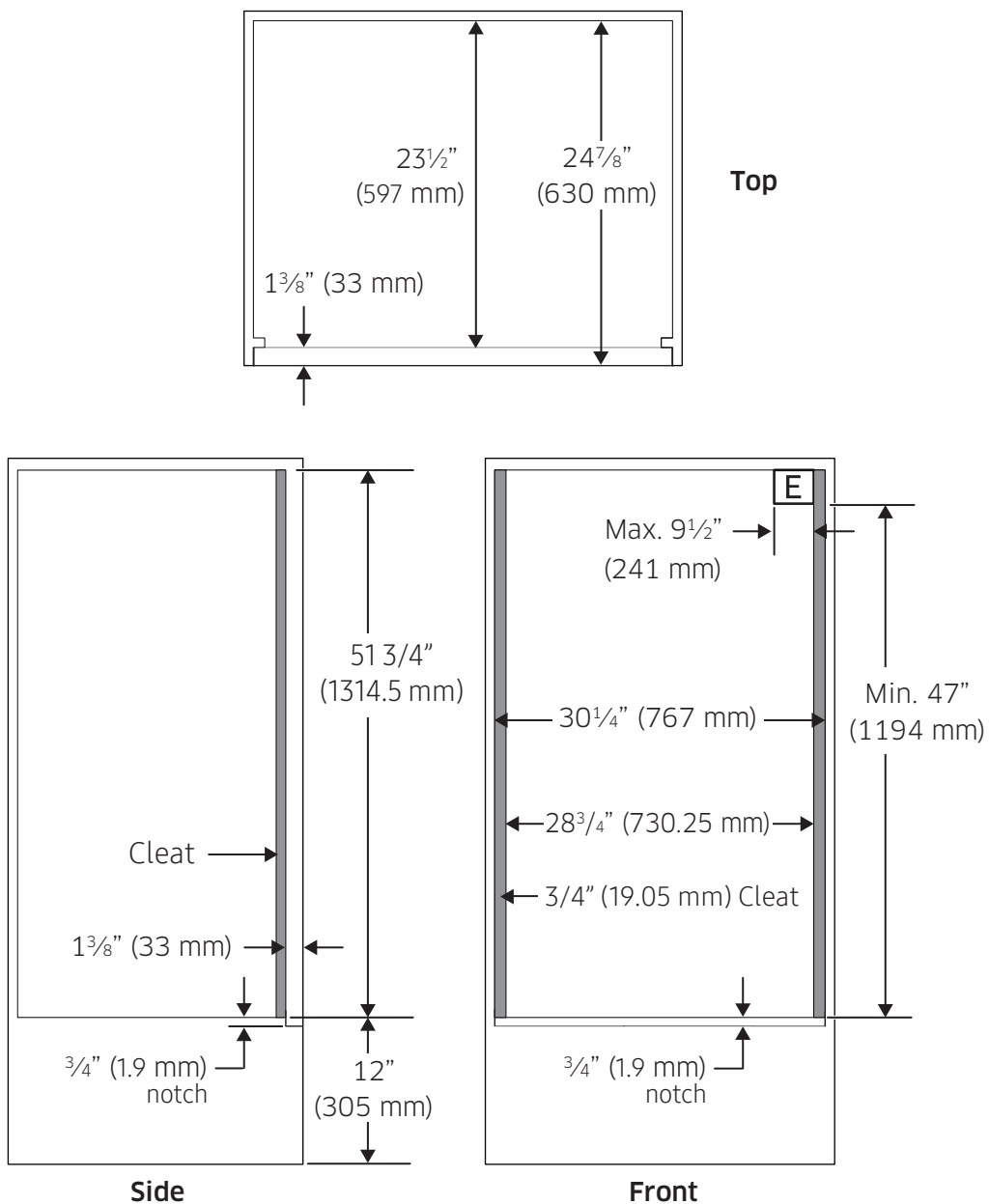
- Dimensions are minimums (except electrical supply location E)
- Allow at least 22" between the open oven door and opposing cabinetry, walls, etc.
- Leave at least 1" clearance under oven and 1-3/8 in. from cutout opening to cabinet above or countertop.
- (Flush-mount only) Leave at least 2 1/2" unobstructed space below oven.



Installation requirements

Flush-cabinet dimensions

- Dimensions are minimums (except electrical supply location E)
- Allow at least 22" between the open oven door and opposing cabinetry, walls, etc.
- Leave at least 1" clearance under oven and 1-3/8 in. from cutout opening to cabinet above or countertop.
- (Flush-mount only) Leave at least 2 1/2" unobstructed space below oven.



If codes permit and a separate ground wire is used, a qualified electrician should verify that the ground path and wire gauge comply with local codes. Check with a qualified electrician if you are unsure of the oven's grounding status. This oven must connect to a grounded-metal, permanent wiring system.

Verify that the electrical connection and wire size are adequate and comply with the Nat'l Electrical Code, ANSI/NFPA 70-latest edition or CSA Standards C22.1-94, Canadian Electrical Code, Part 1 and C22.2 No. O-M91-latest edition, and all local regulations.

A copy of these standards can be obtained from:

National Fire Protection

Association 1 Batterymarch
Park Quincy, MA 02169-7471

OR

CSA International

8501 E Pleasant Valley Rd
Cleveland, OH 44131-5575

Electrical Connection

To properly install the oven, determine the type of electrical connection you will use, and follow the directions in this manual.

- The oven must connect to the proper voltage and frequency per the rating plate. (See pg. 4 for the plate's location.)
- A circuit breaker is recommended.
- Use the chart at right to decide the minimum recommended dedicated circuit protection:

KW Rating (240 V)	KW Rating (208 V)	Circuit Size (Dedicated)
≤4.8 KW	≤4.1 KW	20 Amp
4.9 KW - 7.5 KW	4.3 KW - 6.2 KW	30 Amp
7.3 KW - 9.6 KW	6.3 KW - 8.3 KW	40 Amp
9.7 KW - 12.0 KW	8.4 KW - 10.4 KW	50 Amp

- Connect directly to the circuit-breaker box (or fused disconnect) via flexible, armored, or non-metallic, sheathed, copper cable with ground wire.
- Connect the oven's flexible conduit directly to the junction box.
- Fuse both sides of the line.
- The conduit length must so the oven can be serviced without detaching the conduit.
- A UL-listed or CSA-approved conduit connector must be provided.
- If the house has aluminum wiring:
 - Connect a section of solid copper wire to the ends of the flexible conduit leads.
 - Connect the aluminum wiring to the added section of copper wire using special connectors and/or tools designed and UL listed for joining copper to aluminum.

Follow the electrical-connector manufacturer's recommended procedure. Copper/aluminum connection must comply with local codes and accepted wiring practices.

Power requirements for models DOB30M977S and DOB30M977D:

Model	240 VAC		208 VAC	
	Power	Circuit size	Power	Circuit size
DOB30M977S	5.6 kW	30 Amp	4.2 kW	30 Amp
DOB30M977D	11.2 kW	50 Amp	8.4 kW	50 Amp

*and associated models.

Installation instructions

Preparing to install the oven

⚠ WARNING

Excessive Weight Hazard

To avoid personal injury and property damage, use two or more people to move the oven.

1. Decide the oven's final location. Avoid drilling/cutting household wiring/plumbing.
2. To avoid floor damage, set the oven on a cardboard sheet. (Do not lift by the door handle or any part of the front frame.)
3. Reduce the oven's weight to ease installation:
 - a. Remove packing material and tape from the oven.
 - b. Remove racks and other accessories from the oven chamber.
 - c. Remove the oven door(s) (see below).
4. Keep any packing material (e.g., corner posts) that may aid the installation.
5. Remove the hardware from the literature pack.
6. Slide the oven (with cardboard beneath) to its installation site.

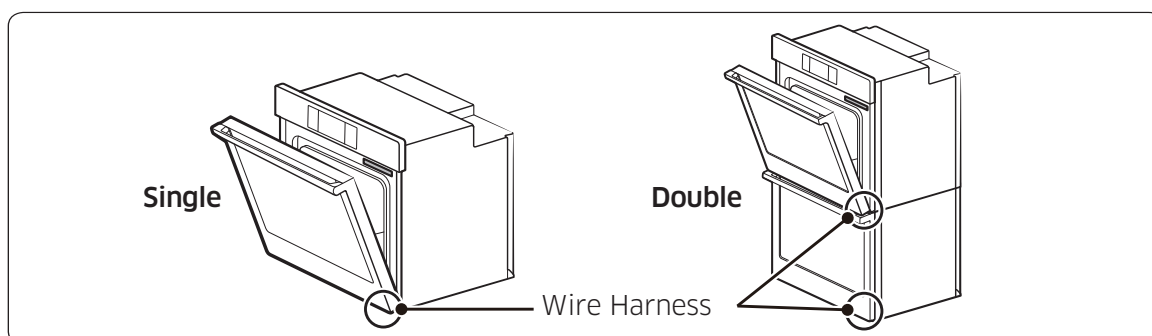
Removing and replacing the oven door(s)

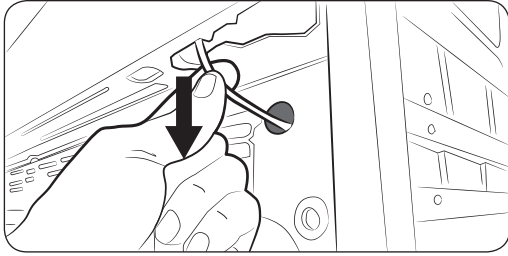
Removing the oven door(s) before lifting the oven into its cutout will make lifting easier and will lessen the risk of damaging the door(s) or injuring personnel.

- Remove the door(s) with both hands.
- Before removing a door, arrange a blanket (or the corner posts from the packing material) on a flat, stable surface on which you will lay the door(s).

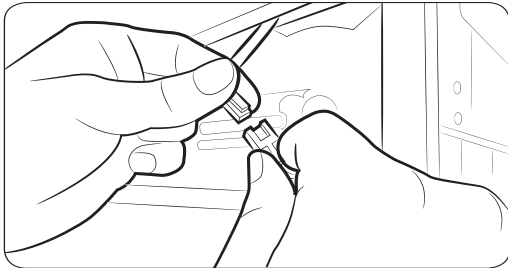
Disconnecting the LED wire harness

Find the harness, and disconnect it before removing the door.



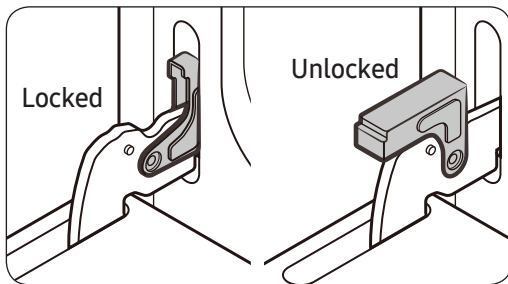


1. Carefully pull out the wire to reveal the connector.

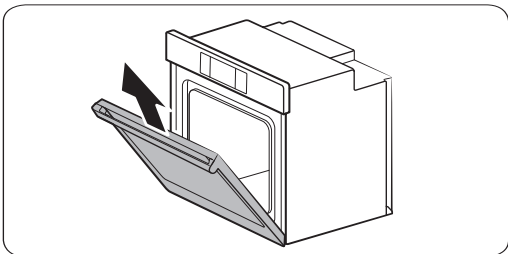


2. Uncouple the connector.

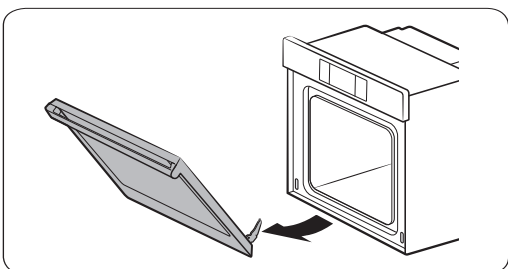
Removing the oven door(s)



1. Open the oven door fully flat.
2. Find the door hinge locks in both corners of the door, and flip them down to the unlocked position (see left) so the door can be removed.



3. Partially close the door to engage the door hinge locks. (The door stops at this point.)



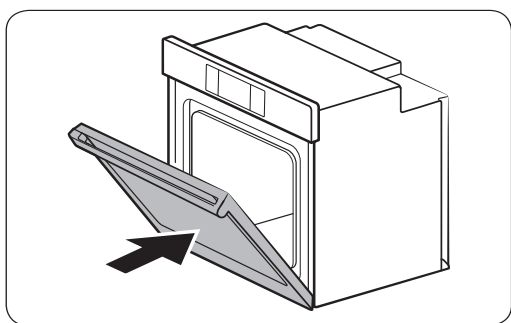
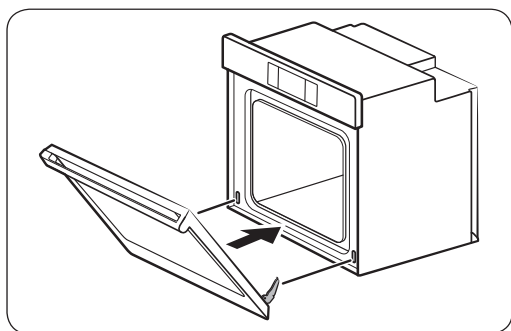
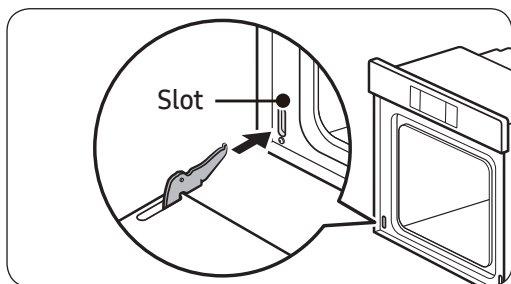
4. Grasp each side of the door, and pull it away from the oven. (You may need to wiggle the door side-to-side as you pull.)
5. Rest the door(s), handle-down, on the prepared surface.

Installation instructions

Replacing the oven door(s)

CAUTION

If needed, get help lifting the door into the hinge slots. Do not lift the door by the handle.



1. Grasping each side at the midpoint, lift the door, and face the oven.
2. With the door at a 45° angle, align the hinges with the slots in the lower front of the oven.
3. Slowly insert the hinges into the slots. (You will know the hinges are engaged when you feel the door drop slightly.)
4. Open the oven door fully flat. (If the door does not open a full 90°, repeat Steps 1 – 3.)
5. Flip the hinge locks up to the locked position. (See pg. 22.)
6. Close the oven door. (If the gap between the door and control panel is wider on one side, the hinge on that side is improperly set.)
7. Connect the wire harness.

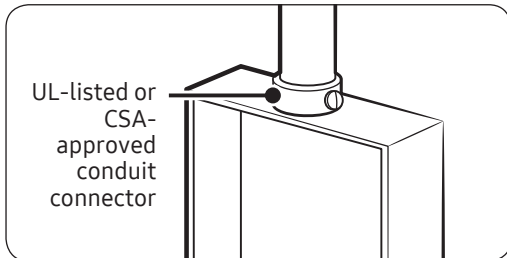
Electrical connection

⚠ WARNING

Electrical Shock Hazard

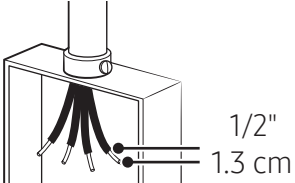
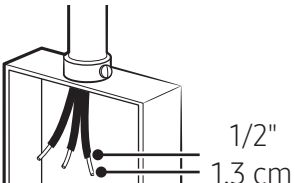
- Disconnect power before servicing.
- Use 8-gauge solid copper wire.
- Ground the oven.
- Failure to follow these instructions can result in fire, electrical shock, or death.

This oven is manufactured with a neutral (white) power-supply wire and a cabinet-connected ground (green or bare) wire twisted together.



1. Disconnect power.
2. Feed the oven's conduit through the opening in the cabinet.
3. Remove the junction-box cover.
4. Install a UL-listed or CSA-approved conduit connector on the junction box.
5. Route the oven conduit through the connector into the junction box.
6. Tighten the conduit connector screws.
7. See the **Electrical Connection Options Chart** to complete installation for your type of electrical connection.

Electrical Connection Options Chart

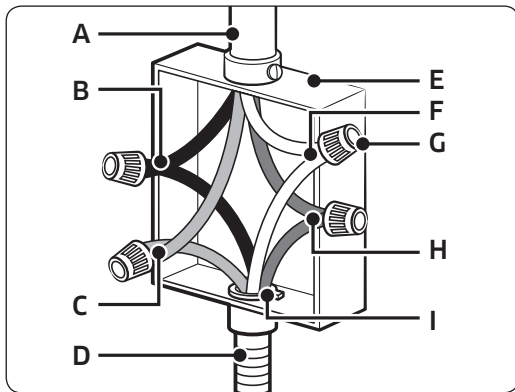
If your home has:	Go to section:
<p>4-wire</p> 	<p>4-Wire Cable from Home Power Supply</p>
<p>3-wire</p> 	<p>3-Wire Cable from Home Power Supply</p>

Installation instructions

4-Wire Cable from Home Power Supply

IMPORTANT: Use the 4-wire cable from home power supply in:

- the US where local codes do not allow grounding through neutral
- New Branch circuit installations (1996 NEC)
- mobile homes and recreational vehicles
- new construction
- Canada.



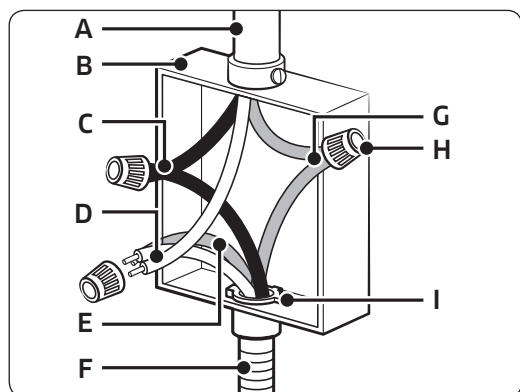
- A. Cable from home power supply
- B. Black wires (normally L1)
- C. Red wires (normally L2)
- D. 4-wire flexible conduit from oven
- E. Junction box
- F. White wires (normally N-neutral)
- G. UL-listed wire connectors
- H. Green wires (normally G-ground)
- I. UL listed or CSA approved conduit connector

NOTE: Connect all wires with UL-listed wire connectors (G).

1. Connect the 2 black wires (B).
2. Connect the 2 red wires (C).
3. Untwist the white wire from the green (or bare) ground wire from the oven.
4. Connect the 2 white wires (F).
5. Connect the green (bare) ground wire (H) from the oven cable to the green (bare) ground wire (in the junction box).
6. Install the junction-box cover.

3-Wire Cable from Home Power Supply - U.S. Only

IMPORTANT: Use the 3-wire cable from home power supply where local codes permit a 3-wire connection.

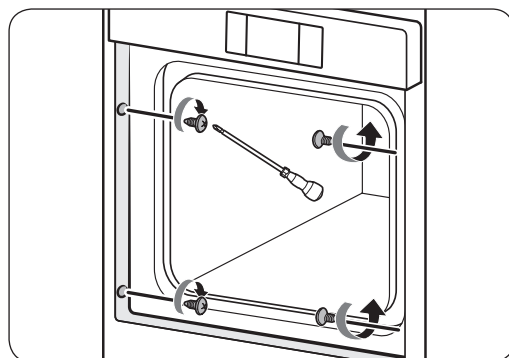
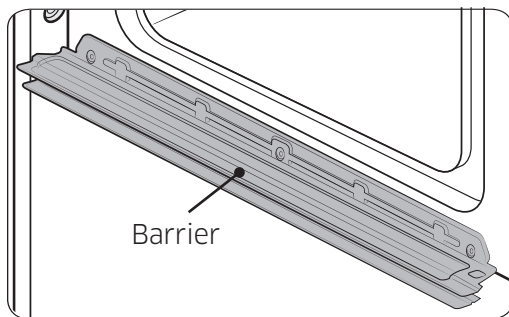
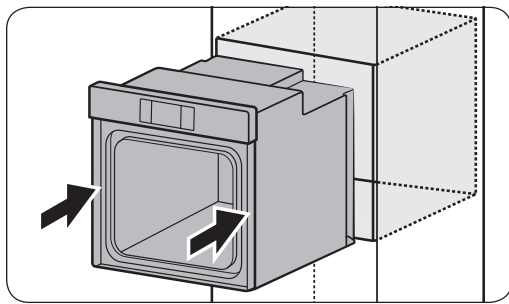
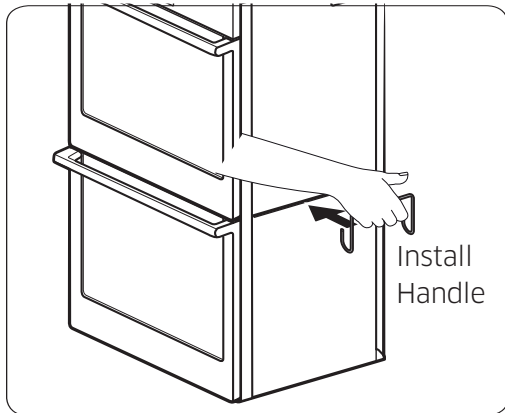


NOTE: Connect all wires with UL-listed wire connectors (H).

1. Connect the 2 black wires (C).
2. Connect the 2 white wires (D) and the oven's green (bare) ground wire.
3. Connect the 2 red wires (G).
4. Install the junction box cover.

- A. Cable from home power supply
- B. Junction box
- C. Black wires (normally L1)
- D. White wires (normally N-neutral)
- E. Green wires (normally G-ground)
- F. 4-wire flexible conduit from oven
- G. Red wires (normally L2)
- H. UL-listed wire connectors
- I. UL-listed or CSA approved conduit connector

Installing the oven



1. Using 2 or more people, lift the oven partially into the cabinet cutout. Hang the install handle on the side of the oven. (See left.)

NOTE

Before the next step, remove the install handle; keep it for future use.

2. Push against the oven's front frame until the back of the frame contacts the cabinet face or cleat*.

*Flush installation


WARNING

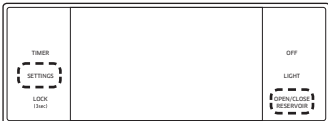
When inserting the oven, take care not to damage the barrier beneath the oven.

3. Center the oven side to side.
4. Remove the tape from the front trims.
5. Through the holes in the trim aligned with the holes in the oven frame, securely fasten the oven to the cabinetry with the supplied screws.

Self-diagnosis

1. After connecting the power, verify that the display works properly.
2. Remove all accessories from the oven chamber.
3. You cannot proceed with self-diagnosis if the oven cavity is hot or the door is open. (In this case, **Hot or door** appears on the display.)
4. To start self-diagnosis, press-hold both "hidden keys" for 5 seconds.
 - See the table below for each model's hidden keys.
 - Self-diagnosis takes 4-5 minutes.

Model	DOB30M977D
Control panel	
Hidden Key	UPPER OVEN + LOWER OVEN

Model	DOB30M977S
Control panel	
Hidden Key	SETTINGS + OPEN/CLOSE RESERVOIR

5. If there is no error, **PASS** appears on the display with an alert sound.
6. If there is an error, one of these codes appears on the display with an alert sound.

Model		DOB30M977**	
		Error code	Remark
Feature	Upper Broil	H-2	Double/Single Oven
	Upper Bake	H-1	
	Lower Broil	H-4	Double Oven Only
	Lower Bake	H-3	

7. Should an error occur, contact Dacor Customer Assurance: (800) 793-0093 x2813.

Notes



DG68-00923A-00

dacor[®]