

30" Induction Cooktop

NZ30M9880

Available Color

Black



Digital-analog controls provide the ultimate interface, choose between a removable magnetic analog-knob or Digi-touch controls.

Virtual Flame™ technology gives the visual of gas cooking and the precision of induction cooking.

Flex Zone automatically adapts to the shape and size of your pots and pans.



Virtual Flame™ Technology



Flex Zone

Features

- Beveled Glass Design
- Cooktop On/Off Monitoring
- 4 Induction Elements – including 4800W Dual Element – 7" /11"
- 8.6 kW Power
- 15 Heat Settings
- Power Boost
- Wi-Fi Connectivity

- Simmer Control
- Melt Mode
- 2-Stage Residual Heat Indicator
- Kitchen Timer
- Child Safety Lock
- Can be installed over a single oven
- ADA Compliant

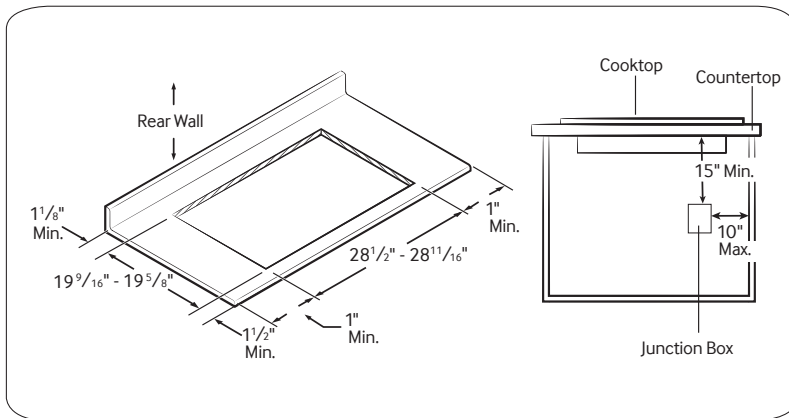


ADA Compliant

30" Induction Cooktop

NZ30M9880

Cut-Out Dimensions of Countertop



Total Power
8.6 kW

Power Source
240V / 60 Hz / 40A

Induction Cooktop

- Left Front: Flex Zone 1800W (Boost 2600W)
- Left Rear: Flex Zone 1800W (Boost 2600W)
- Right Front: 6" (Virtual Flame™) 1400W (Boost 1800W)
- Center: 7/11" (Virtual Flame™) 3600W (Boost 4800W)
- Flex Zone: 7 11/16" x 15 3/4"

Warranty

One (1) Year All Parts and Labor
Five (5) Years Parts Warranty for Glass Cooktop

Product Dimensions & Weight (WxHxD)

Outside (Max) Cooktop Dimensions: 30" x 4" x 21 1/4"

Cooktop Cut-Out Dimensions: 28 1/2" x 4" x 19 9/16"

Weight: 52.4 lbs.

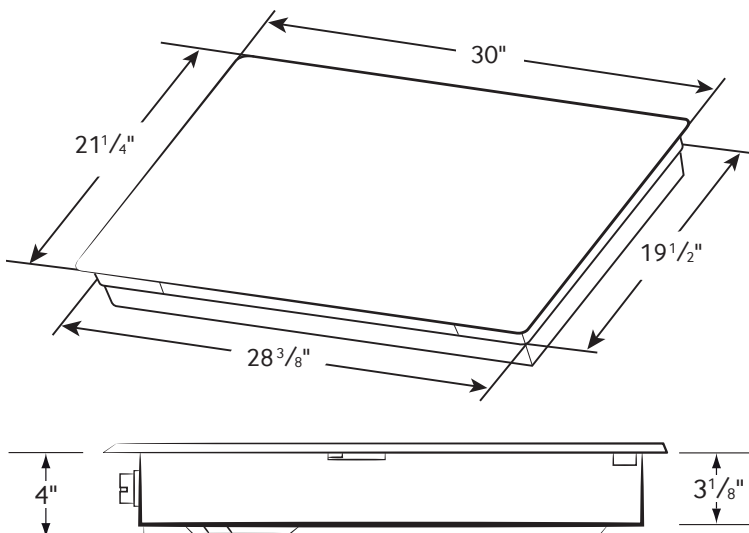
Shipping Dimensions & Weight (WxHxD)

Dimensions: 34" x 7 5/16" x 25"

Weight: 60.0 lbs.

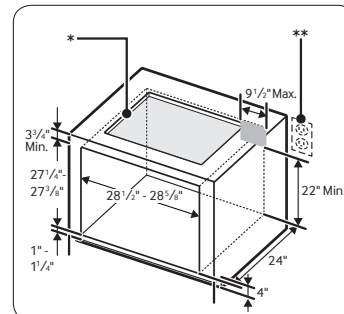
Color	Model #	UPC Code
Black	NZ30M9880UB	887276237077

Cooktop Dimensions



Installing Your Cooktop

Can be installed over a single oven.



- * See built-in oven installation for complete installation instructions. See label on top of approved built-in oven models.
- ** Refer to installation manual of oven.