

36" Induction Cooktop

NZ36M9880

Available Color

Black



Digital-analog controls provide the ultimate interface, choose between a removable magnetic analog-knob or Digi-touch controls.

Virtual Flame™ technology gives the visual of gas cooking and the precision of induction cooking.

Flex Zone automatically adapts to the shape and size of your pots and pans.



Virtual Flame™ Technology



Flex Zone

Features

- Beveled Glass Design
- Cooktop On/Off Monitoring
- 5 Induction Elements – including 4800W Dual Element – 7"/11"
- 10.8 kW Power
- 15 Heat Settings
- Power Boost
- Wi-Fi Connectivity
- Simmer Control
- Melt Mode
- 2-Stage Residual Heat Indicator
- Kitchen Timer
- Child Safety Lock
- Can be installed over a single oven
- ADA Compliant

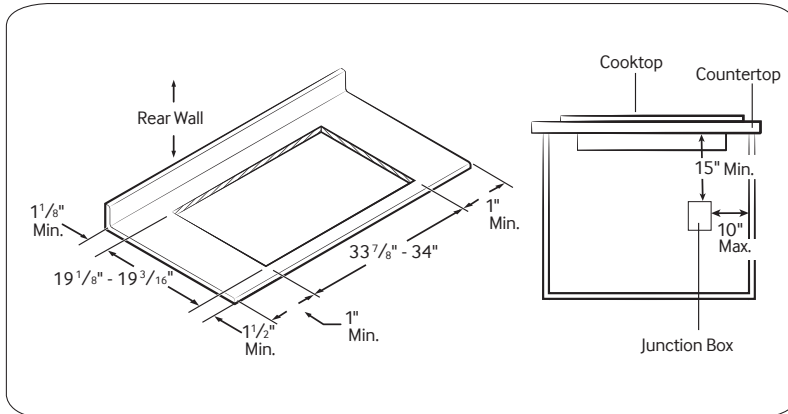


ADA Compliant

36" Induction Cooktop

NZ36M9880

Cut-Out Dimensions of Countertop



Total Power

10.8 kW

Power Source

240V / 60 Hz / 45A

Induction Cooktop

- Left Front: Flex Zone 1800W (Boost 2600W)
- Left Rear: Flex Zone 1800W (Boost 2600W)
- Right Front: 8" (Virtual Flame™) 2200W (Boost 3200W)
- Right Rear: 6" (Virtual Flame™) 1400W (Boost 1800W)
- Center: 7/11" (Virtual Flame™) 3600W (Boost 4800W)
- Flex Zone: 7¹¹/₁₆" x 15³/₄"

Warranty

One (1) Year All Parts and Labor

Five (5) Years Parts Warranty for Glass Cooktop

Product Dimensions & Weight (WxHxD)

Outside (Max) Cooktop Dimensions: 36" x 4" x 21¹/₄"

Cooktop Cut-Out Dimensions: 33⁷/₈" x 4" x 19¹/₈"

Weight: 60.1 lbs.

Shipping Dimensions & Weight (WxHxD)

Dimensions: 40¹/₆" x 7⁵/₁₆" x 25"

Weight: 69.4 lbs.

Color

Black

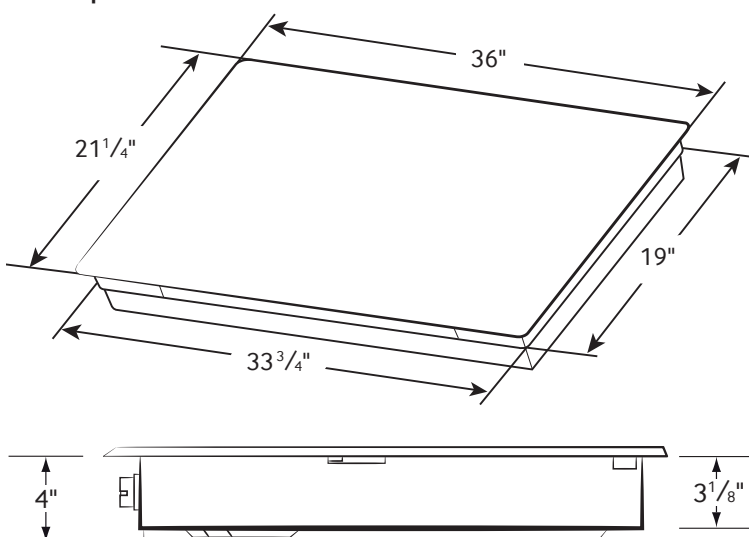
Model

NZ36M9880UB

UPC Code

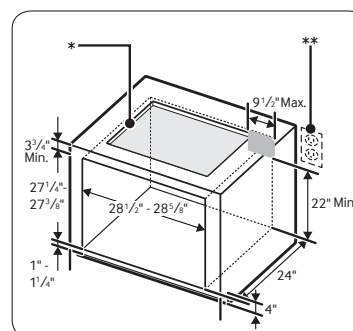
887276237084

Cooktop Dimensions



Installing Your Cooktop

Can be installed over a single oven.



* See built-in oven installation for complete installation instructions. See label on top of approved built-in oven models.

** Refer to installation manual of oven.