

## 30" Range Hood

# NK30M9600

### Available Colors

Matte Black Stainless Steel (shown)  
Stainless Steel



Auto heat-sensing hood automatically adjusts the fan speed based on heat coming from the cooktop.

Bluetooth connects the range\* or cooktop\* to the hood and automatically starts when they turn on.

Dishwasher safe baffle filters help keep the air clean by drawing grease and odor through the hood.

\*When connected with a compatible Samsung range/cooktop



Auto Heat-Sensing



Baffle Filter

## Features

- Optional Performance CFM Conversion up to 600 CFM
- LED Lighting
- Wi-Fi Monitoring
- 4 Fan Speeds including Booster
- Wall Mounted Chimney Style Design
- Digi-Touch Control
- 74 dBA (10.8 sonnes) Noise Level
- Exterior Venting & Recirculating Capable
- Optional Recirculating Kit Available
- Optional Extension Kit Available
- ADA Compliant

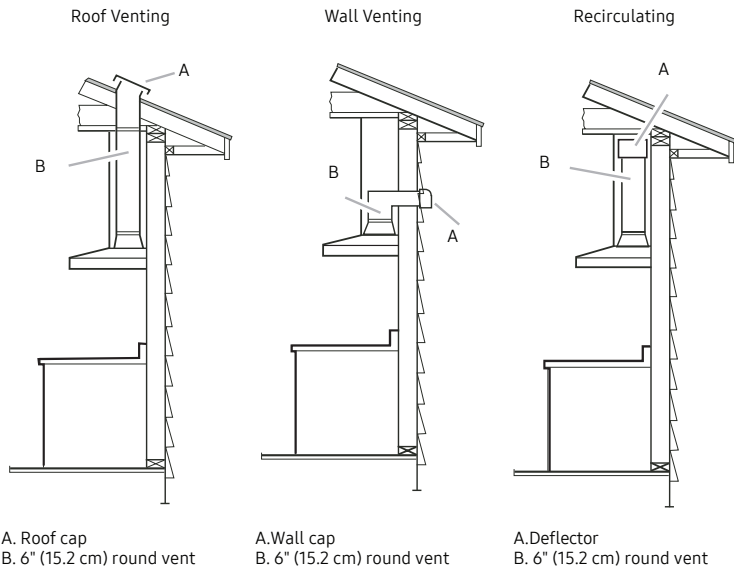


ADA Compliant

## 30" Range Hood

# NK30M9600

### Venting Methods



**Total Power**  
220W

**Power Source**  
120V / 60 Hz / 15A

### Range Hood

- 30" Stainless Steel Chimney Hood
- Auto Heat-Sensing
- Vent Fan: 390 CFM (600 CFM Optional)
- Front-Centered, Touch Control
- 4 Fan Speeds: 3 Step, 1 Booster
- 74 dBA (10.8 sonnes) Noise Level
- Hood Connectivity Control
- Bluetooth On/Off Control
- Mobile Monitoring: Fan Speed, Lighting On/Off, Power Control
- Removable Baffle Filter
- LED Lighting

### Warranty

One (1) Year All Parts and Labor

### Product Dimensions & Weight (WxHxD)

Outside (Max) Hood Dimensions:  
30" x 25<sup>7</sup>/<sub>16</sub>" x 19<sup>11</sup>/<sub>16</sub>"

Weight: 44.1 lbs.

### Shipping Dimensions & Weight (WxHxD)

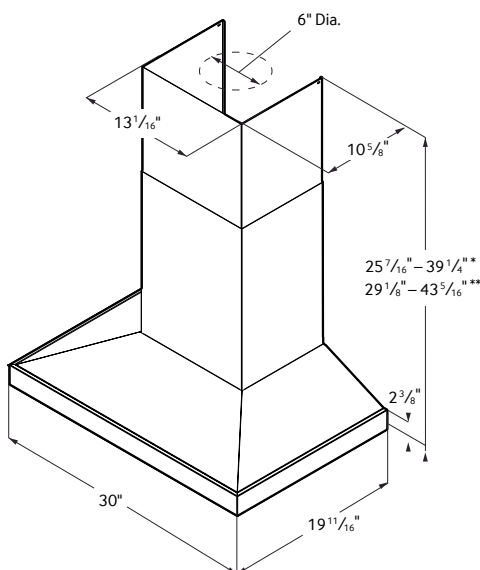
Dimensions:  
34<sup>1</sup>/<sub>4</sub>" x 26<sup>1</sup>/<sub>2</sub>" x 18<sup>1</sup>/<sub>16</sub>"

Weight: 56.7 lbs.

### Dimensions and Clearance

\*For Vented Installation

\*\*For Non-Vented Recirculating Installation



### Color

Stainless Steel

Matte Black

Stainless Steel

### Model #

NK30M9600WS

NK30M9600WM

### UPC Code

887276240435

887276240428

### Hood Extension Kit

NK-AE905LWS

NK-AE905LWM

### Recirculation Kit

NK-AF030FNB

### Charcoal Filter

NK-AR050FNB