



# DVE46BB6700

# SAMSUNG

## Bespoke 7.5 cu. ft. AI Smart Dial Electric Dryer with Super Speed Dry and MultiControl™



### Available Colors

-  **Brushed Navy**  
DVE46BB6700D
-  **Brushed Black**  
DVE46BB6700V

### Features

- Bespoke Design
- Super Speed Dry
- AI Smart Dial
- MultiControl™
- Steam Sanitize+
- ENERGY STAR® Certified
- Shallow Closet-Depth Fit<sup>1</sup>
- Flexible Installation
- Wi-Fi Connectivity<sup>2</sup>
- Sensor Dry
- 7.5 cu. ft. Ultra Capacity
- Vent Sensor
- Lint Filter Indicator
- Premium Tempered Glass Door
- Internal Drum Light
- Reversible Dryer Door
- ADA Compliant<sup>3</sup>
- 19 Total Drying Cycles
- 14 Options
- 5 Temperature Settings
- 4-Way Venting

### Specifications

#### 19 Total Drying Cycles:

Steam Refresh, Wrinkle Away, Steam Sanitize+, Super Speed, Eco Normal, Normal, Heavy Duty, Towels, Permanent Press, Activewear, Bedding, Delicates, Wool, Shirts, Denim, Time Dry, Air Fluff, Small Load, Rack Dry

#### 14 Options:

Damp Alert, Wrinkle Prevent, AntiStatic, My Cycles, Smart Control, Eco Dry, Drum Light, Child Lock, Alarm, AI Pattern, Wi-Fi, Language, Vent Blockage Test, Factory Reset

#### 5 Temperature Settings:

High, Medium, Medium Low, Low, Extra Low

#### 5 Dry Levels:

Very Dry, More Dry, Normal Dry, Less Dry, Damp Dry

#### Warranty

One (1) Year Parts and Labor

#### Product Dimensions & Weight (WxHxD)

Dimensions: 27" x 38<sup>3</sup>/<sub>4</sub>" x 31<sup>5</sup>/<sub>16</sub>"  
Weight: 121.3 lbs

#### Shipping Dimensions & Weight (WxHxD)

Dimensions: 29<sup>3</sup>/<sub>8</sub>" x 42<sup>15</sup>/<sub>16</sub>" x 33<sup>1</sup>/<sub>2</sub>"  
Weight: 130.1 lbs

### Convenience

- Child Lock
- Filter Check Indicator

### Ratings



ENERGY STAR® Rated:  
608 kWh/yr

### Electrical Requirements

240 V / 60 Hz  
30 Amps

Electric Dryer	Model #	UPC Code
Brushed Navy	DVE46BB6700D	887276660035
Brushed Black	DVE46BB6700V	887276660059

Gas Dryer	Model #	UPC Code
Brushed Navy	DVG46BB6700D	887276660141
Brushed Black	DVG46BB6700V	887276660158

Matching Washer	Model #	UPC Code
Brushed Navy	WF46BB6700AD	887276659763
Brushed Black	WF46BB6700AV	887276659770

Optional Accessories	Model #	UPC Code
Brushed Navy Pedestal	WE502ND	887276665276
Brushed Black Pedestal	WE502NV	887276665290
Brushed Black Riser	WE272NV	887276197630
Brushed Navy Bespoke Stacking and MultiControl™ Combo Kit	SKK-9MCD	887276667362
Brushed Black Bespoke Stacking and MultiControl™ Combo Kit	SKK-9MCV	887276667386
Vent Kit	DV-2A	887276146416

<sup>1</sup> Designed to fit a 38" installation depth.

<sup>2</sup> Requires wireless network, Samsung account and SmartThings App. The Samsung SmartThings App supports Android OS 4.0 (ICS) or later which is optimized for Samsung smartphones (Galaxy S and Galaxy Note series). This app also supports iOS 7 or later for iPhone models. SmartThings App available in App Store and Play Store. Only monitoring enabled on Gas Dryers for safety reasons.

<sup>3</sup> ADA Compliant when using 27" wide riser. (Riser model codes: WE272NV, WE272NW, WE272NC)

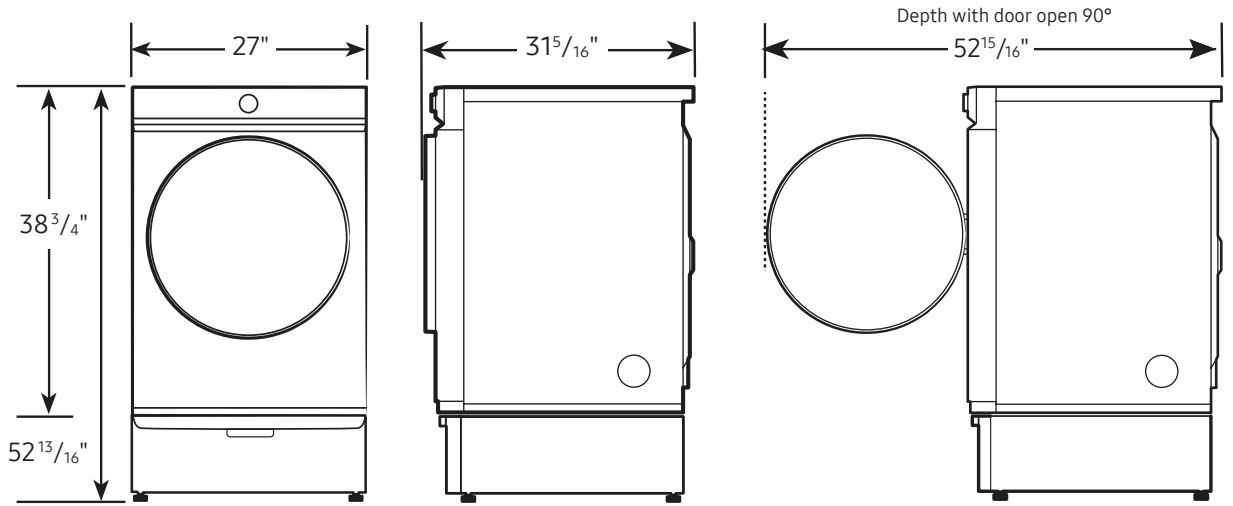
DVE46BB6700

SAMSUNG

Bespoke 7.5 cu. ft. AI Smart Dial Electric Dryer with Super Speed Dry and MultiControl™

Dimensions

Required dimensions for installation with pedestal:

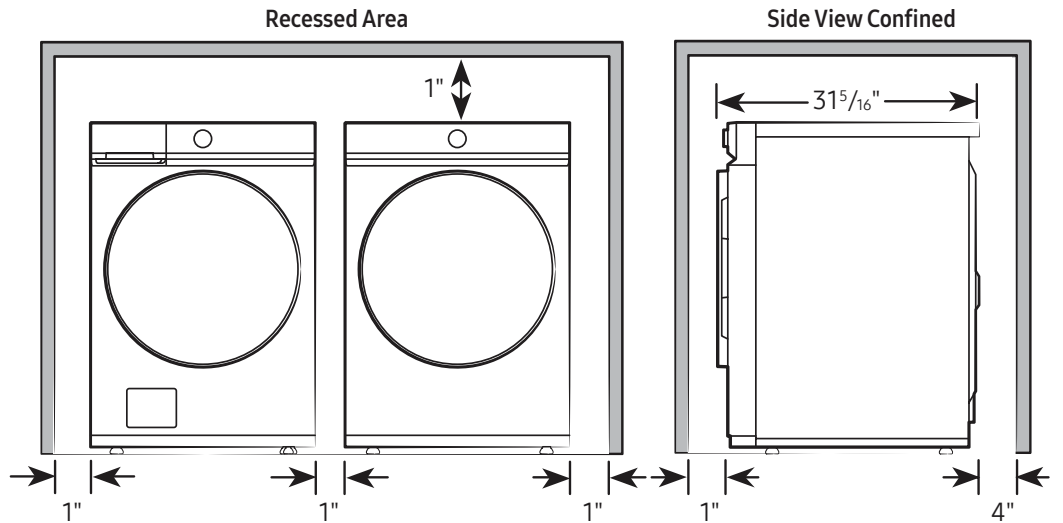


Installation Specifications – Side-by-Side

If the washer and dryer are installed together or the dryer alone, the closet front must have two unobstructed air openings for a combined minimum total area of 72-inch<sup>2</sup>. Your washer alone does not require a specific air opening.

Alcove or closet installation

Minimum clearance for closet and alcove installations:



Connection Dimensions

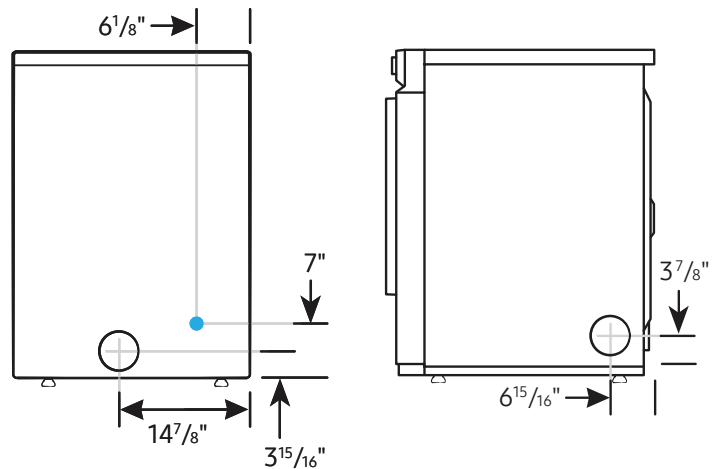
Back and side view of dryer

LEGEND:

● Cold Water Connection

Actual color may vary. Design, specifications, and color availability are subject to change without notice. Non-metric weights and measurements are approximate.

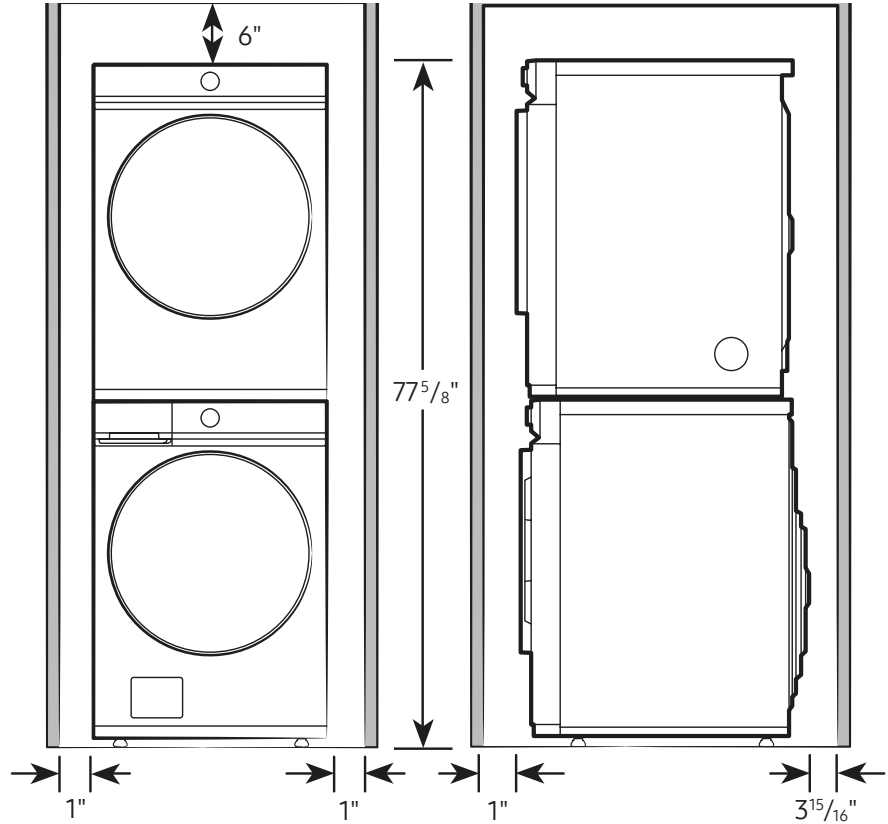
©2022 Samsung Electronics America, Inc., 85 Challenger Road, Ridgefield Park, NJ 07660. Tel: 800-SAMSUNG.samsung.com. Samsung is a registered trademark of Samsung Electronics Co., Ltd.



Bespoke 7.5 cu. ft. AI Smart Dial Electric Dryer with Super Speed Dry and MultiControl™

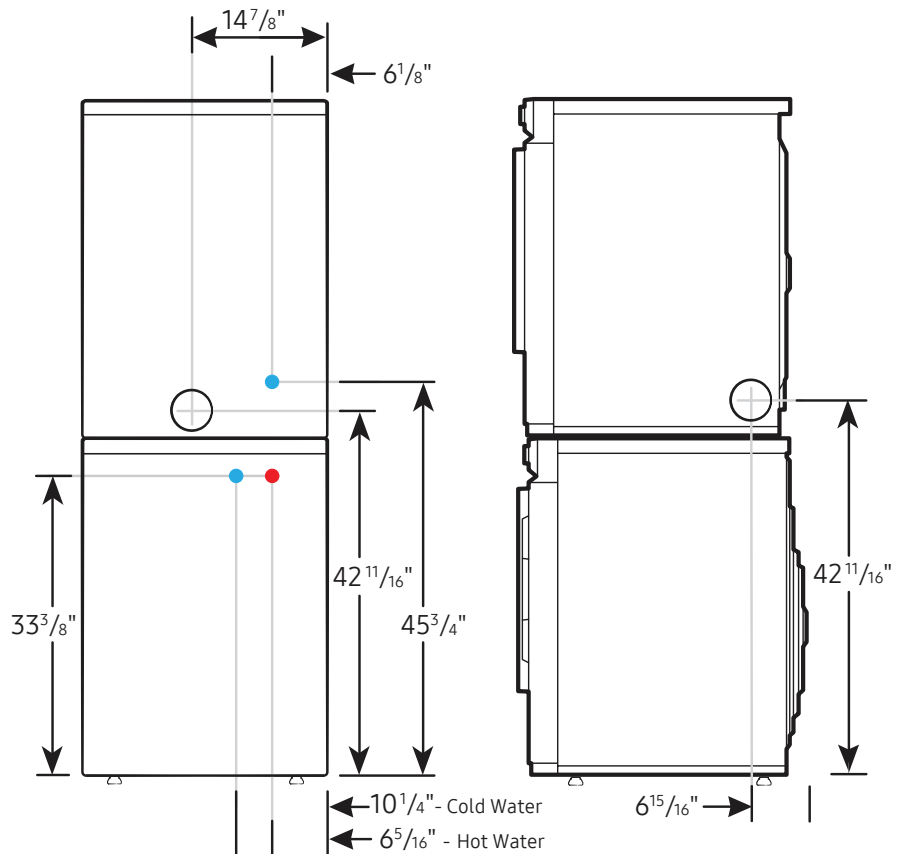
**Installation Specifications – Stacked Pair**

Clearances indicated are for stacked pairs. The closet front must have two unobstructed air openings for a combined minimum total area of 72-inch<sup>2</sup>.



**Connection Dimensions**

Back and side views of stacked pair



- LEGEND:**
- Cold Water Connection
  - Hot Water Connection

Actual color may vary. Design, specifications, and color availability are subject to change without notice. Non-metric weights and measurements are approximate.