

DV56H9100EV

SAMSUNG

Samsung Front-Load Electric Dryer

9.5 cu. ft. Capacity DOE



Signature Features

Large 9.5 cu. ft. Capacity

- Gets more laundry done in less time.

Multi-Steam Technology

- Steam away wrinkles, odors, bacteria and static.

Vent Sensor

- Detects duct blockages and reminds you to clean your vent.

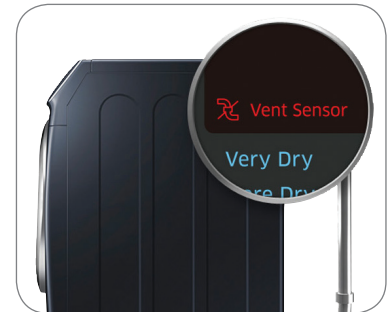
Available Color



Fingerprint Resistant
Black Stainless Steel



Multi-Steam Technology



Vent Sensor

Features

- Vent Sensor
- Smart Care
- Multi-Steam Technology
- Stainless Steel Drum
- Eco Dry Technology
- 15 Preset Dry Cycles
- 12 Options
- 5 Temperature Settings
- 4-Way Venting
- Dual Heaters
- Dryer Rack
- Reversible See-Through Door

Convenience

- Dryer Drum Light
- Child Lock
- My Cycle Option
- Filter Check Indicator

Rating

618 kWh/yr

DV56H9100EV

SAMSUNG

Samsung Front-Load Electric Dryer

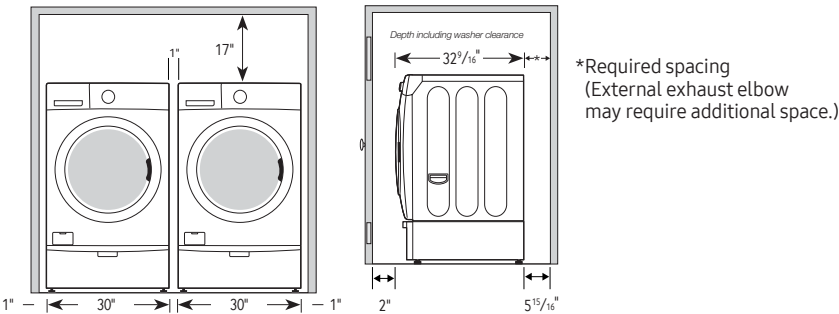
9.5 cu. ft. Capacity DOE

Installation Specifications

If the washer and dryer are installed together or the dryer alone, the closet front must have two unobstructed air openings for a combined minimum total area of 72-inch² (see stacked build below). Your washer alone does not require a specific air opening.

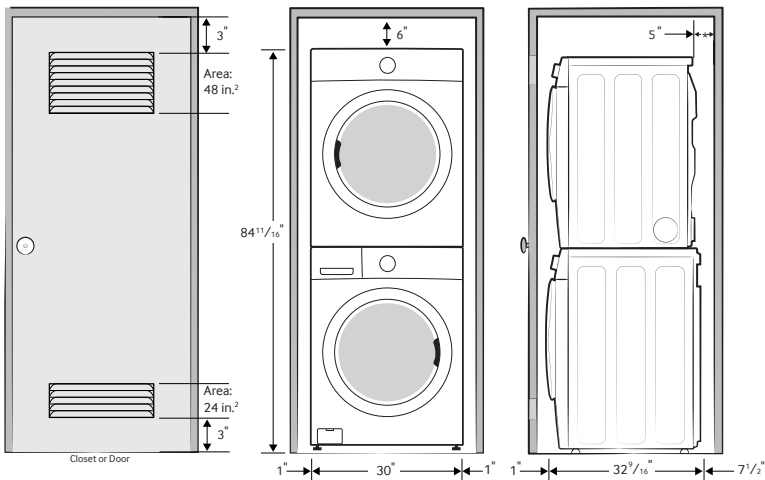
1. Alcove or closet installation

Minimum Clearance for Closet and Alcove Installations:



Required Dimensions for Installation With Pedestal (Model No: WE302NV)

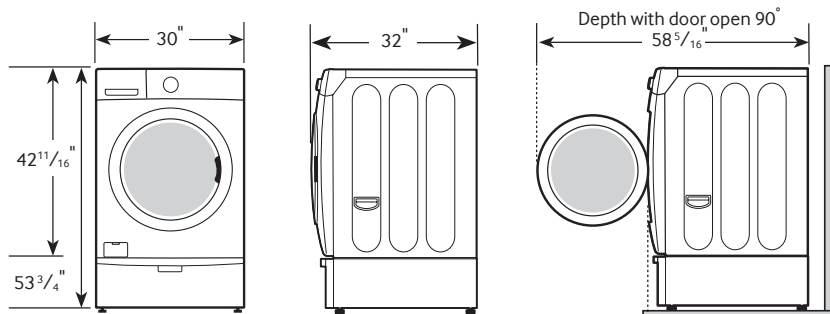
2. With stacked washer and dryer



Required Dimensions for Installation With Stacking Kit (Model No: SKK-BB)

Dimensions

Required Dimensions for Installation with Pedestal:



4-Way Venting

15 Preset Dry Cycles:

Refresh, Wrinkle Away, Eco Normal, Normal, Heavy Duty, Towels, Permanent Press, Active Wear, Bedding, Delicates, Wool, Sanitize, Time Dry, Air Fluff, Quick Dry

12 Options:

Mixed Load Bell, Wrinkle Prevent, Anti-Static, My Cycle, Rack Dry, Adjust Time (Up), Adjust Time (Down), Eco Dry, Child Lock, Smart Care, Sound, Drum Light

5 Temperature Settings:

High, Medium, Medium Low, Low, Extra Low

5 Dry Levels:

Very Dry, More Dry, Normal Dry, Less Dry, Damp Dry

Warranty

One (1) Year Parts and Labor

Product Dimensions & Weight (WxHxD)

Dimensions: 30" x 42^{11/16}" x 32"

Weight: 159 lbs

Shipping Dimensions & Weight (WxHxD)

Dimensions: 31^{15/16}" x 46^{5/16}" x 33^{5/8}"

Weight: 170 lbs

Electric

Fingerprint Resistant
Black Stainless Steel

Model

DV56H9100EV

UPC Code

887276293714

Gas

Fingerprint Resistant
Black Stainless Steel

DV56H9100GV

887276296586

Matching Washer

Fingerprint Resistant
Black Stainless Steel

WF56H9100AV

887276293738