

# DV42H5000GW

SAMSUNG

## Samsung Front-Load Gas Dryer

7.5 cu. ft. Capacity DOE



### Signature Features

#### Smart Care

- Smart Care interacts with your dryer to perform an immediate diagnosis and offer quick solutions.

#### Sensor Dry

- Optimizes cycle time and temperature to dry clothes thoroughly, while preventing heat damage.

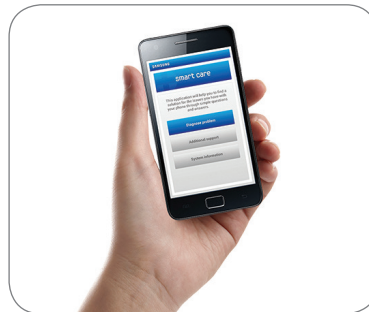
#### 9 Preset Drying Cycles

- Covers almost any drying need for your active family.

### Available Color



White



Smart Care



Sensor Dry

### Features

- Smart Care
- Sensor Dry
- 9 Preset Drying Cycles
- 10 Options
- 4 Temperature Settings
- 3-Way Venting
- Dryer Drum Light
- Reversible See-Through Door

### Convenience

- Child Lock
- My Cycle Option
- Filter Check Indicator

# DV42H5000GW

# SAMSUNG

## Samsung Front-Load Gas Dryer

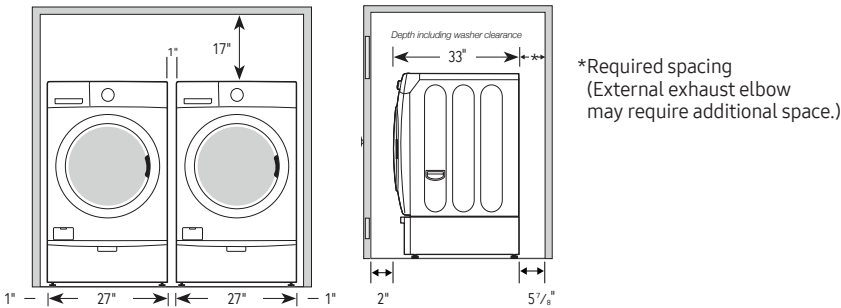
7.5 cu. ft. Capacity DOE

### Installation Specifications

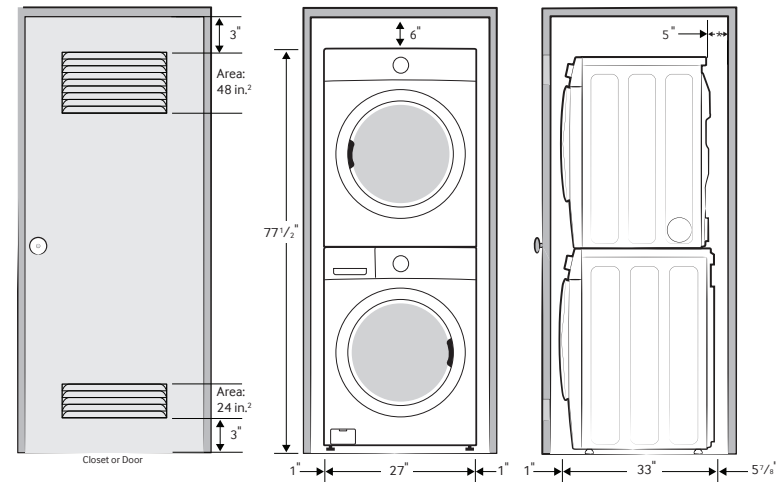
If the washer and dryer are installed together or the dryer alone, the closet front must have two unobstructed air openings for a combined minimum total area of 72-inch<sup>2</sup> (see stacked build below). Your washer alone does not require a specific air opening.

#### 1. Alcove or closet installation

Minimum Clearance for Closet and Alcove Installations:



#### 2. With stacked washer and dryer



### 3-Way Venting

#### 9 Preset Dry Cycles:

Normal, Heavy Duty, Permanent Press, Bedding, Delicates, Time Dry, Air Fluff, Quick Dry, Wrinkle Release

#### 10 Options:

Mixed Load Bell, Wrinkle Prevent, Small Load Care, My Cycle, Adjust Time (Up), Adjust Time (Down), Sound, Child Lock, Smart Care, Drum Light

#### 4 Temperature Settings:

High, Medium, Low, Extra Low

#### 4 Dry Levels:

Very Dry, More Dry, Normal Dry, Damp Dry

### Warranty

One (1) Year Parts and Labor

### Product Dimensions & Weight (WxHxD)

Dimensions: 27" x 38<sup>3</sup>/<sub>4</sub>" x 32<sup>7</sup>/<sub>16</sub>"

Weight: 126 lbs

### Shipping Dimensions & Weight (WxHxD)

Dimensions: 29<sup>3</sup>/<sub>8</sub>" x 42<sup>3</sup>/<sub>8</sub>" x 33<sup>1</sup>/<sub>2</sub>"

Weight: 134 lbs

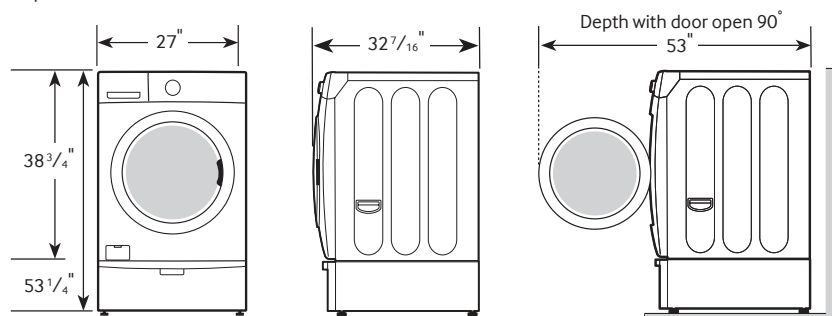
Gas	Model #	UPC Code
White	DV42H5000GW	887276963174

Electric	Model #	UPC Code
White	DV42H5000EW	887276963167

Matching Washer	Model #	UPC Code
White	WF42H5000AW	887276962887

### Dimensions

Required Dimensions for Installation with Pedestal:



Actual color may vary. Design, specifications, and color availability are subject to change without notice. Non-metric weights and measurements are approximate.

©2018 Samsung Electronics America, Inc. 85 Challenger Road, Ridgefield Park, NJ 07660. Tel: 800-SAMSUNG. samsung.com. Samsung is a registered trademark of Samsung Electronics Co. Ltd.