

# DVG45N5300V

SAMSUNG

## Samsung Front-Load Gas Dryer

7.5 cu. ft. Capacity DOE



### Signature Features

#### Multi-Steam Technology

- Steam away wrinkles, odors, bacteria, and static.

#### Sensor Dry

- Optimizes cycle time and temperature to dry clothes thoroughly, while preventing heat damage.

#### Smart Care

- Smart Care interacts with your washer and dryer to perform an immediate diagnosis and offer quick solutions.

### Available Colors



Black Stainless Steel (shown)



White



Multi-Steam Technology



Sensor Dry

### Features

- Multi-Steam Technology
- Sensor Dry
- Smart Care
- 10 Preset Dry Cycles
- 12 Options
- 4 Temperature Settings
- Interior Drum Light
- 7.5 cu. ft. Capacity
- LED Display: Ice Blue
- Chrome Door
- Wrinkle Prevent Option
- 3-Way Venting
- Powder Coat Interior

### Convenience

- Child Lock
- My Cycle Option
- Filter Check Indicator

# DVG45N5300V

# SAMSUNG

## Samsung Front-Load Gas Dryer

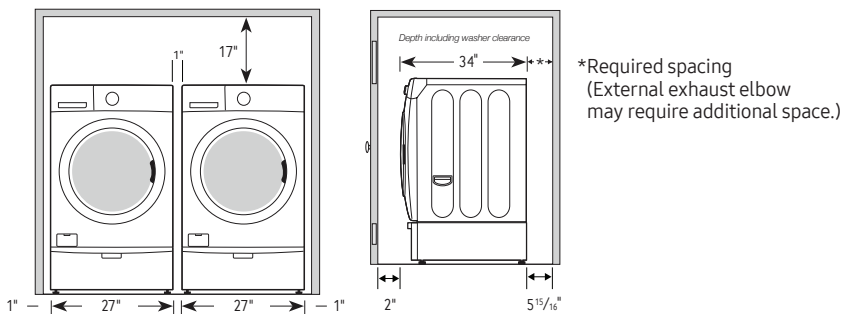
7.5 cu. ft. Capacity DOE

### Installation Specifications

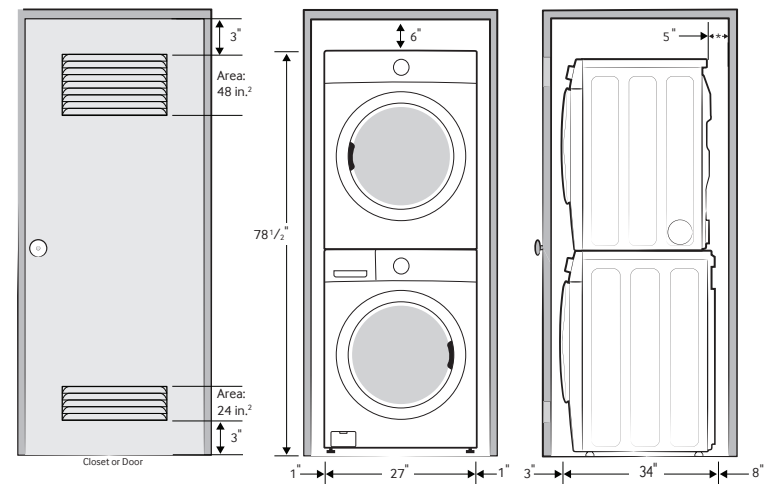
If the washer and dryer are installed together or the dryer alone, the closet front must have two unobstructed air openings for a combined minimum total area of 72-inch<sup>2</sup> (see stacked build below). Your washer alone does not require a specific air opening.

#### 1. Alcove or closet installation

Minimum Clearance for Closet and Alcove Installations:

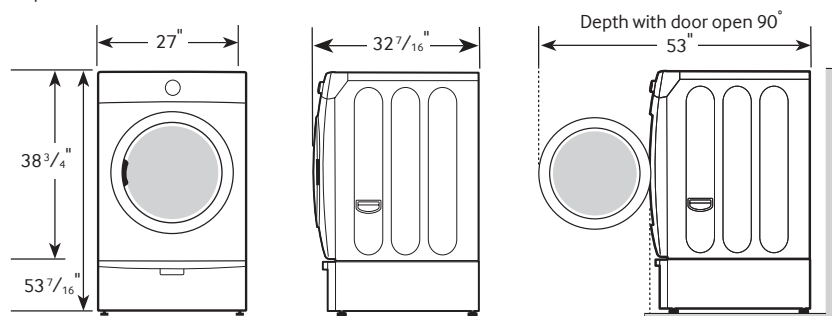


#### 2. With stacked washer and dryer



### Dimensions

Required Dimensions for Installation with Pedestal:



#### 3-Way Venting

#### 10 Preset Dry Cycles:

Refresh, Wrinkle Away, Normal, Heavy Duty, Permanent Press, Bedding, Delicates, Sanitize, Time Dry, Quick Dry

#### 12 Options:

Mixed Load Bell, Wrinkle Prevent, Anti-Static, Small Load Care, My Cycle, Adjust Time (Up), Adjust Time (Down), Eco Dry, Sound Off, Child Lock, Smart Care, Drum Light

#### 4 Temperature Settings:

High, Medium, Low, Extra Low

#### 4 Dry Levels:

Very Dry, More Dry, Normal Dry, Damp Dry

#### Warranty

One (1) Year Parts and Labor

#### Product Dimensions & Weight (WxHxD)

Dimensions: 27" x 38<sup>3</sup>/<sub>4</sub>" x 32<sup>7</sup>/<sub>16</sub>"

Weight: 126 lbs

#### Shipping Dimensions & Weight (WxHxD)

Dimensions: 29<sup>3</sup>/<sub>8</sub>" x 42<sup>3</sup>/<sub>8</sub>" x 33<sup>1</sup>/<sub>2</sub>"

Weight: 134 lbs

Gas	Model #	UPC Code
Black Stainless Steel	DVG45N5300V	887276256191
White	DVG45N5300W	887276256207

Electric	Model #	UPC Code
Black Stainless Steel	DVE45N5300V	887276256160
White	DVE45N5300W	887276256177

#### Matching Washer

Black Stainless Steel	WF45N5300AV	887276252421
White	WF45N5300AW	887276250953