

DVG45R6100C

SAMSUNG

Samsung Front Load Gas Dryer with Steam Sanitize+

7.5 cu. ft. Capacity DOE



Signature Features

Steam Sanitize+

- The Steam Sanitize+ cycle removes 99.9% of germs and bacteria, over 95% of pollen, and kills 100% of dust mites¹. Multi-Steam Technology steams away wrinkles, odors, and static.

Sensor Dry

- Automatically optimizes the time and temperature of your drying cycle to protect your clothes from heat damage, while avoiding excess energy use.

Smart Care

- Easy troubleshooting from the convenience of your smartphone². Smart Care interacts with your washer and dryer to perform an immediate diagnosis and offer quick solutions.

Available Colors



Champagne (shown)



White



Steam Sanitize+



Sensor Dry

Features

- Steam Sanitize+
- Sensor Dry
- Smart Care
- Interior Drum Light
- 10 Preset Drying Cycles
- 9 Additional Drying Options
- 5 Temperature Levels
- 3-Way Venting
- Reversible Tinted Door
- LED Display: Ice Blue

Convenience

- Child Lock
- Lint Filter Indicator



ADA Compliant³

¹Based on internal testing and independently verified by Intertek. Individual results may vary.

²Requires Samsung Smart Washer/Dryer App. The Samsung Smart Washer/Dryer app supports Android OS 2.3.6 or later and iOS 3 or later for iPhone models. Smart Washer/Dryer app available in App Store and Play Store.

³ADA Compliant when using a Samsung 27" wide riser (WE272NV or WE272NW).

DVG45R6100C

SAMSUNG

Samsung Front Load Gas Dryer with Steam Sanitize+

7.5 cu. ft. Capacity DOE

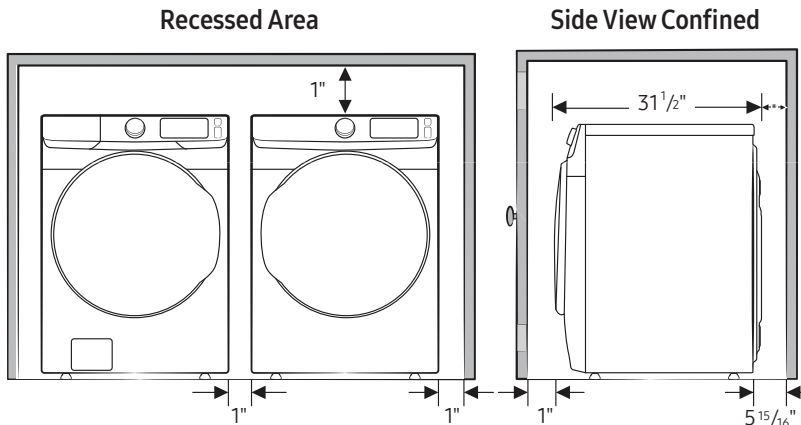
Installation Specifications

If the washer and dryer are installed together or the dryer alone, the closet front must have two unobstructed air openings for a combined minimum total area of 72-inch² (see stacked build below). Your washer alone does not require a specific air opening.

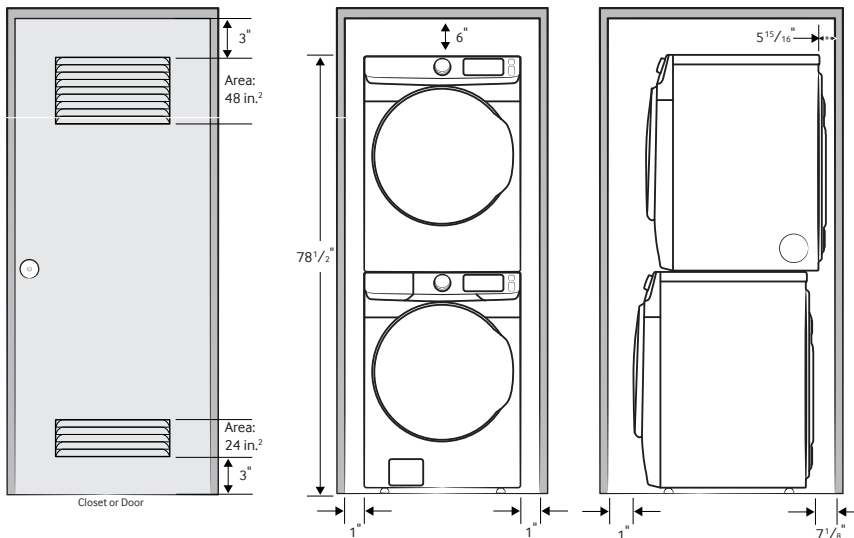
*Required spacing (External exhaust elbow may require additional space.)

1. Alcove or closet installation

Minimum Clearance for Closet and Alcove Installations:

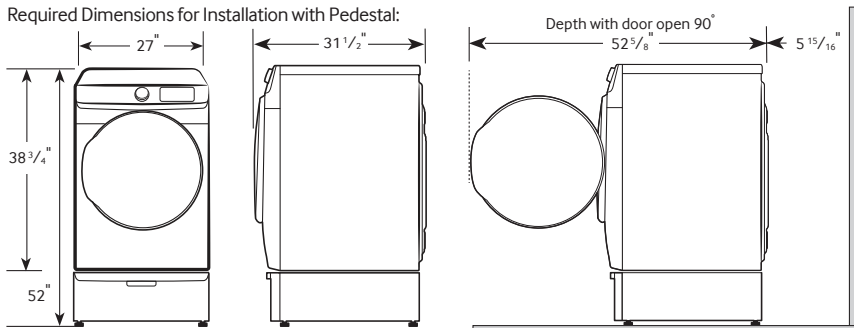


2. With stacked washer and dryer



Dimensions

Required Dimensions for Installation with Pedestal:



3-Way Venting

10 Preset Drying Cycles:

Refresh, Steam Sanitize+, Normal, Heavy Duty, Permanent Press, Bedding, Delicates, Time Dry, Air Fluff, Quick Dry

9 Additional Drying Options:

Damp Alert, Wrinkle Prevent, Adjust Time (Up), Adjust Time (Down), Eco Dry, Child Lock, Smart Care, Alarm Off, Drum Light

5 Temperature Levels:

High, Medium High, Medium, Medium Low, Low

5 Dry Levels:

More Dry, Normal-More Dry, Normal Dry, Normal-Less Dry, Less Dry

Warranty

One (1) Year Parts and Labor

Product Dimensions & Weight (WxHxD)

Dimensions: 27" x 38 3/4" x 31 1/2"

Weight: 123 lbs

Shipping Dimensions & Weight (WxHxD)

Dimensions: 29 3/8" x 42 9/16" x 33 1/2"

Weight: 130 lbs

Gas	Model #	UPC Code
Champagne	DVG45R6100C	887276305271
White	DVG45R6100W	887276300498

Electric	Model #	UPC Code
Champagne	DVE45R6100C	887276305943
White	DVE45R6100W	887276300450

Matching Washer

Champagne	WF45R6100AC	887276305295
White	WF45R6100AW	887276299471

Pedestal

Champagne	WE402NC	887276310121
White	WE402NW	887276310152

Accessories

Stacking Kit	SKK-8K	887276344034
Vent Kit	DV-2A	887276146416

Actual color may vary. Design, specifications, and color availability are subject to change without notice. Non-metric weights and measurements are approximate.

©2019 Samsung Electronics America, Inc. 85 Challenger Road, Ridgefield Park, NJ 07660. Tel: 800-SAMSUNG. samsung.com. Samsung is a registered trademark of Samsung Electronics Co. Ltd.