

# DV22N6850HX

SAMSUNG

Samsung 24" Front-Load Ventless Heat Pump Wi-Fi Capable Dryer  
4.0 cu. ft. Capacity DOE



## Signature Features

### Q-rator

- Choose clothing type, color and soil level, and the dryer cycle is auto-configured for optimal performance.

### Sensor Dry

- Optimizes cycle time and temperature to dry clothes thoroughly, while preventing heat damage.

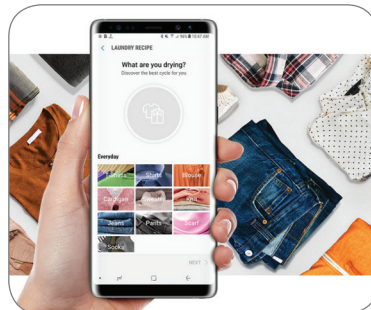
### ENERGY STAR® Certified

- Proven to save energy without sacrificing performance or functionality.

## Available Color



Inox Grey



Q-rator



Sensor Dry

## Features

- 24" Wide – Fits in the tightest quarters
- 14 Preset Drying Cycles
- 9 Options
- 3 Drying Levels
- Interior Drum Light
- Ice Blue LED Display
- Crystal Blue Door
- 40 Minute Express Cycle
- Wrinkle Prevent Option
- Stainless Steel Drum
- Reversible Door

## Convenience

- Child Lock
- Filter Check Indicator
- Heat Exchanger Filter Check Indicator
- Waste Water Tank Indicator
- Smart Control

## Rating



ENERGY STAR®-rated  
145 kWh/yr

# DV22N6850HX

# SAMSUNG

## Samsung 24" Front-Load Ventless Heat Pump Wi-Fi Capable Dryer

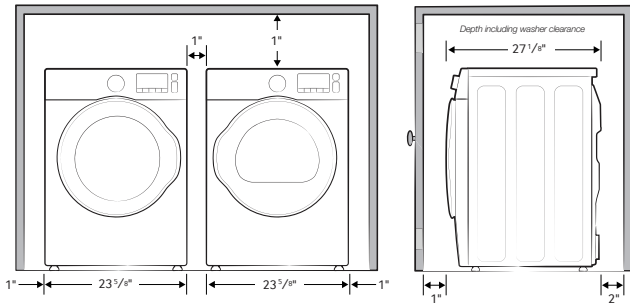
4.0 cu. ft. Capacity DOE

### Installation Specifications

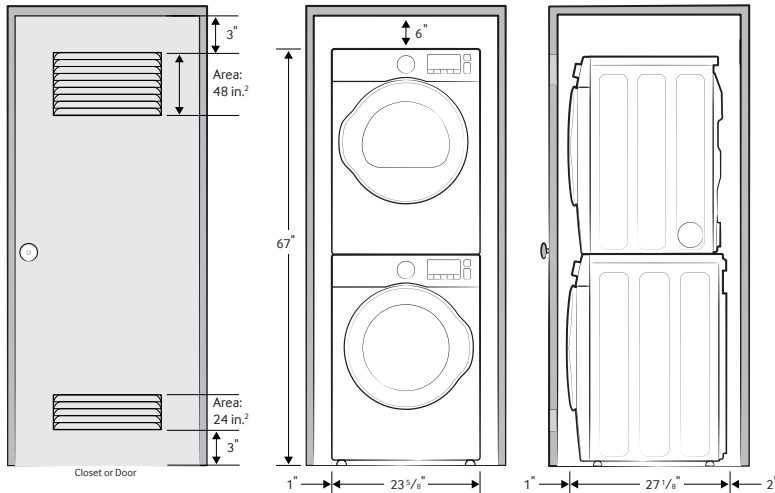
If the washer and dryer are installed together or the dryer alone, the closet front must have two unobstructed air openings for a combined minimum total area of 72-inch<sup>2</sup> (see stacked build below). Your washer alone does not require a specific air opening.

#### 1. Alcove or closet installation

Minimum Clearance for Closet and Alcove Installations:

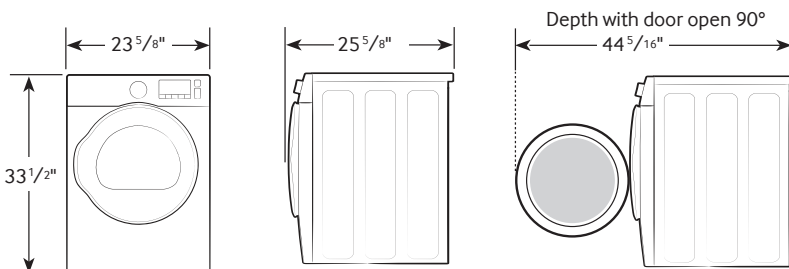


#### 2. With stacked washer and dryer



### Dimensions

Required Dimensions for Installation with Pedestal:



4.0 cu. ft. Capacity DOE

#### 14 Preset Dry Cycles:

Normal, Heavy Duty, Mixed Load, Towels, Permanent Press, Active Wear, Delicates, Wool, Shirts, Small Load, Time Dry, Air Fluff, 40' Express, Refresh

#### 9 Options:

Mixed Load Bell, Wrinkle Prevent, My Cycle, Adjust Time, Smart Control, Sound Off, Child Lock, Smart Care, Drum Light

#### 3 Dry Levels:

More Dry, Normal Dry, Less Dry

#### Warranty

One (1) Year Parts and Labor

#### Product Dimensions & Weight (WxHxD)

Dimensions: 23<sup>5</sup>/<sub>8</sub>" x 33<sup>1</sup>/<sub>2</sub>" x 25<sup>5</sup>/<sub>8</sub>"  
Weight: 110 lbs

#### Shipping Dimensions & Weight (WxHxD)

Dimensions: 26<sup>1</sup>/<sub>4</sub>" x 35" x 27<sup>3</sup>/<sub>8</sub>"  
Weight: 121 lbs

#### Electric

Inox Grey

#### Model #

DV22N6850HX

#### UPC Code

887276291376

#### Matching Washer

Inox Grey

WW22N6850QX

887276261652

#### Optional Stacking Kit

Sold separately SK-DH

887276151052