

DVE45B6300W | DVE45B6300C | DVE45B6300P

SAMSUNG

**Samsung 7.5 cu. ft. Smart Electric Dryer
with Steam Sanitize+**



Available Colors

-  **White**
DVE45B6300W
-  **Champagne**
DVE45B6300C
-  **Platinum**
DVE45B6300P

Features

- Wi-Fi Connectivity¹
- Steam Sanitize+
- Sensor Dry
- Scratch-Resistant Tempered Glass Door
- Interior Drum Light
- Reversible Door
- Large 7.5 cu. ft. Capacity
- Lint Filter Indicator
- ADA Compliant²
- Accessibility (AUI, Braille)
- 21 Total Drying Cycles
- 10 Options
- 5 Temperature Settings
- 4-Way Venting

Specifications

21 Total Drying Cycles:

Refresh, Steam Sanitize+, Normal, Heavy Duty, Permanent Press, Activewear, Bedding, Delicates, Time Dry, Air Fluff, Quick Dry, Downloaded, Wrinkle Away, Eco Normal, Towels, Wool, Sanitize, Shirts, Denim, Low Temp, Rack Dry

10 Options:

Damp Alert, Wrinkle Prevent, Smart Control, Adjust Time (Up), Adjust Time (Down), Eco Dry, Sound, Drum Light, Smart Care, Child Lock

5 Temperature Settings:

High, Medium High, Medium, Medium Low, Low

5 Dry Levels:

More Dry, Normal-More Dry, Normal Dry, Normal-Less Dry, Less Dry

Warranty

One (1) Year Parts and Labor

Product Dimensions & Weight (WxHxD)

Dimensions: 27" x 38³/₄" x 31⁵/₁₆"

Weight: 116.8 lbs

Shipping Dimensions & Weight (WxHxD)

Dimensions: 29³/₈" x 42⁹/₁₆" x 33¹/₂"

Weight: 123.5 lbs

Convenience

- Child Lock
- Filter Check Indicator

Ratings

644 kWh/yr

Electrical Requirements

240 V / 60 Hz

30 Amps

Electric Dryer	Model #	UPC Code
White	DVE45B6300W	887276628035
Champagne	DVE45B6300C	887276628004
Platinum	DVE45B6300P	887276628011

Gas Dryer	Model #	UPC Code
White	DVG45B6300W	887276628073
Champagne	DVG45B6300C	887276628042
Platinum	DVG45B6300P	887276628059

Matching Washer	Model #	UPC Code
White	WF45B6300AW	887276627434
Champagne	WF45B6300AC	887276627403
Platinum	WF45B6300AP	887276627410

Optional Accessories	Model #	UPC Code
White Pedestal	WE402NW	887276310152
Champagne Pedestal	WE402NC	887276310121
Platinum Pedestal	WE402NP	887276310138
White Riser	WE272NW	887276197647
Champagne Riser	WE272NC	887276393940
Stacking Kit	SKK-8K	887276344034
Vent Kit	DV-2A	887276146416

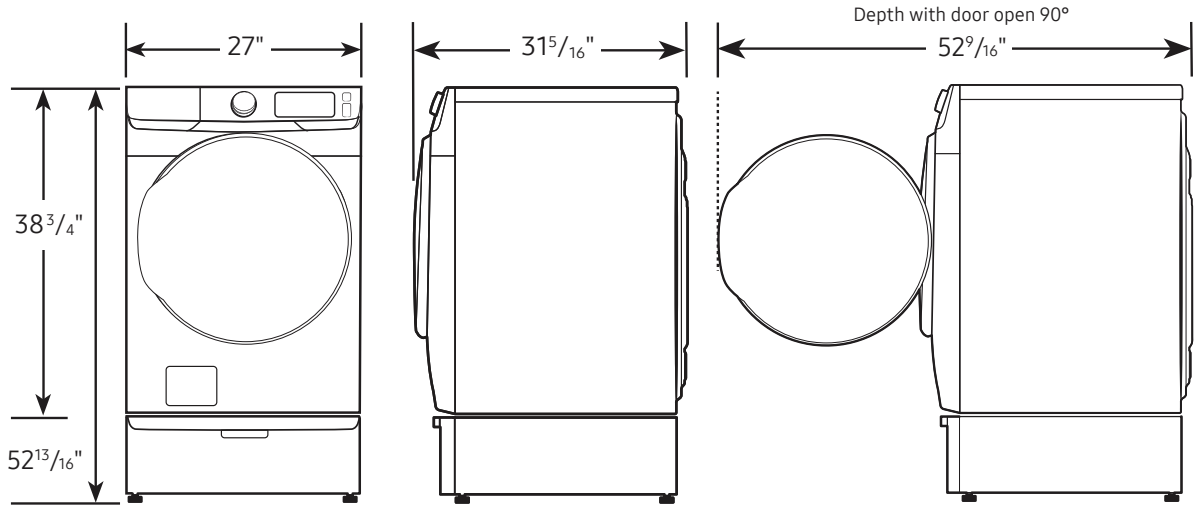
¹Requires wireless network, Samsung account and SmartThings App. The Samsung SmartThings App supports Android OS 4.0 (ICS) or later which is optimized for Samsung smartphones (Galaxy S and Galaxy Note series). This app also supports iOS 7 or later for iPhone models. SmartThings App available in App Store and Play Store. Only monitoring enabled on Gas Dryers for safety reasons.

²ADA Compliant when using 27" wide riser. (Riser model codes: WE272NW, WE272NC)

Samsung 7.5 cu. ft. Smart Electric Dryer
with Steam Sanitize+

Dimensions

Required dimensions for installation with pedestal:

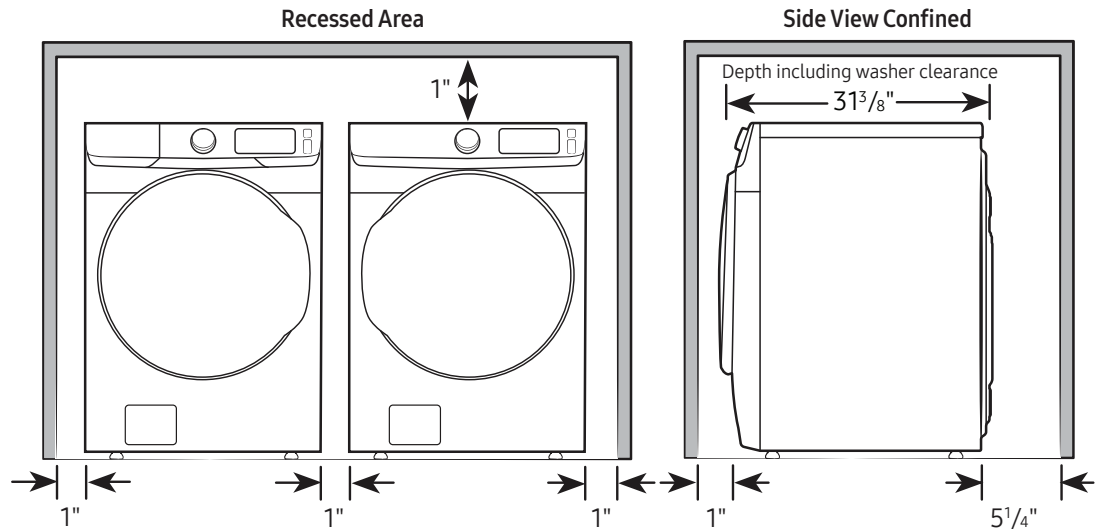


Installation Specifications – Side-by-Side

If the washer and dryer are installed together or the dryer alone, the closet front must have two unobstructed air openings for a combined minimum total area of 72-inch². Your washer alone does not require a specific air opening.

Alcove or closet installation

Minimum clearance for closet and alcove installations:



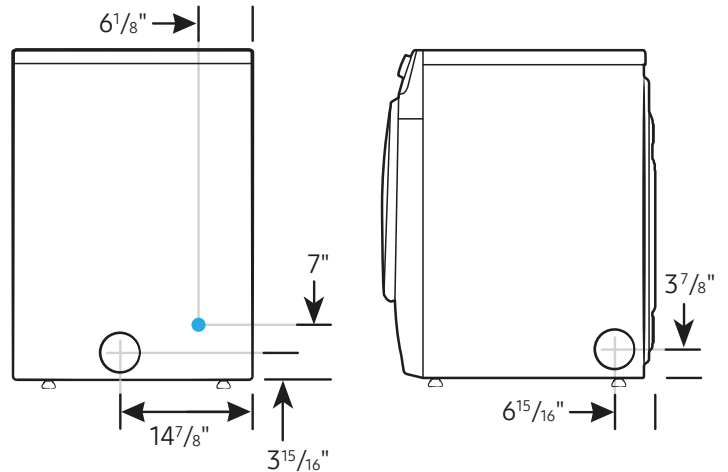
Connection Dimensions

Back and side view of dryer

LEGEND:
● Cold Water Connection

Actual color may vary. Design, specifications, and color availability are subject to change without notice. Non-metric weights and measurements are approximate.

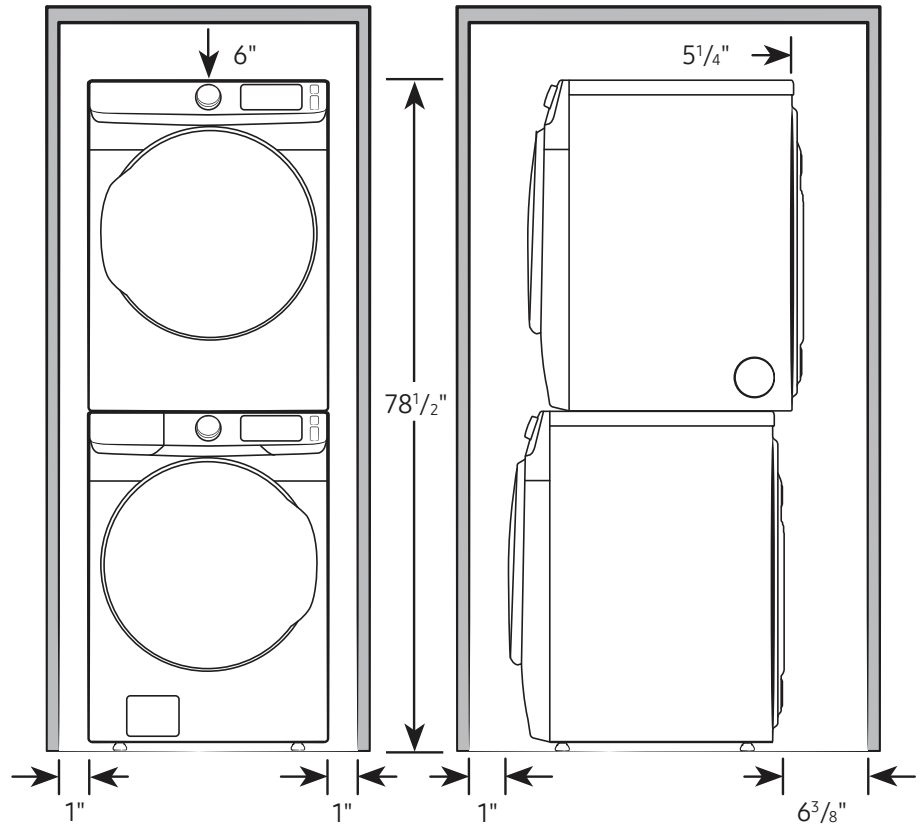
©2022 Samsung Electronics America, Inc., 85 Challenger Road, Ridgefield Park, NJ 07660. Tel: 800-SAMSUNG.samsung.com. Samsung is a registered trademark of Samsung Electronics Co., Ltd.



Samsung 7.5 cu. ft. Smart Electric Dryer
with Steam Sanitize+

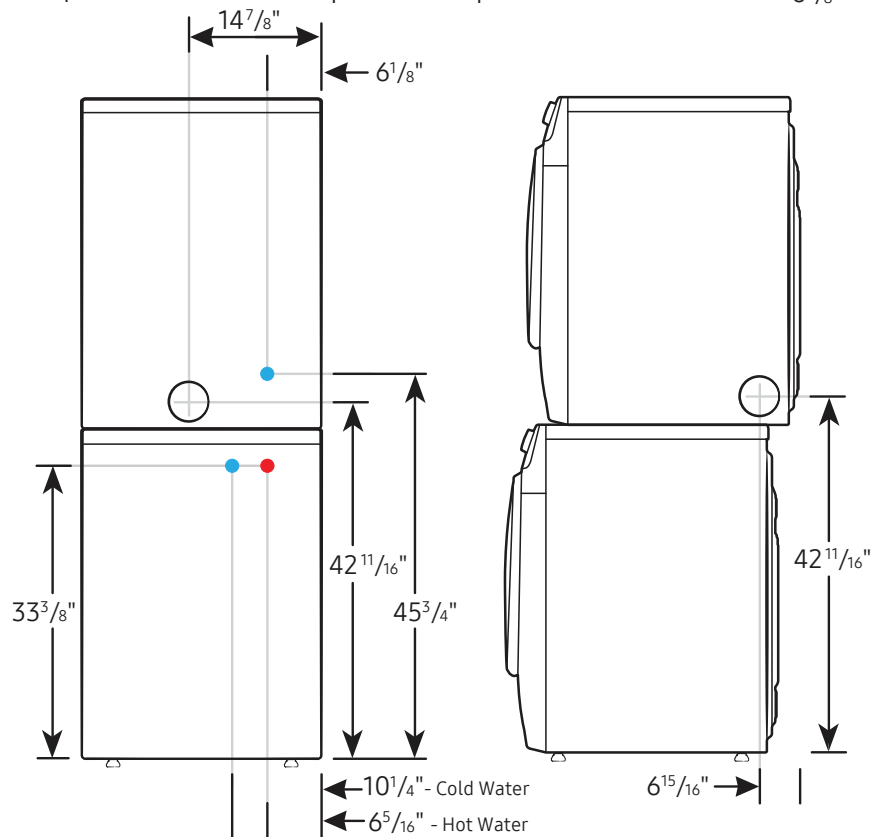
Installation Specifications – Stacked Pair

Clearances indicated are for stacked pairs. The closet front must have two unobstructed air openings for a combined minimum total area of 72-inch².



Connection Dimensions

Back and side views of stacked pair



- LEGEND:**
- Cold Water Connection
 - Hot Water Connection

Actual color may vary. Design, specifications, and color availability are subject to change without notice. Non-metric weights and measurements are approximate.

©2022 Samsung Electronics America, Inc., 85 Challenger Road, Ridgefield Park, NJ 07660. Tel: 800-SAMSUNG.samsung.com. Samsung is a registered trademark of Samsung Electronics Co., Ltd.