

MC17J8000CS

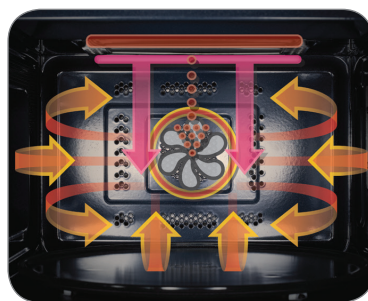
1.7 cu. ft. Over-the-Range Microwave

Features

- Convection
- Slim Fry™
- Ceramic Enamel Interior
- 1.7 cu. ft. Oven Capacity
- 3-Speed/300 CFM Ventilation System
- Cooking Preset
- Eco Mode (Reduces Standby Power)
- Turntable On/Off
- 10 Power Levels
- Two-Stage Programmable Cooking
- Auto Cook
- Auto Defrost
- Microwave Distribution Mechanism: Turntable
- Charcoal/Grease Vent Filter
- Steam Clean

Convenience

- Clock (12hr/24hr) with Daylight Savings Time Adjustment
- Kitchen Timer
- End Signal
- Interior Light: Halogen (1)
- Cooktop Lighting (Incandescent): High/Low/Off
- Vent Fan Control: High/Middle/Low/Off
- Child Safety Lock
- Sound On/Off



Convection Cooking



Slim Fry™

Available Color



Stainless Steel



Black Stainless

Signature Features

CONVECTION

- Enjoy the flexibility to microwave, bake, broil and roast – all from one appliance. With the combination of convection cooking and microwave heating, food cooks faster and more evenly than a traditional microwave.

SLIM FRY™

- Prepare great-tasting, healthier foods without added oil.
- Prepare fried food with reduced fat.*

*Compared to deep fry cooking method

CERAMIC ENAMEL INTERIOR

- Scratch-resistant and easy-to-clean interior.
- Effortlessly remove grease or oil from surfaces and protect against scratches that occur from daily use.

1.7 CU. FT. CAPACITY

- The 1.7 cu. ft. capacity of this microwave accommodates a variety of snacks and meal items and lets you prepare foods quickly and easily.



Ranked **“Highest in Customer Satisfaction with Over the Range Microwaves.”***

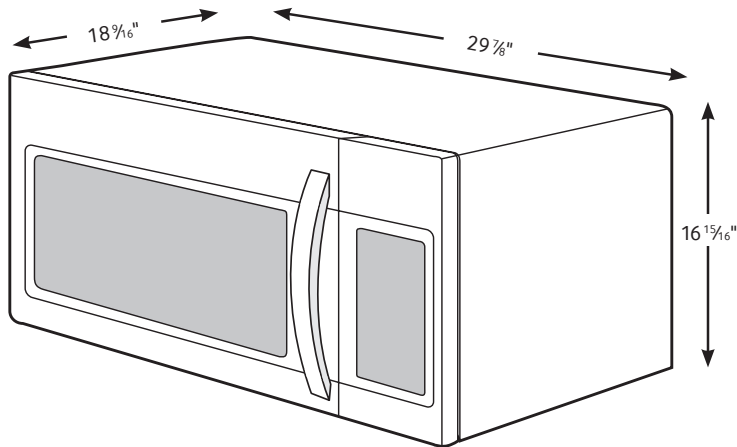
—J.D. Power

SAMSUNG

MC17J8000CS

1.7 cu. ft. Over-the-Range Microwave

Dimensions



Installing Your Microwave

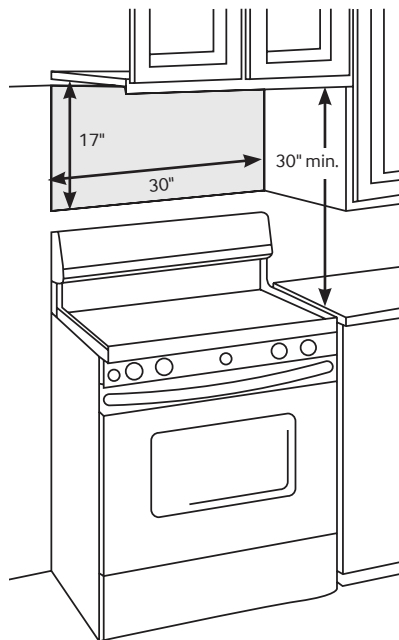
• This microwave oven is designed for adaptation to the following three types of ventilation:

- A. Outside Top Exhaust (Vertical Duct)
- B. Recirculating (Non-Vented Ductless)
- C. Outside Back Exhaust (Horizontal Duct)

• The space between the cabinets must be 30" wide and free of obstructions.

• This microwave oven is for installation over ranges up to 36" wide.

• The microwave must be level. Use a level to make sure the cabinet bottom is level. If the cabinets have a front overhang only, with no back or side frame, install the mounting plate down the same distance as the front overhang depth. This will keep the microwave level.



FOR EASIER INSTALLATION AND PERSONAL SAFETY, WE RECOMMEND THAT TWO PEOPLE INSTALL THIS MICROWAVE OVEN. IMPORTANT: Do not grip or use handle during installation.

NOTE: If your cabinet is metal, use the nylon grommet around the power-cord hole to prevent cutting of the cord.

NOTE: We recommend using filler blocks if the cabinet front hangs below the cabinets bottom shelf.

IMPORTANT: If filler blocks are not used, case damage may occur from over-tightening screws.

NOTE: When mounting the microwave oven, thread power cord through hole in bottom of top cabinet. Do not pinch cord or lift oven by pulling cord.

Specifications

- Oven Cavity: 1.7 cu. ft.
- Power Output:
 - Microwave: 950W
 - Convection: 1790W
- Power Consumption: 1700W/14.2A
- Power Source: 120V/60Hz
- Control Method: Digital (Membrane Touch)
- Display: LED
- Cooking Control: 10 Power Levels including Defrost
- Cooking Timer: Digital, up to 99 Minutes, 99 Seconds
- Microwave Distribution Mechanism: Turntable
- Glass Turntable Diameter: 13 9/16"
- Vent Fan: 3-Speed/300 CFM
- Vent Fan Control: High/Middle/Low/Off
- Cooktop Lighting: High/Low/Off

Warranty

One (1) Year All Parts and Labor
Ten (10) Years Parts on Magnetron

Product Dimensions & Weight (WxHxD)

Cavity Dimensions:
20 1/8" x 10 5/16" x 14"

Outside Net Dimensions:
29 7/8" x 16 15/16" x 18 9/16"

Weight: 74.4 lbs.

Shipping Dimensions & Weight (WxHxD)

Dimensions:
33 3/8" x 20 13/16" x 19 3/8"

Weight: 85.8 lbs.

Color

Stainless Steel
Black Stainless Steel

Model

MC17J8000CS
MC17J8000CG

UPC Code

887276063928
887276184302

SAMSUNG

*Samsung received the highest numerical score for over the range microwaves in the proprietary J.D. Power 2014 Kitchen Appliance StudySM. Study based on 15,380 total responses measuring 15 over the range microwave brands and measures opinions of consumers about their new appliance purchased in the past 24 months. Proprietary study results are based on experiences and perceptions of consumers surveyed in January-March 2014. Your experiences may vary. Visit jdpower.com.

Actual color may vary. Design, specifications, and color availability are subject to change without notice. Non-metric weights and measurements are approximate.

©2015 Samsung Electronics America, Inc. 85 Challenger Road, Ridgefield Park, NJ 07660. Tel: 800-SAMSUNG. samsung.com. Samsung is a registered trademark of Samsung Electronics Co. Ltd.