

ME21K7010DG

SAMSUNG

2.1 cu. ft. Over-the-Range Microwave with PowerGrill™ and Ceramic Enamel Interior



Signature Features

PowerGrill™

- Goes beyond just heating to toast, crisp, and brown your favorite food.
- PowerGrill™ delivers 1500W of cooking power through its direct grilling element.

Ceramic Enamel Interior

- Scratch-resistant and easy-to-clean interior.
- Makes removing grease or oil effortless and protects against scratches from daily use.

Glass-Touch Bottom Controls

- Premium Glass-Touch Controls.
- Seamless design and easy access controls

Available Colors



Fingerprint Resistant
Stainless Steel



Fingerprint Resistant
Black Stainless Steel (shown)



PowerGrill™



Ceramic Enamel Interior

Features

- PowerGrill™
- Ceramic Enamel Interior
- Glass-Touch Bottom Controls
- LED Cooktop Lights
- Sensor Cook
- Grilling Plate with Rack
- Simple Clean Filter
- 2.1 cu. ft. Capacity
- 4-Speed/400 CFM Ventilation System
- Cooking Presets
- Eco Mode
- Turntable On/Off
- Hidden Vent

Convenience

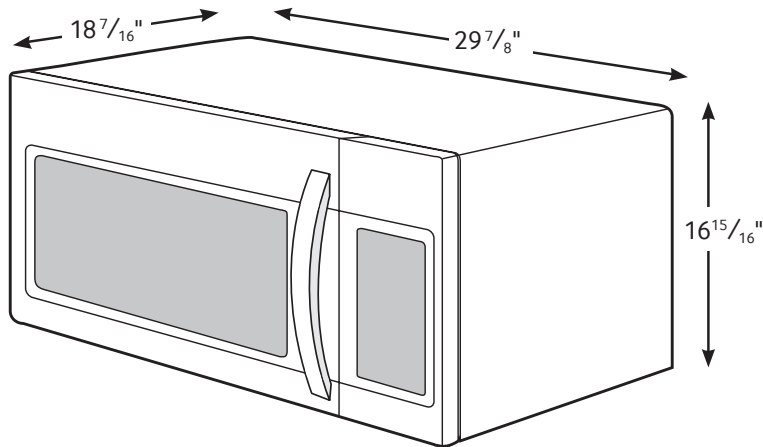
- Kitchen Timer
- Clock (12 hr/24 hr) with Daylight Saving Time Adjustment
- Child Safety Lock
- Reminder End Signal
- Auto Night-Light

ME21K7010DG

SAMSUNG

2.1 cu. ft. Over-the-Range Microwave with PowerGrill™ and Ceramic Enamel Interior

Dimensions



Specifications

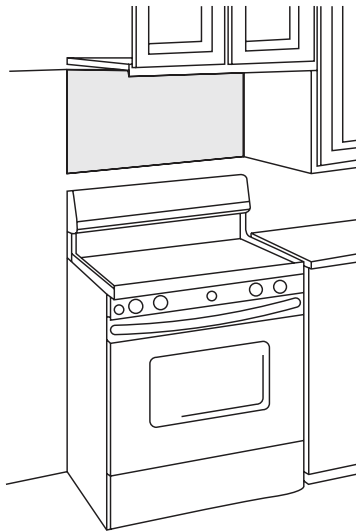
- Oven Cavity: 2.1 cu. ft.
- Power Output:
 - Microwave: 1000W
 - PowerGrill™: 1500W
- Power Consumption: 1700W/14.5 A
- Power Source: 120V/60 Hz
- Control Method: Glass-Touch Bottom Control
- Display: LED
- Cooking Control: 10 Power Levels Including Defrost
- Cooking Timer: Digital, up to 99 Minutes, 99 Seconds
- Microwave Distribution System: Turntable
- Glass Turntable Diameter: 14 3/16"
- Vent Fan: 400 CFM
- Vent Fan Control: On/Off
- Cooktop Lighting: High/Low/Off

Warranty

One (1) Year All Parts and Labor
Ten (10) Years Parts on Magnatron

Installing Your Microwave

- This microwave oven is designed for adaptation to the following three types of ventilation:
 - A. Outside Top Exhaust (Vertical Duct)
 - B. Recirculating (Non-Vented Ductless)
 - C. Outside Back Exhaust (Horizontal Duct)
- The space between the cabinets must be 30" wide and free of obstructions.
- This microwave oven is for installation over ranges up to 36" wide.
- The microwave must be level. Use a level to make sure the cabinet bottom is level. If the cabinets have a front overhang only, with no back or side frame, install the mounting plate down the same distance as the front overhang depth. This will keep the microwave level.



Product Dimensions & Weight (WxHxD)

Cavity Dimensions: 22 1/8" x 10 13/16" x 14 7/8"
Outside Net Dimensions: 29 7/8" x 16 15/16" x 18 7/16"
Weight: 59.1 lbs.

Shipping Dimensions & Weight (WxHxD)

Dimensions: 33 3/8" x 20 13/16" x 19 3/8"
Weight: 69.4 lbs.

Color

Fingerprint Resistant
Stainless Steel

Model

ME21K7010DS

UPC Code

887276215303

Fingerprint Resistant
Black Stainless Steel

ME21K7010DG

887276147000

FOR EASIER INSTALLATION AND PERSONAL SAFETY, WE RECOMMEND THAT TWO PEOPLE INSTALL THIS MICROWAVE OVEN. IMPORTANT: Do not grip or use handle during installation.

NOTE: If your cabinet is metal, use the nylon grommet around the power cord hole to prevent cutting of the cord.

NOTE: We recommend using filler blocks if the cabinet front hangs below the cabinet bottom shelf.

IMPORTANT: If filler blocks are not used, case damage may occur from overtightening screws.

NOTE: When mounting the microwave oven, thread power cord through hole in bottom of top cabinet. Do not pinch cord or lift oven by pulling cord.