

WF50A8800AV

SAMSUNG

Samsung 5.0 cu. ft. Extra-Large Capacity Smart Dial Front Load Washer with OptiWash™



Features

- AI Powered Smart Dial
- OptiWash™
- MultiControl™
- Flexible Installation
- Auto Dispense System
- Super Speed Wash
- Extra-Large 5.0 cu. ft. Capacity
- Wi-Fi Connectivity¹
- CleanGuard™
- Steam
- ENERGY STAR® Most Efficient
- Vibration Reduction Technology+
- Swirl+ Drum Interior
- Self Clean+
- ADA Compliant²
- Direct Drive Motor
- 1200 RPM Maximum Spin Speed
- Internal Water Heater
- 25 Total Washing Cycles
- 18 Additional Options

Convenience

- Child Lock
- Dispenser Trays: Main Wash, Bleach, Auto Detergent, Auto Softener

Ratings



ENERGY STAR®-rated
CEE Tier 3
IMEF = 3.10
IWF = 2.9
100 kWh/yr

Electrical Requirements

120V / 60 H
15 Amps

25 Preset Washing Cycles:

Normal, Heavy Duty, Bedding, Permanent Press, Delicates, Activewear, Wool, Towels, Eco Cold, Rinse + Spin, Self Clean+, Small Load, Colors, Power Rinse, Spin Only, OptiWash™, Outdoor, Denim, Super Speed, Steam Sanitize, Steam Allergen, Steam Normal, Power Steam, Steam Whites, Steam Bulky

18 Additional Options:

Presoak, Extra Rinse, My Cycle, Delay End, Smart Control, Super Speed, Drum Light, Dose per Wash, Dose per Rinse, Child Lock, Detergent Concentration Level, Softener Concentration Level, AI Pattern, Alarm, Calibration, Wi-Fi, Language, Factory Reset

5 Temperature Settings:

Extra Hot, Hot, Warm, Cool, Cold

5 Spin Settings:

Extra High, High, Medium, Low, Extra Low

5 Soil Settings:

Heavy, Heavy Medium, Normal, Low Medium, Light

Warranty

One (1) Year Parts and Labor
Three (3) Years Stainless Steel Drum (Part Only)
Ten (10) Years DD Motor (Part Only)

Product Dimensions & Weight (WxHxD)

Dimensions: 27" x 38³/₄" x 33¹/₂"

Weight: 218 lbs

Shipping Dimensions & Weight (WxHxD)

Dimensions: 29³/₈" x 42³/₈" x 35³/₈"

Weight: 223 lbs

¹Requires wireless network, Samsung account and Samsung SmartThings App. The Samsung Smart Things App supports Android OS 4.0 (ICS) or later which is optimized for Samsung smartphones (Galaxy S and Galaxy Note series). This app also supports iOS 7 or later for iPhone models. Samsung SmartThings App available in App Store and Play Store.

²ADA Compliant when using 27" wide riser. (Riser model codes: WE272NV, WE272NW, WE272NC)

Available Color



Brushed Black

Washer	Model #	UPC Code
Brushed Black	WF50A8800AV	887276519012

Matching Electric Dryer

Brushed Black	DVE50A8800V	887276517735
---------------	-------------	--------------

Matching Gas Dryer

Brushed Black	DVG50A8800V	887276521565
---------------	-------------	--------------

Optional Accessories

Pedestal	WE402NV	887276310145
Riser	WE272NV	887276197630
MultiControl™	DV-MCK	887276528953
Stacking Kit	SKK-8K	887276344034

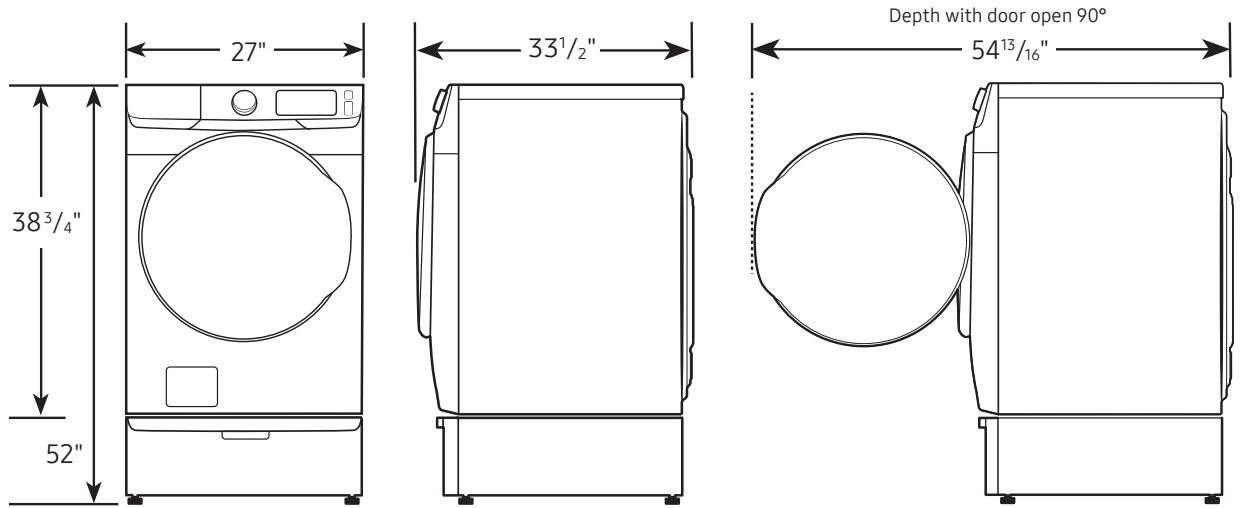
WF50A8800AV

SAMSUNG

Samsung 5.0 cu. ft. Extra-Large Capacity Smart Dial Front Load Washer with OptiWash™

Dimensions

Required dimensions for installation with pedestal:

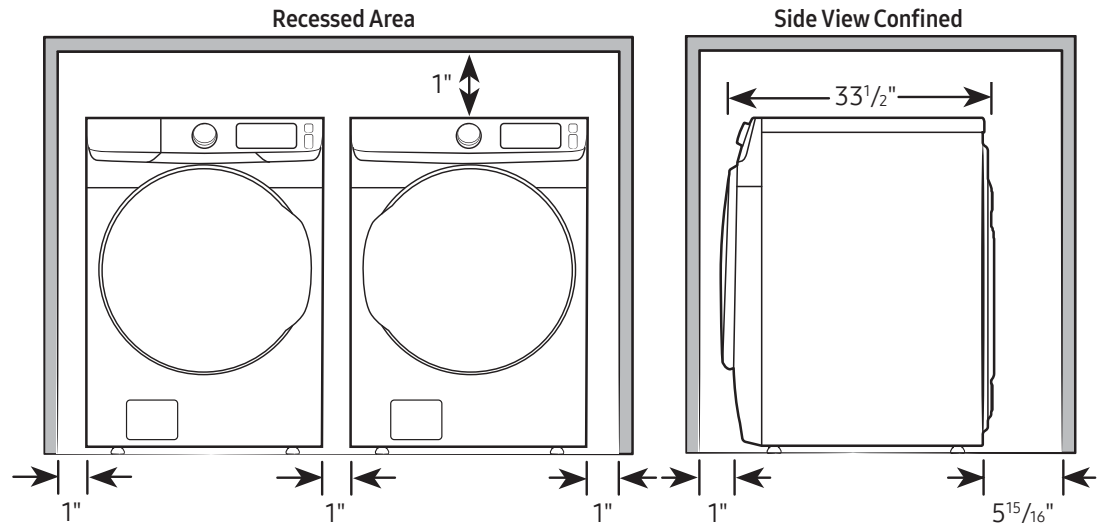


Installation Specifications – Side-by-Side or Stand-Alone

If the washer and dryer are installed together or the dryer alone, the closet front must have two unobstructed air openings for a combined minimum total area of 72-inch². Your washer alone does not require a specific air opening.

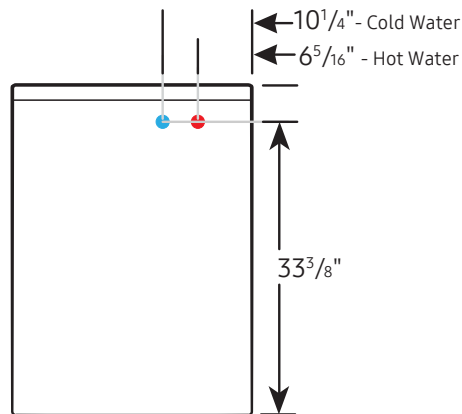
Alcove or closet installation

Minimum clearance for closet and alcove installations:



Connection Dimensions

Back view of washer



LEGEND:

- Cold Water Connection
- Hot Water Connection

Actual color may vary. Design, specifications, and color availability are subject to change without notice. Non-metric weights and measurements are approximate.

©2021 Samsung Electronics America, Inc., 85 Challenger Road, Ridgefield Park, NJ 07660. Tel: 800-SAMSUNG. samsung.com. Samsung is a registered trademark of Samsung Electronics Co., Ltd.

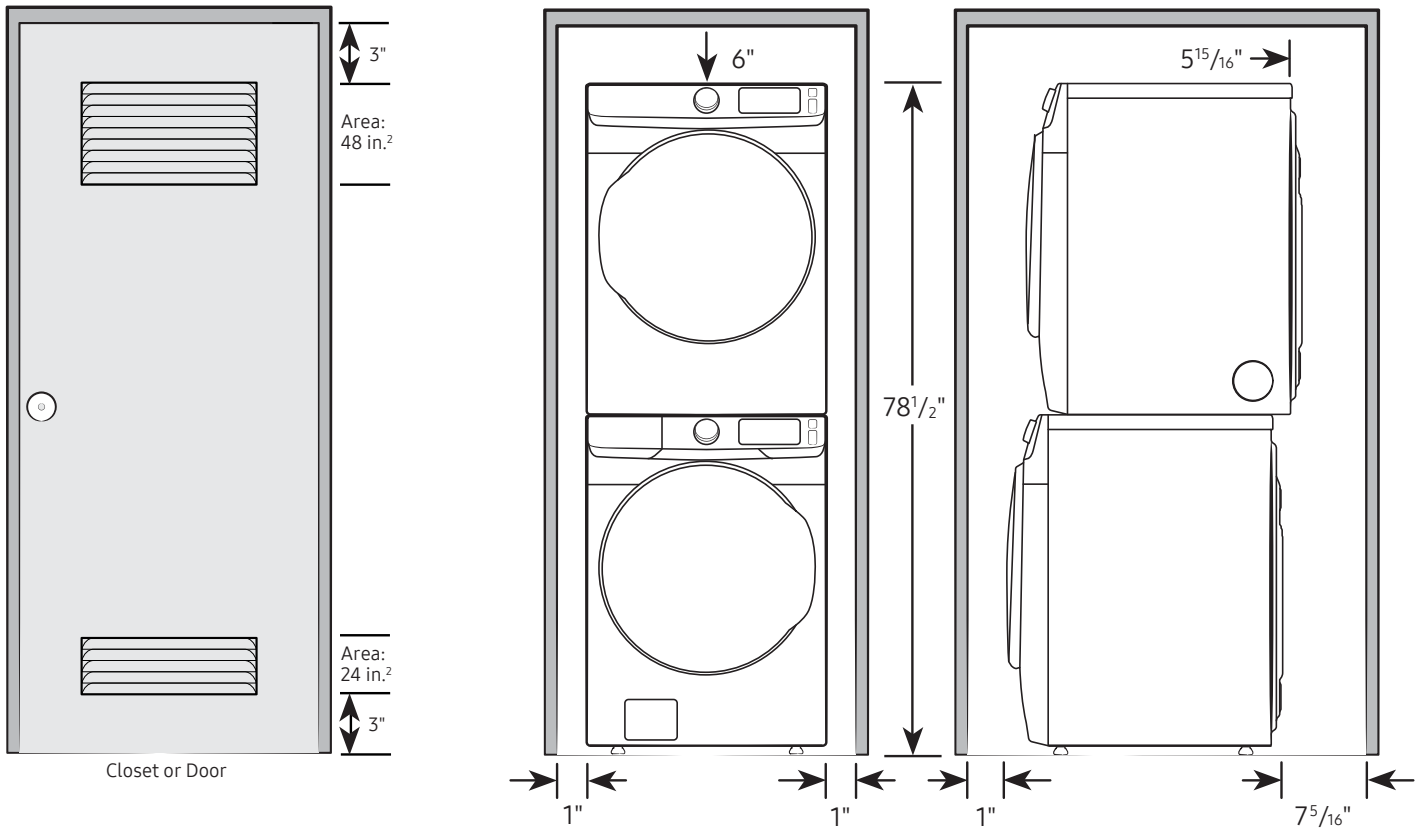
WF50A8800AV

SAMSUNG

Samsung 5.0 cu. ft. Extra-Large Capacity Smart Dial Front Load Washer with OptiWash™

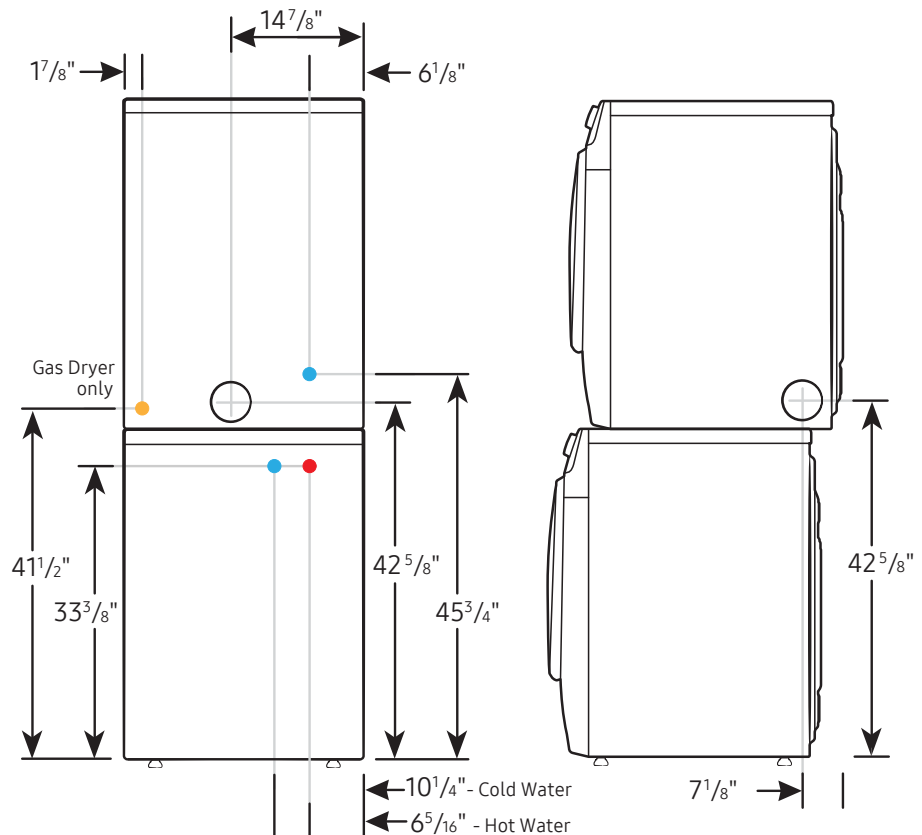
Installation Specifications – Stacked Pair

Clearances indicated are for stacked pairs. The closet front must have two unobstructed air openings for a combined minimum total area of 72-inch².



Connection Dimensions

Back and side views of stacked pair



LEGEND:

- Cold Water Connection
- Hot Water Connection
- Gas Connection

Actual color may vary. Design, specifications, and color availability are subject to change without notice. Non-metric weights and measurements are approximate.

©2021 Samsung Electronics America, Inc., 85 Challenger Road, Ridgefield Park, NJ 07660. Tel: 800-SAMSUNG. samsung.com. Samsung is a registered trademark of Samsung Electronics Co., Ltd.