

DVE50A8600V

SAMSUNG

Samsung 7.5 cu. ft. Smart Dial Electric Dryer with Super Speed Dry



Features

- AI Powered Smart Dial
- MultiControl™
- Flexible Installation
- Super Speed Dry
- Steam Sanitize+
- Wi-Fi Connectivity¹
- ENERGY STAR® Certified
- CleanGuard™
- Sensor Dry
- Vent Sensor
- Large 7.5 cu. ft. Capacity
- Interior Drum Light
- Reversible Door
- Lint Filter Indicator
- ADA Compliant²
- Stainless Steel Drum
- 19 Preset Drying Cycles
- 14 Options
- 5 Temperature Settings
- 9 Timed Dry Settings
- 4-Way Venting (Back, Bottom, Left, Right)

Convenience

- Child Lock
- Filter Check Indicator

Rating



ENERGY STAR® Rated:
608 kWh/yr

Electrical Requirements

120 V / 240 V / 60 Hz
30 Amps

¹Requires wireless network, Samsung account and SmartThings App. The Samsung SmartThings App supports Android OS 4.0 (ICS) or later which is optimized for Samsung smartphones (Galaxy S and Galaxy Note series). This app also supports iOS 7 or later for iPhone models. SmartThings App available in App Store and Play Store. Only monitoring enabled on Gas Dryers for safety reasons.

²ADA Compliant when using 27" wide riser. (Riser model codes: WE272NV, WE272NW, WE272NC)

19 Preset Drying Cycles:

Refresh, Wrinkle Away, Steam Sanitize, Super Speed, Eco Normal, Normal, Heavy Duty, Towels, Permanent Press, Activewear, Bedding, Delicates, Wool, Shirts, Denim, Time Dry, Air Fluff, Quick Dry, Rack Dry

14 Options:

Mixed Load Bell, Wrinkle Prevent, AntiStatic, My Cycle, Smart Control, Eco Dry, Drum Light, Child Lock, Alarm, AI Pattern, Wi-Fi, Language, Vent Blockage Test, Factory Reset

5 Temperature Settings:

High, Medium, Medium Low, Low, Extra Low

5 Dry Levels:

Very Dry, More Dry, Normal Dry, Less Dry, Damp Dry

Warranty

One (1) Year Parts and Labor

Product Dimensions & Weight (WxHxD)

Dimensions: 27" x 38³/₄" x 31⁵/₁₆"

Weight: 119 lbs

Shipping Dimensions & Weight (WxHxD)

Dimensions: 29³/₈" x 42⁹/₁₆" x 34¹¹/₁₆"

Weight: 125.7 lbs

Available Colors



Brushed Black



Ivory

Electric Dryer

| | Model # | UPC Code |
|---------------|-------------|--------------|
| Brushed Black | DVE50A8600V | 887276517728 |
| Ivory | DVE50A8600E | 887276521558 |

Gas Dryer

| | | |
|---------------|-------------|--------------|
| Brushed Black | DVG50A8600V | 887276517759 |
| Ivory | DVG50A8600E | 887276517742 |

Matching Washer

| | | |
|---------------|-------------|--------------|
| Brushed Black | WF50A8600AV | 887276519005 |
| Ivory | WF50A8600AE | 887276518992 |

Optional Accessories

| | | |
|--|---------|--------------|
| Brushed Black/Black Stainless Steel Pedestal | WE402NV | 887276310145 |
| Brushed Black/Black Stainless Steel Riser | WE272NV | 887276197630 |
| Ivory Pedestal | WE402NE | 887276529073 |
| MultiControl™ Kit and Stacking Kit | SKK-8MC | 887276597959 |
| MultiControl™ | DV-MCK | 887276528953 |
| Stacking Kit | SKK-8K | 887276344034 |
| Vent Kit | DV-2A | 887276146416 |

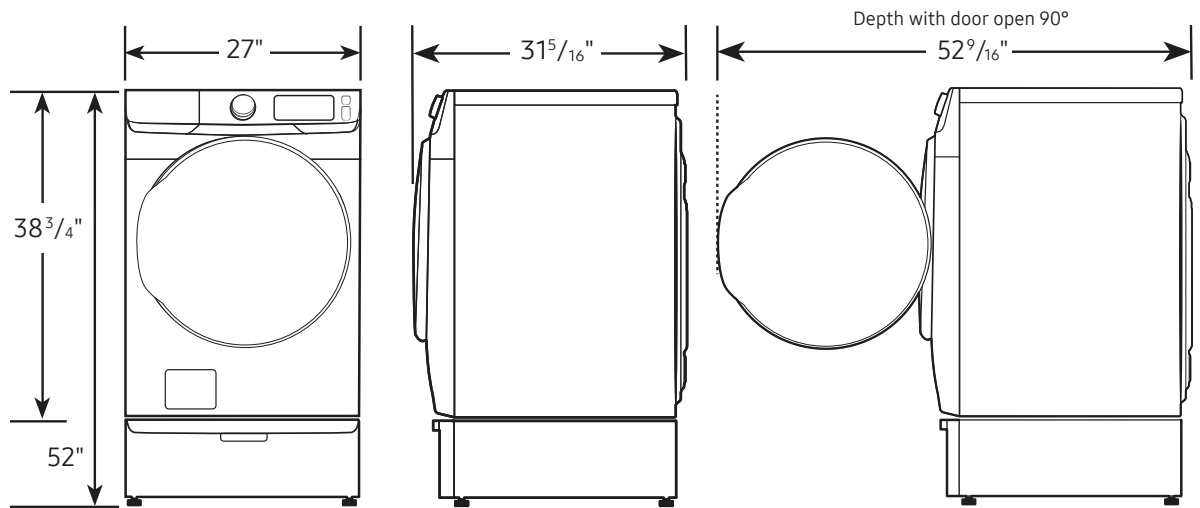
DVE50A8600V

SAMSUNG

Samsung 7.5 cu. ft. Smart Dial Electric Dryer with Super Speed Dry

Dimensions

Required dimensions for installation with pedestal:

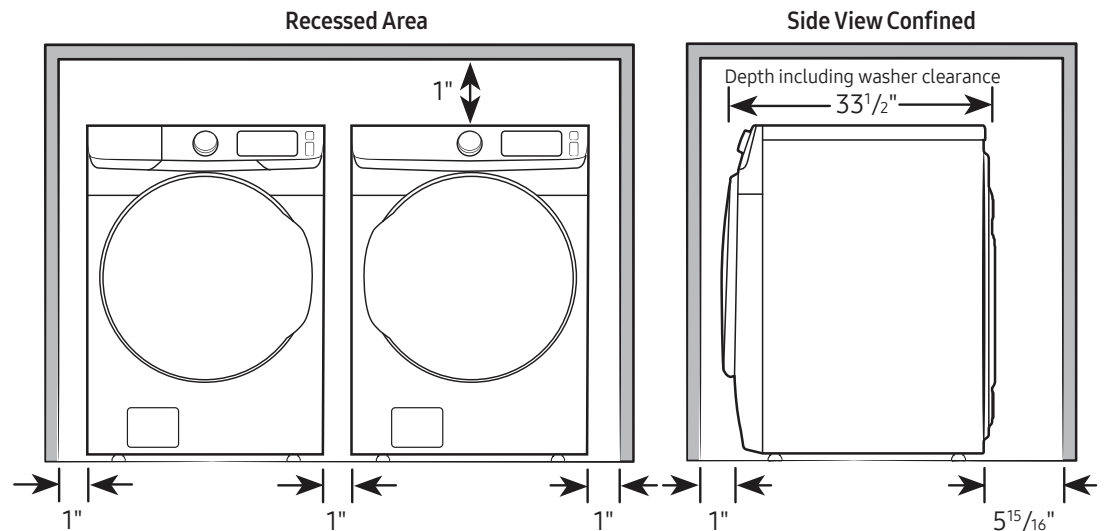


Installation Specifications – Side-by-Side or Stand-Alone

If the washer and dryer are installed together or the dryer alone, the closet front must have two unobstructed air openings for a combined minimum total area of 72-inch². Your washer alone does not require a specific air opening.

Alcove or closet installation

Minimum clearance for closet and alcove installations:

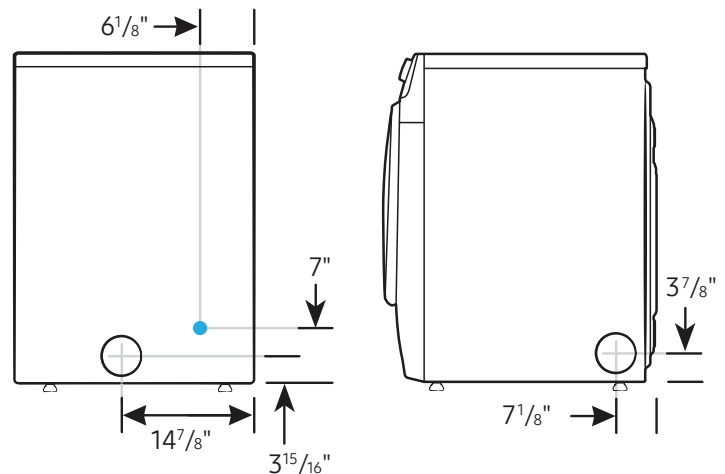


Connection Dimensions

Back and side view of dryer

LEGEND:

● Cold Water Connection



Actual color may vary. Design, specifications, and color availability are subject to change without notice. Non-metric weights and measurements are approximate.

©2023 Samsung Electronics America, Inc., 85 Challenger Road, Ridgefield Park, NJ 07660. Tel: 800-SAMSUNG. samsung.com. Samsung is a registered trademark of Samsung Electronics Co., Ltd.

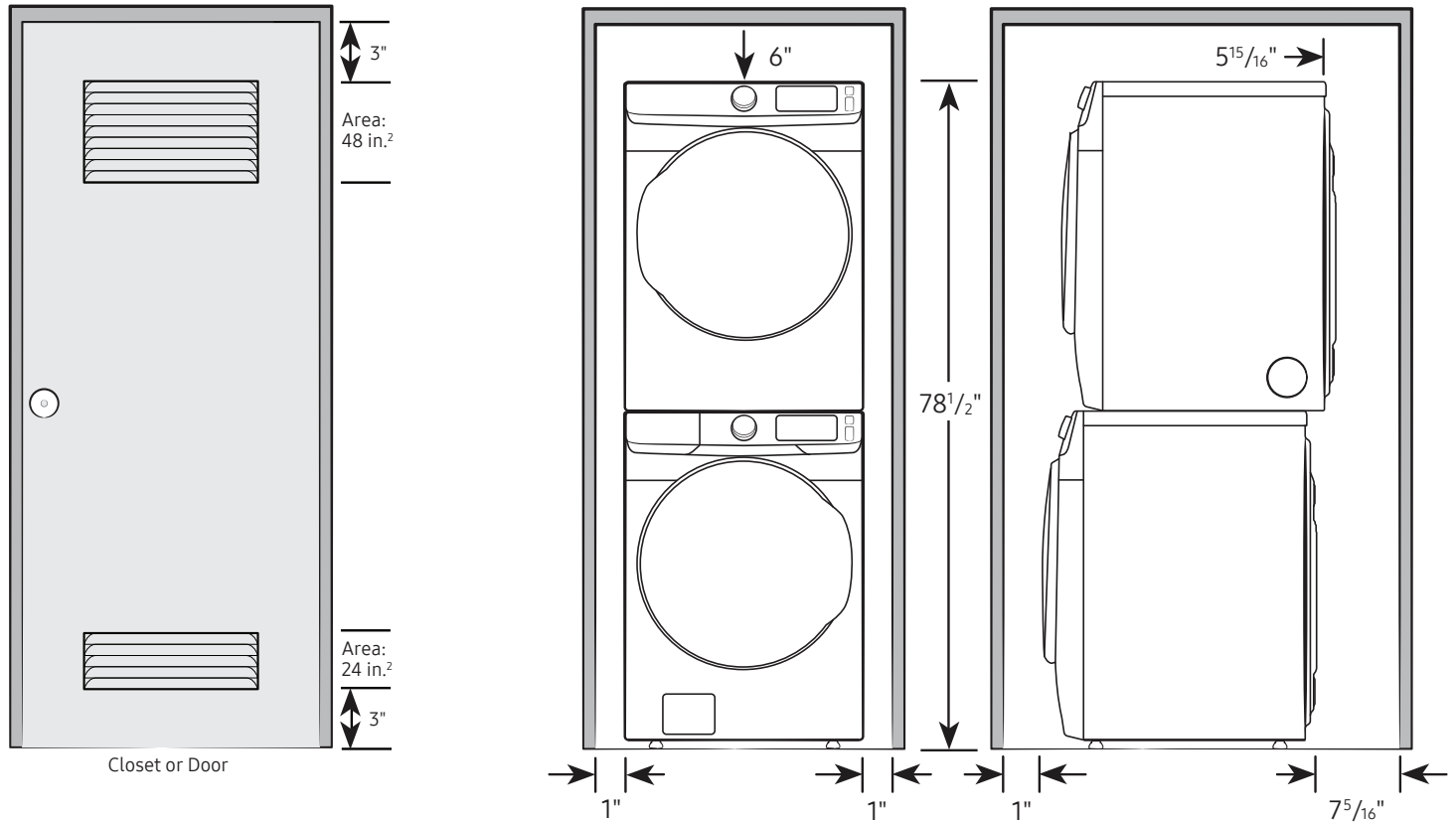
DVE50A8600V

SAMSUNG

Samsung 7.5 cu. ft. Smart Dial Electric Dryer with Super Speed Dry

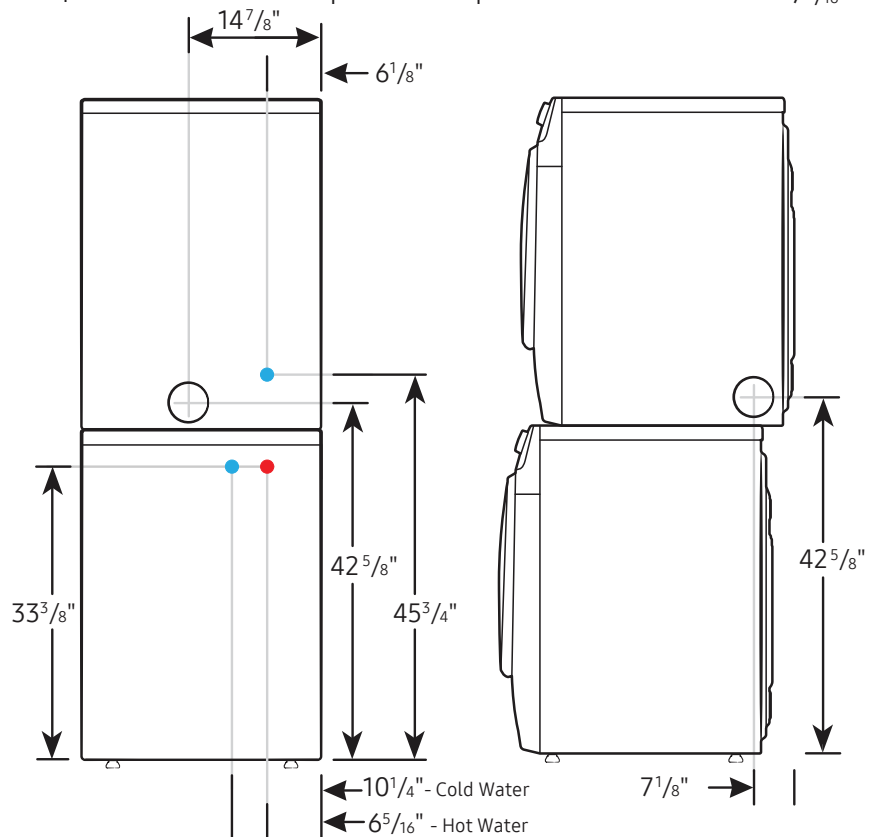
Installation Specifications – Stacked Pair

Clearances indicated are for stacked pairs. The closet front must have two unobstructed air openings for a combined minimum total area of 72-inch².



Connection Dimensions

Back and side views of stacked pair



LEGEND:

- Cold Water Connection
- Hot Water Connection

Actual color may vary. Design, specifications, and color availability are subject to change without notice. Non-metric weights and measurements are approximate.

©2023 Samsung Electronics America, Inc., 85 Challenger Road, Ridgefield Park, NJ 07660. Tel: 800-SAMSUNG. samsung.com. Samsung is a registered trademark of Samsung Electronics Co., Ltd.