

# DVG50A8600V

# SAMSUNG

## Samsung 7.5 cu. ft. Smart Dial Gas Dryer with Super Speed Dry



### Features

- AI Powered Smart Dial
- MultiControl™
- Flexible Installation
- Super Speed Dry
- Steam Sanitize+
- Wi-Fi Connectivity<sup>1</sup>
- ENERGY STAR® Certified
- CleanGuard™
- Sensor Dry
- Vent Sensor
- Large 7.5 cu. ft. Capacity
- Interior Drum Light
- Reversible Door
- Lint Filter Indicator
- ADA Compliant<sup>2</sup>
- Stainless Steel Drum
- 19 Preset Drying Cycles
- 14 Options
- 5 Temperature Settings
- 9 Timed Dry Settings
- 3-Way Venting (Back, Bottom, Left)

### Convenience

- Child Lock
- Filter Check Indicator

### Electrical Requirements

120 V / 60 Hz  
15 Amps



<sup>1</sup>Requires wireless network, Samsung account and SmartThings App. The Samsung SmartThings App supports Android OS 4.0 (ICS) or later which is optimized for Samsung smartphones (Galaxy S and Galaxy Note series). This app also supports iOS 7 or later for iPhone models. SmartThings App available in App Store and Play Store. Only monitoring enabled on Gas Dryers for safety reasons.

<sup>2</sup>ADA Compliant when using 27" wide riser. (Riser model codes: WE272NV, WE272NW, WE272NC)

### 19 Preset Drying Cycles:

Refresh, Wrinkle Away, Steam Sanitize, Super Speed, Eco Normal, Normal, Heavy Duty, Towels, Permanent Press, Activewear, Bedding, Delicates, Wool, Shirts, Denim, Time Dry, Air Fluff, Quick Dry, Rack Dry

### 14 Options:

Mixed Load Bell, Wrinkle Prevent, AntiStatic, My Cycle, Smart Control, Eco Dry, Drum Light, Child Lock, Alarm, AI Pattern, Wi-Fi, Language, Vent Blockage Test, Factory Reset

### 5 Temperature Settings:

High, Medium, Medium Low, Low, Extra Low

### 5 Dry Levels:

Very Dry, More Dry, Normal Dry, Less Dry, Damp Dry

### Warranty

One (1) Year Parts and Labor

### Product Dimensions & Weight (WxHxD)

Dimensions: 27" x 38<sup>3</sup>/<sub>4</sub>" x 31<sup>5</sup>/<sub>16</sub>"

Weight: 119 lbs

### Shipping Dimensions & Weight (WxHxD)

Dimensions: 29<sup>3</sup>/<sub>8</sub>" x 42<sup>9</sup>/<sub>16</sub>" x 34<sup>11</sup>/<sub>16</sub>"

Weight: 125.7 lbs

### Available Colors



Brushed Black



Ivory

Gas Dryer	Model #	UPC Code
Brushed Black	DVG50A8600V	887276517759
Ivory	DVG50A8600E	887276517742
Electric Dryer		
Brushed Black	DVE50A8600V	887276517728
Ivory	DVE50A8600E	887276521558
Matching Washer		
Brushed Black	WF50A8600AV	887276519005
Ivory	WF50A8600AE	887276518992
Optional Accessories		
Brushed Black/Black Stainless Steel Pedestal	WE402NV	887276310145
Brushed Black/Black Stainless Steel Riser	WE272NV	887276197630
Ivory Pedestal	WE402NE	887276529073
MultiControl™ Kit and Stacking Kit	SKK-8MC	887276597959
MultiControl™	DV-MCK	887276528953
Stacking Kit	SKK-8K	887276344034
Vent Kit	DV-2A	887276146416
Gas to Propane Converter Kit	LPKIT-4	887276352787

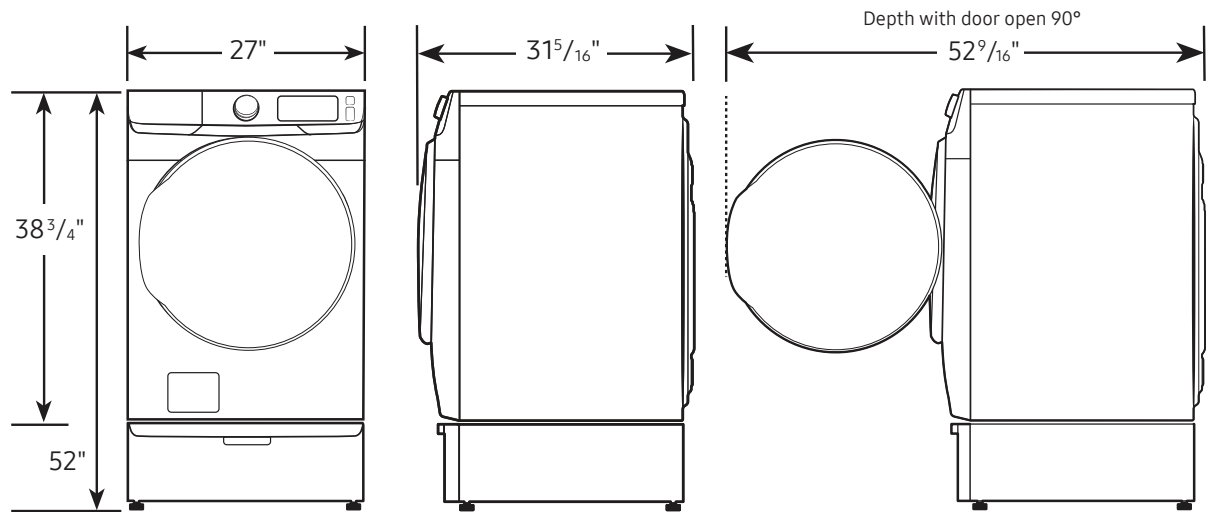
# DVG50A8600V

SAMSUNG

## Samsung 7.5 cu. ft. Smart Dial Gas Dryer with Super Speed Dry

### Dimensions

Required dimensions for installation with pedestal:

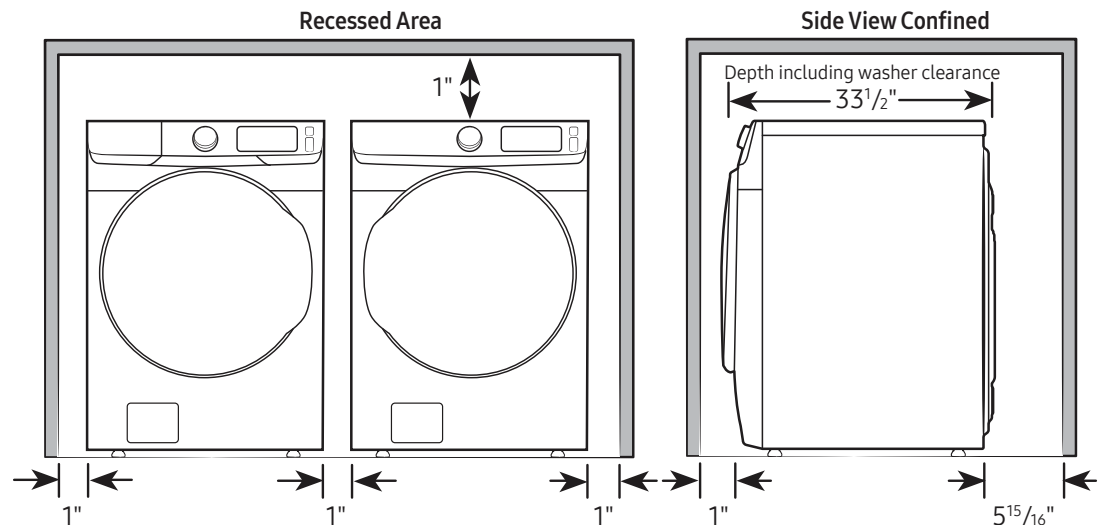


### Installation Specifications – Side-by-Side or Stand-Alone

If the washer and dryer are installed together or the dryer alone, the closet front must have two unobstructed air openings for a combined minimum total area of 72-inch<sup>2</sup>. Your washer alone does not require a specific air opening.

#### Alcove or closet installation

Minimum clearance for closet and alcove installations:



### Connection Dimensions

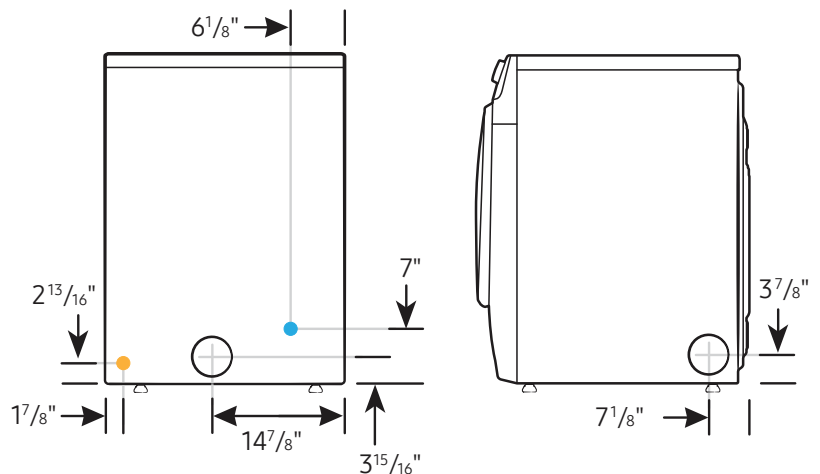
Back and side view of dryer

#### LEGEND:

- Cold Water Connection
- Gas Connection

Actual color may vary. Design, specifications, and color availability are subject to change without notice. Non-metric weights and measurements are approximate.

©2023 Samsung Electronics America, Inc., 85 Challenger Road, Ridgefield Park, NJ 07660. Tel: 800-SAMSUNG. samsung.com. Samsung is a registered trademark of Samsung Electronics Co., Ltd.



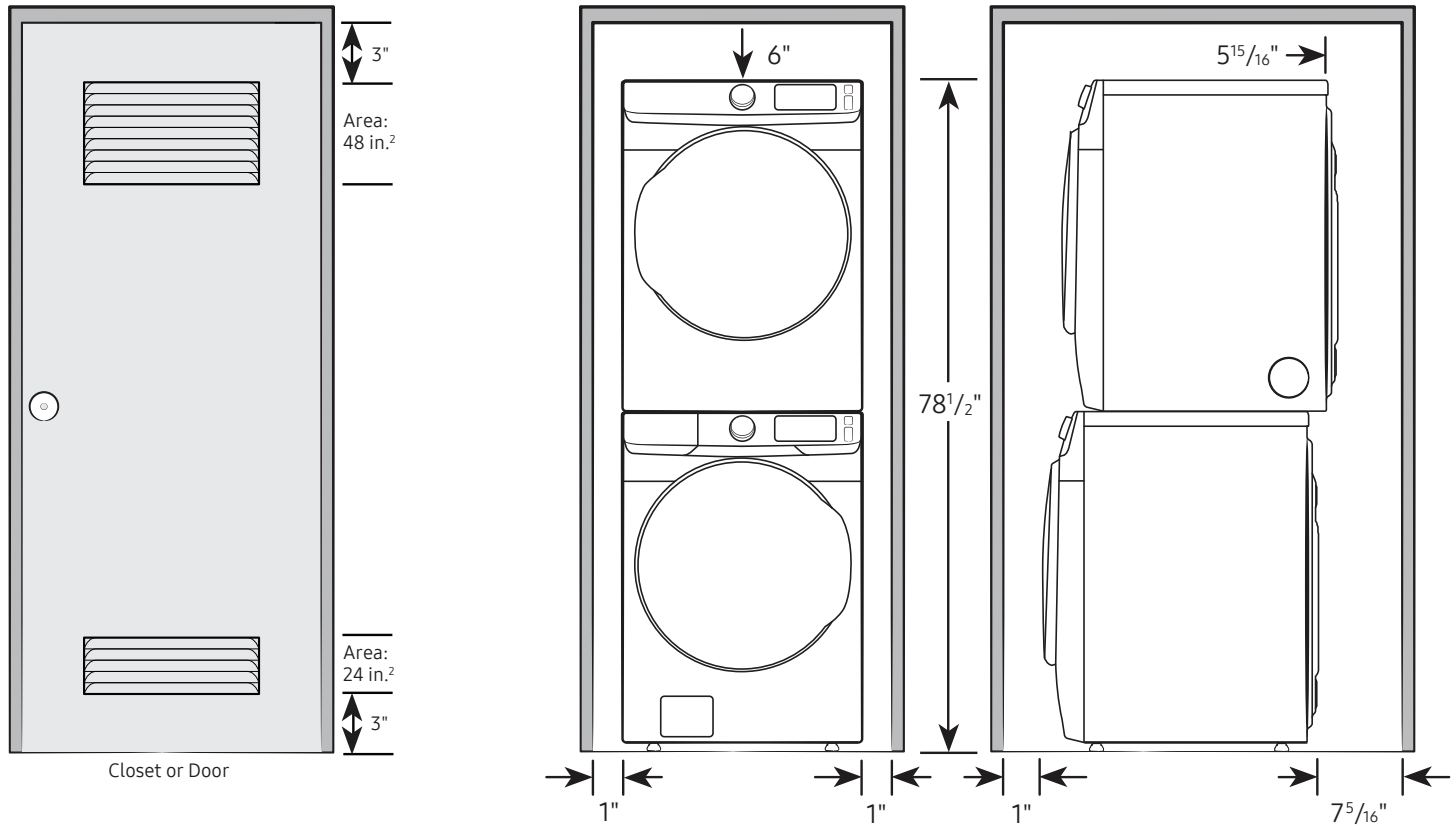
# DVG50A8600V

**SAMSUNG**

## Samsung 7.5 cu. ft. Smart Dial Gas Dryer with Super Speed Dry

### Installation Specifications – Stacked Pair

Clearances indicated are for stacked pairs. The closet front must have two unobstructed air openings for a combined minimum total area of 72-inch<sup>2</sup>.



### Connection Dimensions

Back and side views of stacked pair

**LEGEND:**

- Cold Water Connection
- Hot Water Connection
- Gas Connection

Actual color may vary. Design, specifications, and color availability are subject to change without notice. Non-metric weights and measurements are approximate.

©2023 Samsung Electronics America, Inc., 85 Challenger Road, Ridgefield Park, NJ 07660. Tel: 800-SAMSUNG. samsung.com. Samsung is a registered trademark of Samsung Electronics Co., Ltd.

