

# NX60T8751SS

SAMSUNG

## Samsung Flex Duo™ Front Control Slide-in Gas Range with Smart Dial & Air Fry

6.0 cu. ft. Capacity



### Signature Features

#### Smart Dial

- The new Smart Dial simplifies oven settings in a single dial and intuitively learns based on your cooking preferences.

#### Air Fry

- Cooking just got healthier\* with new Air Fry mode. Using little to no oil, you can quickly prepare your favorite fried foods right in your oven. Air Fry tray included.

\*As compared to deep frying.

#### Flex Duo™

- The Flex Duo™ range is for the ultimate multi-tasker who wants to be efficient in the kitchen. Use the full oven, or split it into two separate smaller ovens to suit your needs.

### Available Colors



Fingerprint Resistant  
Stainless Steel (shown)



Fingerprint Resistant  
Black Stainless Steel



Smart Dial



Air Fry

### Features

- Smart Dial
- Air Fry, Tray Included
- Flex Duo™
- Convection
- Illuminated Knobs
- Fingerprint Resistant Finish
- Reversible Cast-Iron Griddle
- Large Oven Capacity – 6.0 cu. ft.
- Ready2Fit™ Guarantee
- Temperature Probe
- Gliding Rack
- Soft Close Door
- Wok Ring
- Storage Drawer

- Flexible Cooktop:
  - Five Burner Cooktop
  - Right Front: 23K BTU Dual Ring Brass Power Burner
  - Left Front: 16K BTU
  - Right Rear: 5K BTU
  - Left Rear: 9.5K BTU
  - Center (Oval): 10K BTU

### Convenience

- Wi-Fi Connectivity
- Voice-Enabled
- Convection Auto Conversion
- Self Clean
- Child Safety Lock
- Delay Start
- Auto Oven Light
- Kitchen Timer
- Sabbath Mode

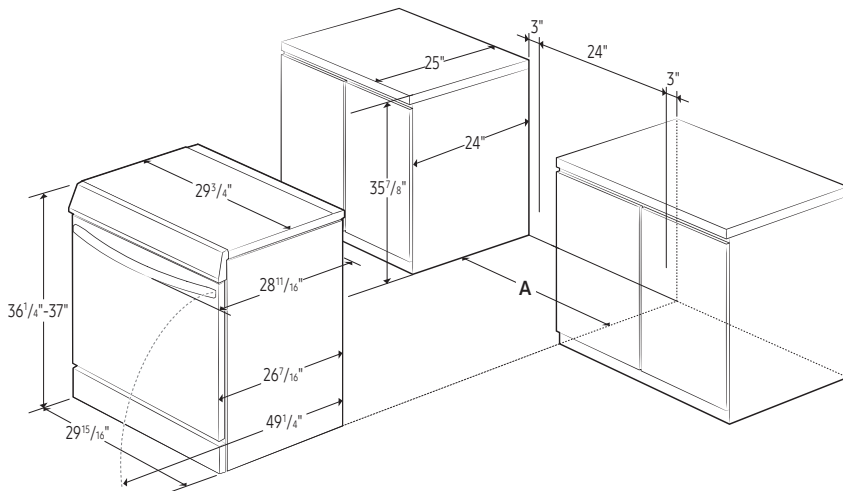


# NX60T8751SS

**SAMSUNG**

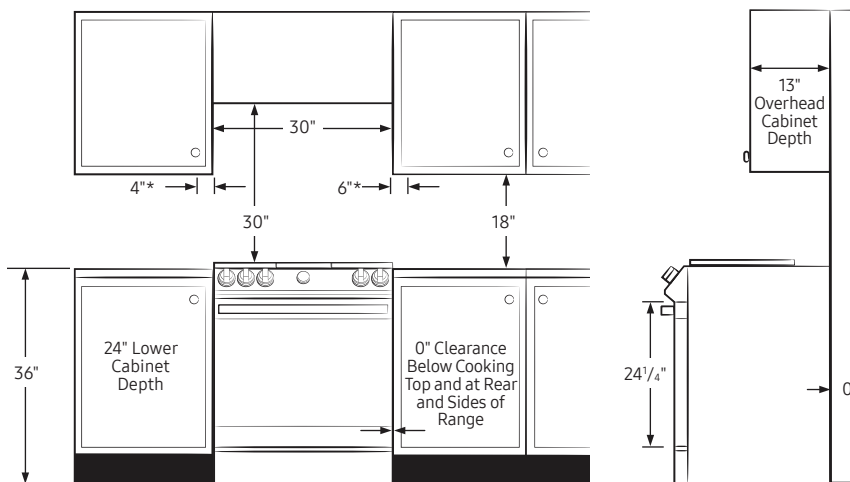
## Samsung Flex Duo™ Front Control Slide-in Gas Range with Smart Dial & Air Fry

### Installing Your Range



A: Cabinet opening 30"

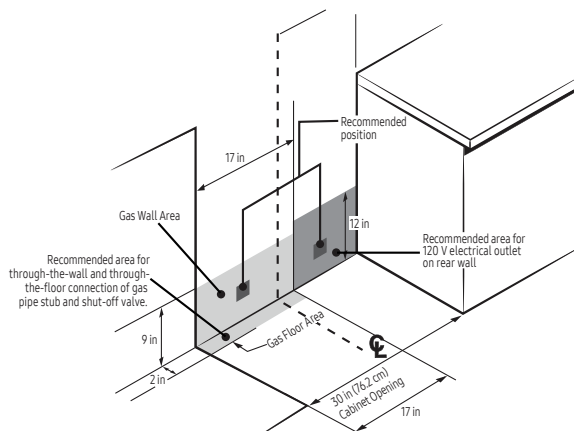
**IMPORTANT:** If your cabinets are over 37" high, you must install this range on a hard, heat-resistant support that raises the surface of the range so that it is about even with the countertop.



\*Side clearance above cooking surface to any objects, i.e., wall.

**IMPORTANT:** Consult with Installation Manual for detailed instructions before installing. All ranges must be installed with the Anti-Tip device that is included.

### Recommended Locations for Gas Piping and Electrical Outlets



**Power Source**  
120V/60Hz/20A

**Total Power (BTU)**  
63,500 BTU

### 5-Burner Cooktop

- Right Front: 23K BTU Dual Ring, Brass
- Left Front: 16K BTU
- Right Rear: 5K BTU
- Left Rear: 9.5K BTU
- Center (Oval): 10K BTU

### Oven

- Upper Capacity: 3.4 cu. ft.
- Lower Capacity: 2.5 cu. ft.
- Convection Element/Heater
- Convection Bake
- Convection Roast
- Bake
- Variable Broil: Low/High
- Air Fry
- Bread Proof
- Dehydrate

### Warranty

One (1) Year Parts and Labor

### Product Dimensions & Weight (WxHxD)

Actual Oven Dimensions:  
24<sup>13</sup>/<sub>16</sub>" x 21<sup>5</sup>/<sub>8</sub>" x 19<sup>5</sup>/<sub>8</sub>"

Outside Dimensions:  
29<sup>15</sup>/<sub>16</sub>" x 36<sup>1</sup>/<sub>4</sub>-37" (Adjustable) x 28<sup>11</sup>/<sub>16</sub>"

Weight: 220 lbs

### Shipping Dimensions & Weight (WxHxD)

Dimensions:  
33<sup>1</sup>/<sub>16</sub>" x 41<sup>3</sup>/<sub>4</sub>" x 30<sup>5</sup>/<sub>16</sub>"

Weight: 246 lbs

Color	Model #	UPC Code
Fingerprint Resistant Stainless Steel	NX60T8751SS	887276409153
Fingerprint Resistant Black Stainless Steel	NX60T8751SG	887276409146



Actual color may vary. Design, specifications, and color availability are subject to change without notice. Non-metric weights and measurements are approximate.

©2020 Samsung Electronics America, Inc. 85 Challenger Road, Ridgefield Park, NJ 07660. Tel: 800-SAMSUNG. samsung.com. Samsung is a registered trademark of Samsung Electronics Co. Ltd.