

# NX60T8511SS

SAMSUNG

## Samsung Smart Slide-in Gas Range with Air Fry

6.0 cu. ft. Capacity



### Signature Features

#### Air Fry

- A healthier way to prepare your favorite fried foods right in your oven with little to no oil.\* No preheating required. Air Fry tray included.

\*As compared to deep frying.

#### Convection+

- Powerful Convection+ saves you time by cooking food fast and more evenly. Perfect for baking and roasting.

#### Fingerprint Resistant Finish

- Fingerprint resistant for an everyday beautiful finish.

### Available Colors



Fingerprint Resistant  
Stainless Steel (shown)



Fingerprint Resistant  
Black Stainless Steel

### Bespoke Finish



White Glass



Air Fry



Convection+

### Features

- Air Fry, Tray Included
- Convection+
- Fingerprint Resistant Finish
- 18K BTU Dual Ring Brass Power Burner
- Aluminum Griddle
- Large Oven Capacity – 6.0 cu. ft.
- Glass Touch Controls
- Ready2Fit™ Guarantee
- Edge-to-Edge Grates
- Storage Drawer

- Flexible Cooktop:  
Five Burner Cooktop
  - Right Front: 18K BTU
  - Left Front: 16K BTU
  - Right Rear: 5K BTU
  - Left Rear: 9.5K BTU
  - Center (Oval): 10K BTU

### Convenience

- Wi-Fi
- Voice Control
- Convection+
- Self Clean
- Child Safety Lock
- Delay Start
- Auto Oven Light
- Kitchen Timer
- Sabbath Mode



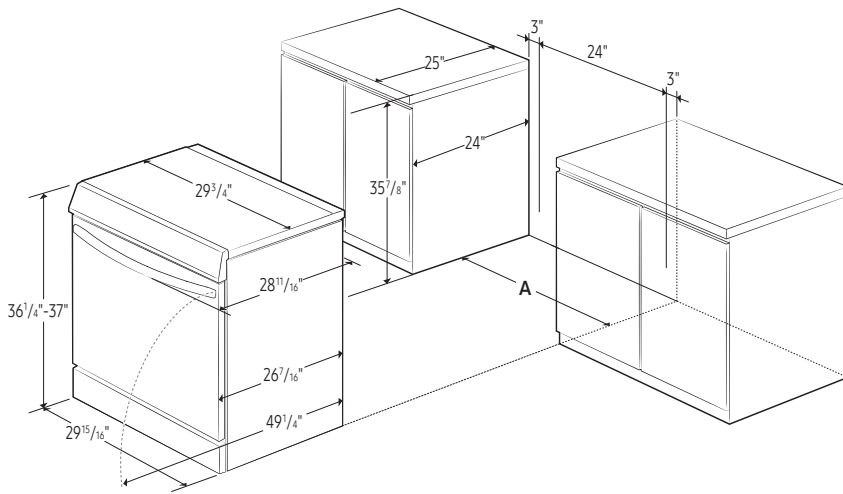
# NX60T8511SS

**SAMSUNG**

## Samsung Smart Slide-in Gas Range with Air Fry

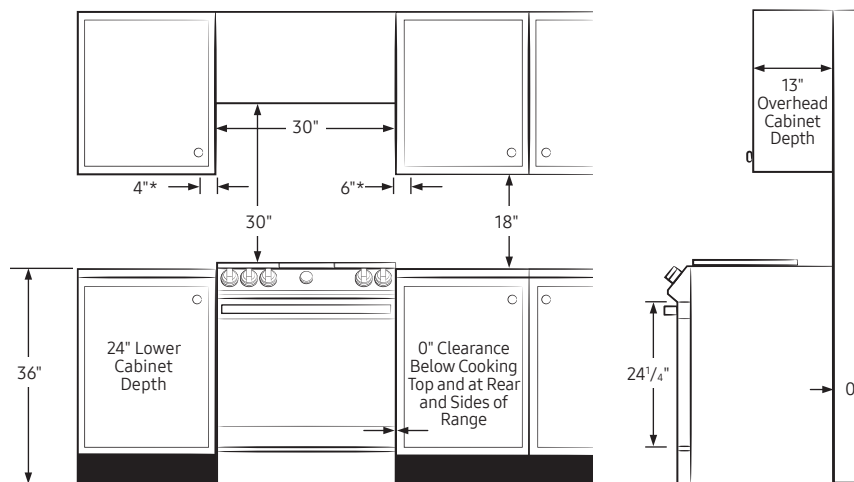
6.0 cu. ft. Capacity

### Installing Your Range



A: Cabinet opening 30"

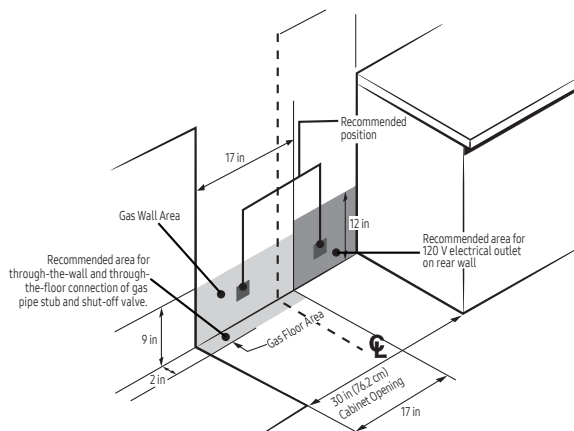
**IMPORTANT:** If your cabinets are over 37" high, you must install this range on a hard, heat-resistant support that raises the surface of the range so that it is about even with the countertop.



\*Side clearance above cooking surface to any objects, i.e., wall.

**IMPORTANT:** Consult with Installation Manual for detailed instructions before installing. All ranges must be installed with the Anti-Tip device that is included.

### Recommended Locations for Gas Piping and Electrical Outlets



### Total Power (BTU)

58,500 BTU

### Power Source

120V/60Hz/20A

### Black Enamel 5-Burner Cooktop

- Right Front: 18K BTU
- Left Front: 16K BTU
- Right Rear: 5K BTU
- Left Rear: 9.5K BTU
- Center (Oval): 10K BTU

### Oven

- Capacity: 6.0 cu. ft.
- Convection Bake
- Convection Roast
- Bake
- Variable Broil: Low/High
- Air Fry
- Bread Proof
- Dehydrate

### Warranty

One (1) Year Parts and Labor

### Product Dimensions & Weight (WxHxD)

Oven Interior Dimensions:

24<sup>13</sup>/<sub>16</sub>" x 21<sup>5</sup>/<sub>8</sub>" x 19<sup>5</sup>/<sub>8</sub>"

Outside Net Dimensions:

29<sup>15</sup>/<sub>16</sub>" x 36<sup>1</sup>/<sub>4</sub>-37" (Adjustable) x 28<sup>11</sup>/<sub>16</sub>"

Weight: 208 lbs

### Shipping Dimensions & Weight (WxHxD)

Dimensions:

33<sup>1</sup>/<sub>16</sub>" x 41<sup>3</sup>/<sub>4</sub>" x 30<sup>5</sup>/<sub>16</sub>"

Weight: 234 lbs

### Standard Finishes

Fingerprint Resistant  
Stainless Steel

### Model #

NX60T8511SS

### UPC Code

887276409245

Fingerprint Resistant  
Black Stainless Steel

NX60T8511SG

887276409238

### Bespoke Finish

White Glass

NX60BB851112

887276697673



Actual color may vary. Design, specifications, and color availability are subject to change without notice. Non-metric weights and measurements are approximate.

©2022 Samsung Electronics America, Inc. 85 Challenger Road, Ridgefield Park, NJ 07660. Tel: 800-SAMSUNG. samsung.com. Samsung is a registered trademark of Samsung Electronics Co. Ltd.