

NE63T8951SS

SAMSUNG

6.3 cu. ft. Smart Slide-In Induction Range
with Flex Duo,™ Smart Dial & Air Fry



Signature Features

Smart Dial

- The new Smart Dial simplifies oven settings in a single dial and intuitively learns based on your cooking preferences.

Air Fry

- Cooking with a crunch just got healthier with Air Fry.* Using little to no oil, you can quickly prepare favorite fried foods right in your oven. No preheating required.

*As compared to deep frying. Air fry tray included with purchase.

Flex Duo™

- The Flex Duo™ range is for the ultimate multi-tasker who wants to be efficient in the kitchen. Use the full oven, or split it into two separate smaller ovens to suit your needs.

Available Colors

 Fingerprint Resistant
Stainless Steel (shown)

 Fingerprint Resistant
Black Stainless Steel



Smart Dial



Air Fry

Features

- Smart Dial
- Air Fry, Tray Included
- Flex Duo™
- Convection+
- Illuminated Knobs
- Fingerprint Resistant Finish
- Virtual Flame™
- Large Oven Capacity – 6.3 cu. ft.
- Ready2Fit™ Guarantee
- Temperature Probe
- Gliding Rack
- Soft Close Door
- Storage Drawer

- Flexible Cooktop:
 - Four Burner Cooktop
 - 11" 2400 W, Boost 4200 W, Virtual Flame™
 - 7" 1800 W, Boost 2300 W (2)
 - 6" 1200 W, Boost 2000 W

Convenience

- Wi-Fi Connectivity
- Voice-Enabled
- Convection Auto Conversion
- Self & Steam Clean
- Hidden Bake Element
- Child Safety Lock
- Delay Start
- Auto Oven Light
- Kitchen Timer
- Sabbath Mode

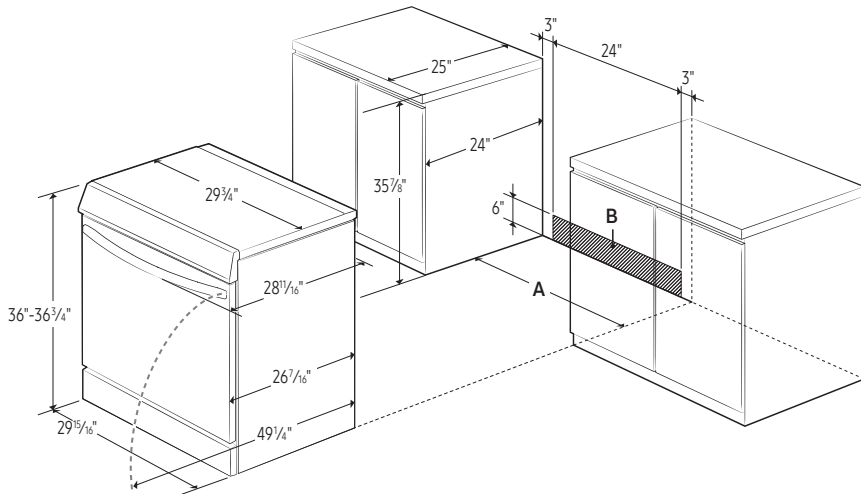


NE63T8951SS

SAMSUNG

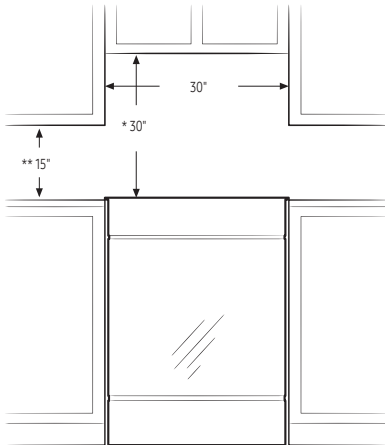
6.3 cu. ft. Smart Slide-In Induction Range with Flex Duo,[™] Smart Dial & Air Fry

Installation Specifications



A: Cabinet opening min 30"
B: Acceptable electrical outlet area

IMPORTANT: If your cabinets are over 36³/₄" high, you must install this range on a hard, heat-resistant support that raises the surface of the range so that it is about even with the countertop.



* 30" minimum clearance between the top of the cooking surface and the bottom of an unprotected wood or metal cabinet; or 24" minimum when the bottom of the wood or metal cabinet is protected by not less than 1/4" of flame retardant millboard covered with not less than no.28 MSG sheet steel, 0.015" stainless steel, 0.024" aluminum, or 0.020" copper.

**15" minimum between the countertop and the adjacent cabinet bottom.

IMPORTANT: Consult with Installation Manual for detailed instructions before installing. All ranges must be installed with the Anti-Tip device that is included.

Power Source

240V/208V/60 Hz/40A

Induction Cooktop

- Right Front: 11" 2400 W, Boost 4200 W, Virtual Flame[™]
- Left Front: 7" 1800 W, Boost 2300 W
- Right Rear: 7" 1800 W, Boost 2300 W
- Left Rear: 6" 1200 W, Boost 2000 W

Dual Oven

- Upper Capacity: 3.4 cu. ft.
- Lower Capacity: 2.7 cu. ft.
- Convection Element/Heater
- Convection Bake
- Convection Roast
- Bake
- Variable Broil: Low/High
- Air Fry
- Bread Proof
- Dehydrate

Warranty

One (1) Year Parts and Labor

Product Dimensions & Weight (WxHxD)

Oven Interior Dimensions:

24¹³/₁₆" x 22⁷/₁₆" x 19³/₄"

Outside Net Dimensions:

29¹⁵/₁₆" x 36-36³/₄" (Adjustable) x 28¹¹/₁₆"

Weight: 216 lbs

Shipping Dimensions & Weight (WxHxD)

Dimensions:

33¹/₁₆" x 41³/₄" x 30⁵/₁₆"

Weight: 239 lbs

Color

Fingerprint Resistant
Stainless Steel

Model

NE63T8951SS

UPC Code

887276415086

Fingerprint Resistant
Black Stainless Steel

NE63T8951SG

887276415062

