

# NE59R4321SS

SAMSUNG

## 5.9 cu. ft. Freestanding Electric Range



### Signature Features

#### Stainless Steel Cooktop

- Premium look and larger cooking surface for greater flexibility to use multiple pot and pan sizes.

#### Fan Convection

- Fan Convection circulates air for faster, more even cooking.

#### 5.9 cu. ft. Large Capacity

- Cook multiple dishes at once or accommodate larger items for the holidays.

### Available Colors



Stainless Steel (shown)



Fingerprint Resistant  
Black Stainless Steel



Black



White



Stainless Steel Cooktop



Powerful/Flexible Cooktop

### Features

- Flexible Cooktop – Five Electric Elements
  - Two Dual Elements (6"/9", 9"/12")
  - Two Single Elements (6")
  - One Warming Center (7")
- Hidden Bake Element
- Wide View Window
- 3 Preset Easy Cook Options
- Storage Drawer

### Convenience

- Self & Steam Clean
- Auto Oven Light
- Kitchen Timer
- Sabbath Mode
- Proofing
- Delay Start
- Child Safety Lock
- 2 Chrome Racks

# NE59R4321SS

# SAMSUNG

## 5.9 cu. ft. Freestanding Electric Range

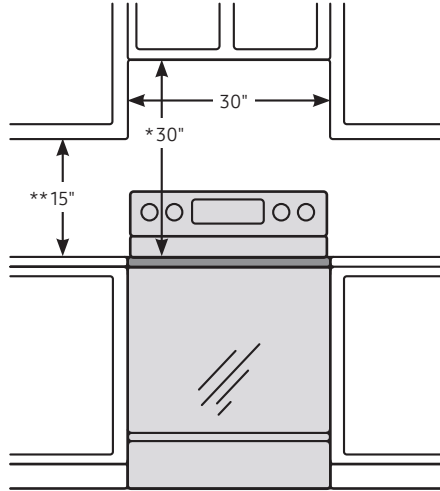
### Installation Specifications

\*30" minimum clearance between the top of the cooking surface and the bottom of an unprotected wood or metal cabinet; or If no 30" minimum clearance, 24" minimum when the bottom of the wood or metal cabinet is protected by not less than 0.25" flame-retardant millboard covered with not less than no. 28 MSG sheet steel, 0.015" stainless steel, 0.024" aluminum, or 0.020" copper.

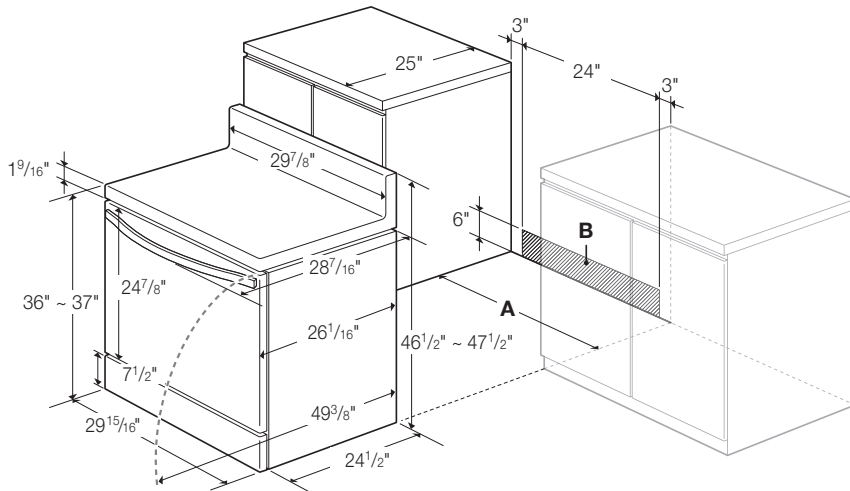
\*\*15" minimum between the countertop and the adjacent cabinet bottom.

**IMPORTANT:** To eliminate the risk of burns or fire caused by reaching over heated surface units, cabinet storage space located above the surface units should be avoided. If cabinet storage is to be provided, the risk can be reduced by installing a range hood that projects horizontally a minimum of 5" beyond the bottom of the cabinets.

A: Required Cabinet Opening is 30"  
B: Acceptable Electrical Outlet Space



### Dimensions



### Power Source

240V/60 Hz/40A

### Radiant Ceramic Cooktop

- Right Front: 9"/12" Dual Element, 3000W
- Left Front: 6"/9" Dual Element, 3000W
- Right Rear: 6" Element, 1200W
- Left Rear: 6" Element, 1200W
- Center Rear: 7" Warming Center

### Oven

- Capacity: 5.9 cu. ft.
- Hidden Bake Element
- Bake: 175°F–550°F
- Convection Bake: 175°F–550°F
- Convection Roast: 175°F–550°F
- Broil: Low/High

### Storage Drawer

Capacity: 1.4 cu. ft.

### Warranty

One (1) Year Parts and Labor

### Product Dimensions & Weight (WxHxD)

Actual Oven Dimensions: 25" x 21<sup>1</sup>/<sub>8</sub>" x 19<sup>1</sup>/<sub>4</sub>"

Outside Net Dimensions: 29<sup>15</sup>/<sub>16</sub>" x 46<sup>1</sup>/<sub>2</sub>" x 28<sup>7</sup>/<sub>16</sub>"

Weight: 156 lbs

### Shipping Dimensions & Weight (WxHxD)

Dimensions: 33<sup>3</sup>/<sub>8</sub>" x 50<sup>7</sup>/<sub>16</sub>" x 30<sup>5</sup>/<sub>16</sub>"

Weight: 166 lbs

### Color

Stainless Steel

Fingerprint Resistant

Black Stainless Steel

Black

White

### Model #

NE59R4321SS

NE59R4321SG

NE59T4321SB

NE59T4321SW

### UPC Code

887276336336

887276336244

887276436647

887276436616