

RS28A5F61SR

SAMSUNG

27.3 cu. ft. Smart Side-by-Side Refrigerator with Family Hub™



6 Simple Truths

What's for dinner?

Food recognition lets you know what's inside your fridge, quickly plan weekly meals, search for recipes, shop for missing ingredients and preheat your oven, all from the Family Hub™.

I love entertaining friends and family.

Stream your favorite music apps on the Family Hub™ through a premium speaker.

I don't want to miss my favorite show.

Mirror shows, movies, or live sports from your Samsung TV or smartphone on the Family Hub™.

I love getting more done.

Get a notification on the Family Hub™ when the laundry is done.

I want to manage my life with ease.

See who's at the front door. Monitor multiple rooms. Adjust the thermostat all from the Family Hub™.

It's the little moments that matter.

Upload pictures or videos remotely, leave handwritten notes and set calendar reminders, all on your Family Hub™.

Available Colors



Fingerprint Resistant
Stainless Steel (shown)



Fingerprint Resistant
Black Stainless Steel



Family Hub™



Large Capacity

Design

- Large Capacity of 27.3 cu. ft.
- Modern Design
- Fingerprint Resistant Finish
- Bright LED Lighting
- Adjustable Top Freezer Shelf
- 2 Gallon Door Bins
- 2 Clear Drawers

Technology

- Family Hub™
- Door Alarm
- Water Filter Indicator

Performance

- All-Around Cooling
- Automatic In-Door Ice Maker - Stores up to 4.0 lbs of ice

Rating



ENERGY STAR® Rated:
650 kWh/yr



ADA Compliant

RS28A5F61SR

SAMSUNG

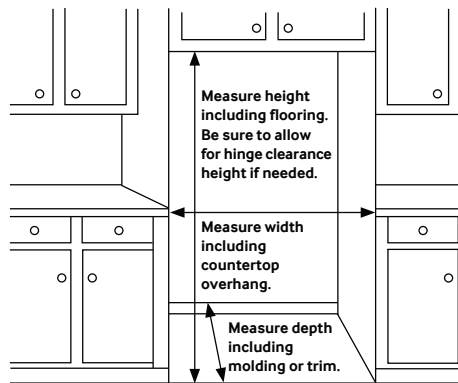
27.3 cu. ft. Smart Side-by-Side Refrigerator with Family Hub™

Installation Specifications

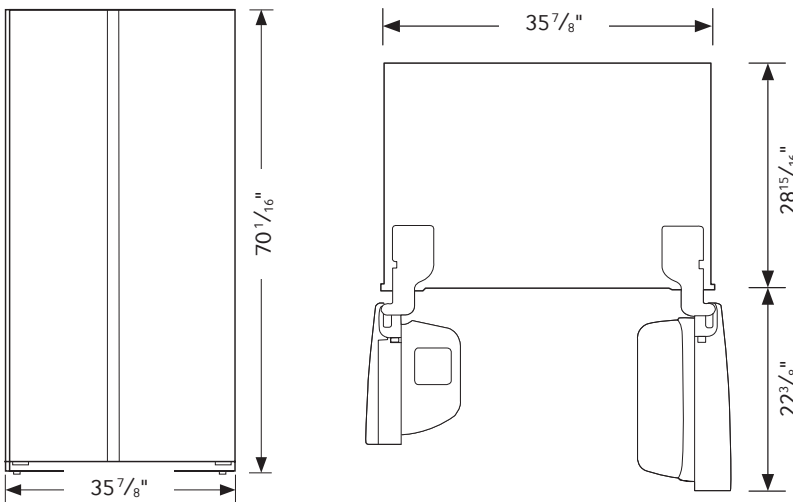
1. Measure the height, width and depth of the opening, making sure to include baseboards, molding tile, countertop overhang, etc. Check to be sure there is enough room to open the door (consider walls, islands or other obstacles when measuring).
2. Refer to illustration below to determine dimensions.
3. Allow 2.5" of clearance on hinge side of refrigerator when installing next to a wall where handle may make contact.
4. Allow 1" minimum clearance at rear for proper air circulation and water/electrical connections. Allow a 3/8" minimum clearance at sides and top for ease of installation.
5. Ensure each door and entryway in the home is wide enough for the refrigerator to be moved through easily.

For optimal usage and ability to open refrigerator doors completely, do not install next to a wall.

Please note: The following dimension and cutout information is for planning purposes only. For complete installation details, consult manual packed with product or download manual online at samsung.com.



Dimensions



Total Capacity: 27.3 cu. ft.

Refrigerator: 17.2 cu. ft.

- 4 Tempered Glass Shelves
- 2 Drawers
- 5 Door Bins
 - 2 Gallon Bins
 - 3 Door Bins
- Top LED Lighting

Freezer: 10.1 cu. ft.

- Automatic In-Door Ice Maker
- 5 Tempered Glass Shelves
- 2 Drawers
- 4 Door Bins
- Top LED Lighting

Accessories

Water Filter: HAF-QIN

Warranty

One (1) Year Parts and Labor on Refrigerator
Five (5) Years Parts and Labor on Sealed Refrigeration System Only*
Ten (10) Years Parts and Five (5) Years Labor on Digital Inverter Compressor

*Compressor, evaporator, condenser, drier and connecting tubing.

Product Dimensions & Weight

Dimensions (WxHxD with hinges, recessed handles, and doors): 35⁷/₈" x 70¹/₁₆" x 33¹/₂"

Dimensions (WxHxD without hinges and door): 35⁷/₈" x 68⁵/₈" x 28¹⁵/₁₆"

Weight: 253 lbs

Shipping Dimensions & Weight (WxHxD)

Dimensions: 37³/₄" x 75³/₈" x 35"

Weight: 260 lbs

Color

Fingerprint Resistant
Stainless Steel

Model

RS28A5F61SR

UPC Code

887276467849

Fingerprint Resistant
Black Stainless Steel

RS28A5F61SG

887276467832