

NX60T871SS

SAMSUNG

Samsung 6.0 Smart Slide-in Gas Range with Smart Dial & Air Fry



Signature Features

Smart Dial

- The Smart Dial simplifies oven settings in a single dial and intuitively learns based on your cooking preferences.

No Preheat Air Fry

- Cooking just got healthier* with No Preheat Air Fry. Using little to no oil, you can quickly prepare your favorite fried foods right in your oven. Air Fry tray included.

*As compared to deep frying.

Convection+

- Powerful convection with a heated element saves you time by cooking food fast and more evenly. Perfect for baking and roasting.

Available Colors

Standard Finishes



Fingerprint Resistant
Stainless Steel (shown)



Fingerprint Resistant
Black Stainless Steel

BESPOKE Finishes



Fingerprint Resistant
Tuscan Steel



Fingerprint Resistant
Navy Steel



White Glass



Smart Dial



No Preheat Air Fry

Features

- Smart Dial
- No Preheat Air Fry, Tray Included
- Convection+
- Illuminated Knobs
- Fingerprint Resistant Finish
- Reversible Cast-Iron Griddle
- Large Oven Capacity – 6.0 cu. ft.
- Built-In Temperature Probe
- Wok Ring
- Ready2Fit™ Guarantee

- Flexible Cooktop:
Five Burner Cooktop
 - Right Front: 22K BTU Dual Ring Brass Power Burner
 - Left Front: 16K BTU
 - Right Rear: 5K BTU
 - Left Rear: 9.5K BTU
 - Center (Oval): 10K BTU

Convenience

- Wi-Fi Connectivity
- Voice-Enabled
- Convection Auto Conversion
- Self Clean
- Child Safety Lock
- Delay Start
- Auto Oven Light
- Kitchen Timer
- Sabbath Mode

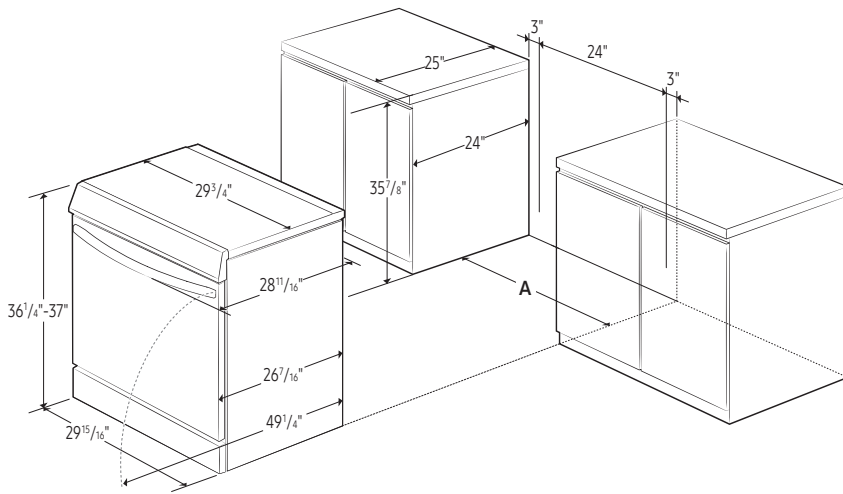


NX60T8711SS

SAMSUNG

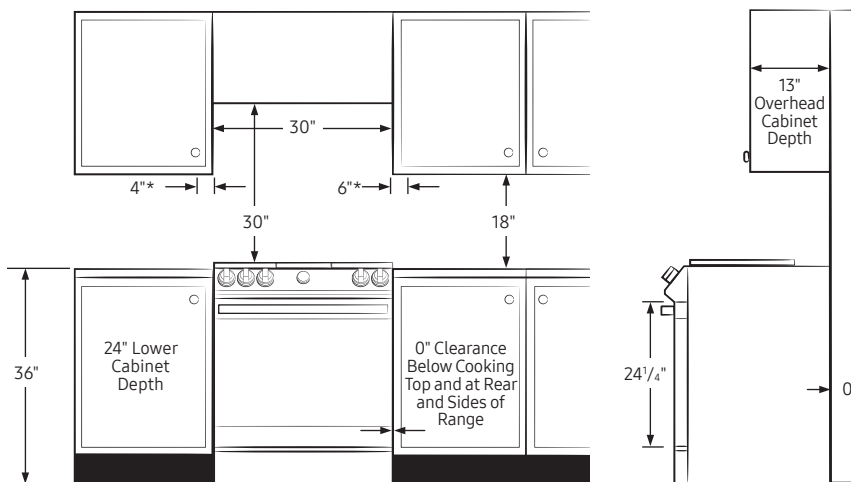
Samsung 6.0 Smart Slide-in Gas Range with Smart Dial & Air Fry

Installing Your Range



A: Cabinet opening 30"

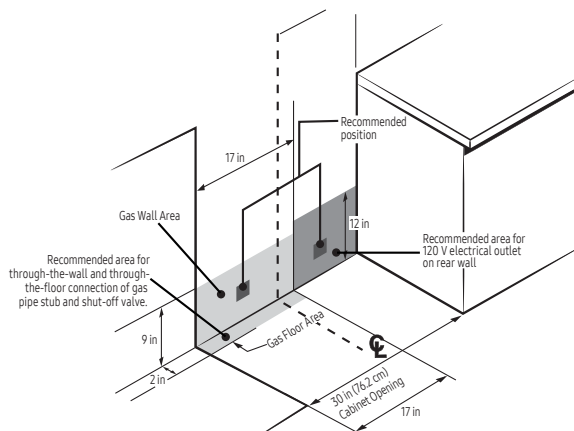
IMPORTANT: If your cabinets are over 37" high, you must install this range on a hard, heat-resistant support that raises the surface of the range so that it is about even with the countertop.



*Side clearance above cooking surface to any objects, i.e., wall.

IMPORTANT: Consult with Installation Manual for detailed instructions before installing. All ranges must be installed with the Anti-Tip device that is included.

Recommended Locations for Gas Piping and Electrical Outlets



Power Source

120V/60Hz/20A

Total Power (BTU)

62,500 BTU

Black Enamel 5-Burner Cooktop

- Right Front: 22K BTU Dual Ring, Brass
- Left Front: 16K BTU
- Right Rear: 5K BTU
- Left Rear: 9.5K BTU
- Center (Oval): 10K BTU

Oven

- Capacity: 6.0 cu. ft.
- Convection Element/Heater
- Convection Bake
- Convection Roast
- Bake
- Variable Broil: Low/High
- Air Fry
- Bread Proof
- Dehydrate

Warranty

One (1) Year Parts and Labor

Product Dimensions & Weight (WxHxD)

Actual Oven Dimensions:

24¹³/₁₆" x 21⁵/₈" x 19⁵/₈"

Outside Dimensions:

29¹⁵/₁₆" x 36¹/₄-37" (Adjustable) x 28¹¹/₁₆"

Weight: 220 lbs

Shipping Dimensions & Weight (WxHxD)

Dimensions:

33¹/₁₆" x 41³/₄" x 30⁵/₁₆"

Weight: 246 lbs

Standard Finishes

Fingerprint Resistant
Stainless Steel

Model

NX60T8711SS

UPC Code

887276409139

Fingerprint Resistant
Black Stainless Steel

NX60T8711SG

887276409122

BESPOKE Finishes

Fingerprint Resistant
Tuscan Steel

NX60T8711ST

887276409269

Fingerprint Resistant
Navy Steel

NX60A8711QN

887276585949

White Glass

NX60BB871112

887276594743

Actual color may vary. Design, specifications, and color availability are subject to change without notice. Non-metric weights and measurements are approximate.

©2021 Samsung Electronics America, Inc. 85 Challenger Road, Ridgefield Park, NJ 07660. Tel: 800-SAMSUNG. samsung.com. Samsung is a registered trademark of Samsung Electronics Co. Ltd.

