

# NX58R9311SS

SAMSUNG

## Samsung 5 Burner Slide-In Gas Range

5.8 cu. ft. Capacity



### Signature Features

#### 5.8 cu. ft. Large Capacity

- Cook multiple dishes at once or accommodate larger items for the holidays

#### Powerful, Flexible Cooktop

- Powerful & Flexible Cooktop cooks more, faster with 5 specialized round burners, including a 17,000 BTU Power Burner that provides higher heat for rapid boil

#### Glass Touch Controls

- Premium touch controls that are easy to use

### Available Color



Stainless Steel (shown)



Powerful, Flexible Cooktop



Glass Touch Controls

### Features

- Powerful, Flexible Cooktop – 5 Gas Burners
  - Right Front: 17K BTU
  - Left Front: 15K BTU
  - Right Rear: 5K BTU
  - Left Rear: 9.5K BTU
  - Center: 9.5K BTU (Round)
- Large Oven Capacity – 5.8 cu. ft.
- Glass Touch Controls
- Slide-In Design
- 5,000 BTU Simmer Burner
- Wide View Window
- Cast Iron 3-Piece Grates
- Storage Drawer
- Flat Handle

### Convenience

- Self Clean
- 2 Chrome Oven Racks
- Auto Oven Light
- Keep Warm
- Sabbath Mode
- Kitchen Timer
- Delay Start
- Auto Shut-Off Option
- Child Safety Lock

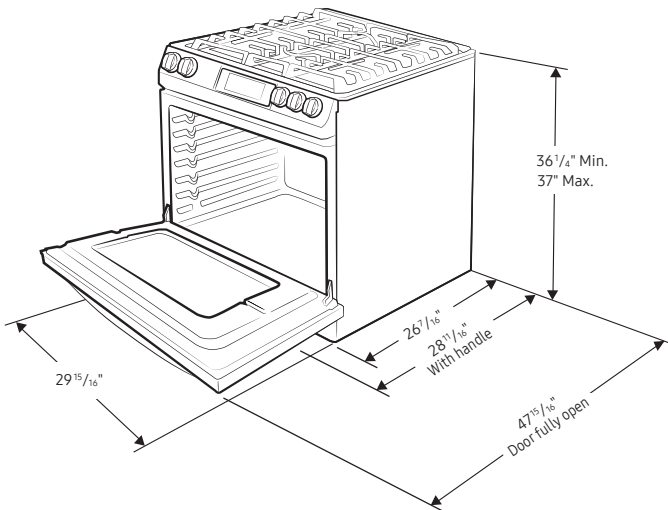
# NX58R9311SS

SAMSUNG

## Samsung 5 Burner Slide-In Gas Range

5.8 cu. ft. Capacity

### Product Dimensions



### Total Power (BTU)

56,000 BTU

### Power Source

120V/60 Hz/20A

### Black Enamel 5-Burner Cooktop

- Right Front: 17K BTU
- Left Front: 15K BTU
- Right Rear: 5K BTU
- Left Rear: 9.5K BTU
- Center: 9.5K BTU – Round

### Oven

- Hidden Bake Element
- Bake: 175°F - 550°F
- Bake Burner: 18K BTU
- Broil Burner: 16.5K BTU
- Variable Broil: Low/Hi (446°F - 587°F)
- Keep Warm
- Sabbath Mode

### Storage Drawer

- Capacity: 0.7 cu. ft.

### Warranty

One (1) Year Parts and Labor

### Product Dimensions & Weight (WxHxD)

Actual Oven Dimensions:

25" x 19" x 21<sup>1</sup>/<sub>8</sub>"

Outside Dimensions:

29<sup>15</sup>/<sub>16</sub>" x 36<sup>1</sup>/<sub>4</sub>-37" (Adjustable) x 28<sup>1</sup>/<sub>16</sub>"

Weight: 189 lbs

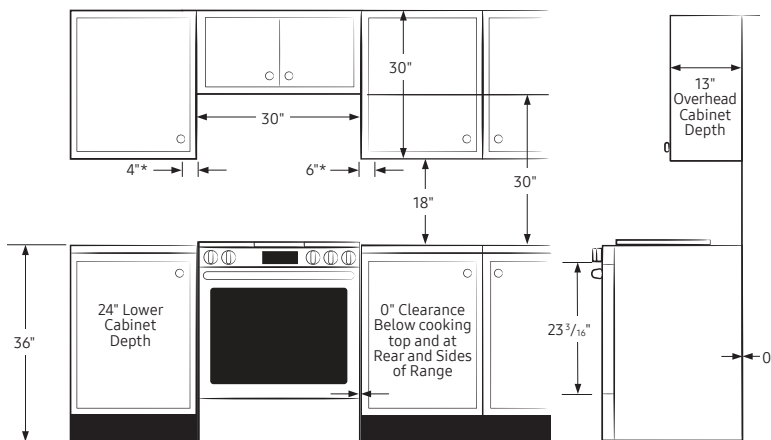
### Shipping Dimensions & Weight (WxHxD)

Dimensions:

33<sup>1</sup>/<sub>16</sub>" x 41<sup>3</sup>/<sub>4</sub>" x 30<sup>5</sup>/<sub>16</sub>"

Weight: 214 lbs

### Installing Your Range

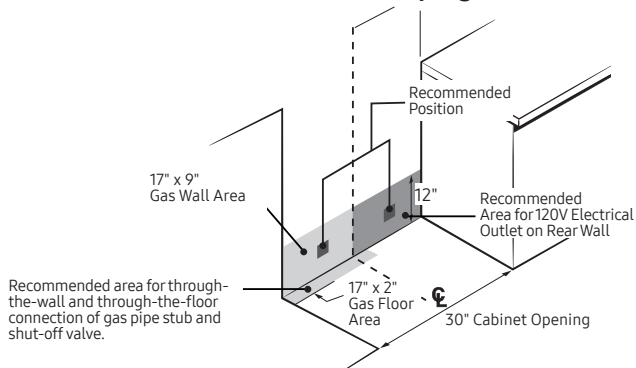


\* Side clearance above cooking surface to any objects, i.e., wall

**IMPORTANT:** Consult with Installation Manual for detailed instructions before installing.

All ranges must be installed with the Anti-Tip device that is included.

### Recommended Locations for Gas Piping and Electrical Outlets



Color

Stainless Steel

Model #

NX58R9311SS

UPC Code

887276345260

Actual color may vary. Design, specifications, and color availability are subject to change without notice. Non-metric weights and measurements are approximate.

©2019 Samsung Electronics America, Inc., 85 Challenger Road, Ridgefield Park, NJ 07660. Tel: 800-SAMSUNG. samsung.com. Samsung is a registered trademark of Samsung Electronics Co., Ltd.