

RF90F23A

SAMSUNG

23 cu. ft. Bespoke Counter Depth 4-Door French Door Refrigerator with AI Family Hub™+ in Charcoal Glass and Stainless Steel



This product is available in fixed color(s) only. Panels can be purchased separately and changed in any of the colors shown below. AI Family Hub™ Panel is not interchangeable.

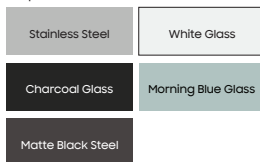
Compatible Panels:

Top Left Panel: RA-F18DU4**
Middle Panel: RA-F36DMM**
Bottom Panel: RA-F36DB4**

Panel Colors:

Stainless Steel: QL
Charcoal Glass: 33
Matte Black Steel: MT
White Glass: 12
Morning Blue Glass: CM

Bespoke Panel Color Selection



Signature Features

Family Hub™+

Family Hub™+ with the industry's largest screen* lets you share pictures, stream music and videos, access recipes, and more, all from the fridge.

AI Vision Inside™

AI Vision Inside™ automatically recognizes what's in your fridge, so you always know what's inside. Access a list of what's in your fridge through the SmartThings app or Family Hub™+ screen.

Customizable Door Colors

With customizable door panels, choose from 5 colors and 2 finishes to create a space that fits your style.

Beverage Center™

Enjoy plenty of refreshingly cold and flavored water. The Beverage Center™ is inside the fridge, so it is less likely to get contaminated. As well as a water dispenser, it has a dishwasher-safe¹ and BPA-free² AutoFill Water Pitcher for purified water, which can be infused with fruits and herbs.

¹Tested for 125 cycles in accordance with the "Mechanical dishwashing resistance of utensils" test method (BS EN 12875-1:2005) and certified as dishwasher safe by SGS.

²Bisphenol A (BPA) is a chemical found in polycarbonate plastics and epoxy resins, which are often used in food and beverage containers, and has been linked with possible adverse health effects.

Bespoke 4-Door French Door Standard Color Models



Charcoal Glass Top and Family Hub™ Panels with Stainless Steel Bottom Panels



White Glass - All Panels



Charcoal Glass Top and Family Hub™ Panels with Matte Black Steel Bottom Panels



Beverage Center™



Auto Open Door

Design

- Customizable Door Colors
- Beverage Center™
- Counter Depth
- Slide-In Shelf
- LED Lighting
- Gallon Door Bin

Technology

- Family Hub™+
- AI Vision Inside™
- Wi-Fi Enabled
- Auto Open Door
- Power Cool & Power Freeze
- Door Alarm
- Water Filter Indicator

Performance

- FlexZone™ Drawer
- Dual Auto Ice Maker with Ice Bites™ and Cubed Ice
- Extra-Large Flexible Storage
- 2 Crisper Drawers
- Twin Cooling Plus™
- Metal Cooling

Rating



ENERGY STAR® rated:
618 kWh/yr



RF90F23A

SAMSUNG

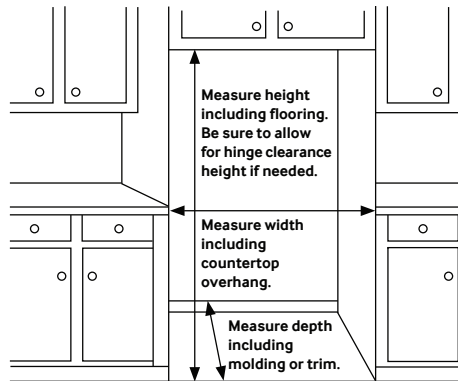
23 cu. ft. Bespoke Counter Depth 4-Door French Door Refrigerator with AI Family Hub™+ in Charcoal Glass and Stainless Steel

Installation Specifications

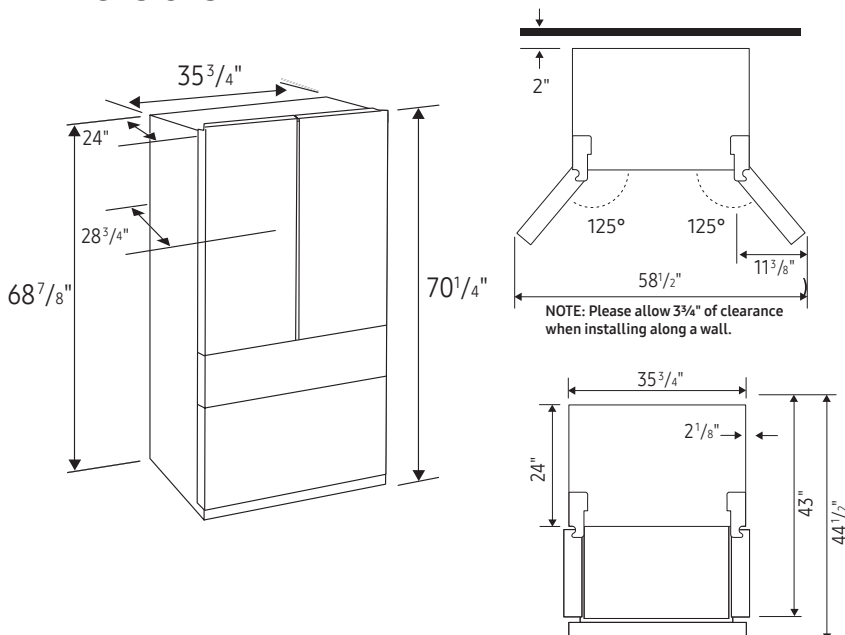
1. Measure the height, width and depth of the opening, making sure to include baseboards, molding tile, countertop overhang, etc. Check to be sure there is enough room to open the door (consider walls, islands or other obstacles when measuring).
2. Refer to illustration below to determine dimensions.
3. Allow 3.75" of clearance on hinge side of refrigerator when installing next to a wall where handle may make contact.
4. Allow 2" minimum clearance at rear for proper air circulation and water/electrical connections. Allow a 3/8" minimum clearance at sides and top for ease of installation.
5. Ensure each door and entryway in the home is wide enough for the refrigerator to be moved through easily.

For optimal usage and ability to open refrigerator doors completely, do not install next to a wall.

Please note: The following dimensions and cutout information is for planning purposes only. For complete installation details, consult manual packed with product, or download manual online at samsung.com.



Dimensions



Total Capacity: 22.5 cu. ft.

Refrigerator: 13.2 cu. ft.

- 1 Slide-In Shelf, 3 Tempered Glass Spill-Proof Shelves
- 2 Clear Drawers, Including Crisper+
- 6 Door Bins
 - Right: 1 Gallon Bin, 2 Regular Bins
 - Left: 3 Regular Bins
- Surface Lighting

FlexZone™ Drawer: 2.5 cu. ft.

- 5 Temperature Zones
 - Soft Freeze (23°F)
 - Meat/Fish (30°F)
 - Cold Drinks (34°F)
 - Deli/Snacks (37°F)
 - Wine/Party Dishes (41°F)
- High Efficiency LED Lighting

Freezer: 6.8 cu. ft.

- Dual Ice Maker in Freezer (Ice Bites™ and Cubed Ice)
- Ice Bucket with Cover and 1 Scoop
- Produces up to 5.3 lbs ice/day; stores up to 7.3 lbs
- High Efficiency LED Lighting

Accessories

Water Filter: HAF-QIN

Warranty

One (1) Year Parts and Labor on Refrigerator
Five (5) Years Parts and Labor on Sealed Refrigeration System Only*
Ten (10) Years Parts and Five (5) Years Labor on Digital Inverter Compressor

*Compressor, evaporator, condenser, drier and connecting tubing.

Product Dimensions

Dimensions (WxHxD with hinges and doors):
35 3/4" x 70 1/4" x 28 3/4"

Dimensions (WxHxD without hinges and doors):
35 3/4" x 68 7/8" x 24"

Shipping Dimensions (WxHxD)

Dimensions: 38 1/4" x 75 3/4" x 30 5/8"

Color	Model #	UPC Code	Product & Shipping Weight (lbs)
Charcoal Glass Top and Family Hub™ Panels with Stainless Steel Bottom Panels	RF90F23AECR	887276954615	339.5 348.3
White Glass	RF90F23AEW	887276954530	343.9 352.7
Charcoal Glass Top and Family Hub™ Panels with Matte Black Steel Bottom Panels	RF90F23AECE	887276954516	339.5 348.3

Bespoke Panel Color Selection

Stainless Steel, Charcoal Glass, Matte Black Steel, White Glass, Morning Blue Glass