

# RF23DB9750

SAMSUNG

## Bespoke Counter Depth 4-Door Flex™ Refrigerator 23 cu. ft. with Beverage Zone™ and Auto Open Door



### Signature Features

#### Color Customization

Customize the design of your refrigerator with changeable door panels. Choose from a variety of colors and two finishes to create a space that fits your style.

#### Beverage Zone™

Enjoy a fridge within your fridge with two temperature settings, perfect for beverages, desserts, and more. Choose from an internal dispenser or a built-in AutoFill Water Pitcher that automatically refills, with the option to infuse with a flavor.

#### Auto Open Door

Open the refrigerator with ease, even if your hands are full, with Auto Open Door. With just a light touch of the door sensor, the refrigerator door will fully open.

#### Dual Ice Maker

Select from cubed ice or Whisky Ball Ice that chills your drink faster.\*

\*Compared to cubed ice.

### Available Color

 Fingerprint Resistant  
Stainless Steel

Bespoke Custom Panel-Ready Color Selections

|                 |                    |                  |                      |
|-----------------|--------------------|------------------|----------------------|
| Stainless Steel | Navy Steel         | Pink Glass       | Emerald Green Steel  |
| White Glass     | Morning Blue Glass | Clementine Glass | Sunrise Yellow Glass |
| Charcoal Glass  | Matte Black Steel  | Matte Grey Glass |                      |



Beverage Zone™



Auto Open Door

### Design

- Bespoke Design
- Beverage Zone™
- Counter Depth
- Slide-In Shelf
- LED Lighting
- Gallon Door Bin

### Technology

- Wi-Fi Enabled
- Auto Open Door
- UV Deodorizing Filter
- Power Cool & Power Freeze
- Door Alarm
- Water Filter Indicator

### Performance

- FlexZone™
- Dual Auto Ice Maker with Whisky Ball Ice and Cubed Ice
- Extra-Large Flexible Storage
- 2 Crisper Drawers
- Triple Cooling
- Metal Cooling



### Rating



ENERGY STAR® rated:  
634 kWh/yr

# RF23DB9750

# SAMSUNG

## Bespoke Counter Depth 4-Door Flex™ Refrigerator 23 cu. ft. with Beverage Zone™ and Auto Open Door

### Installation Specifications

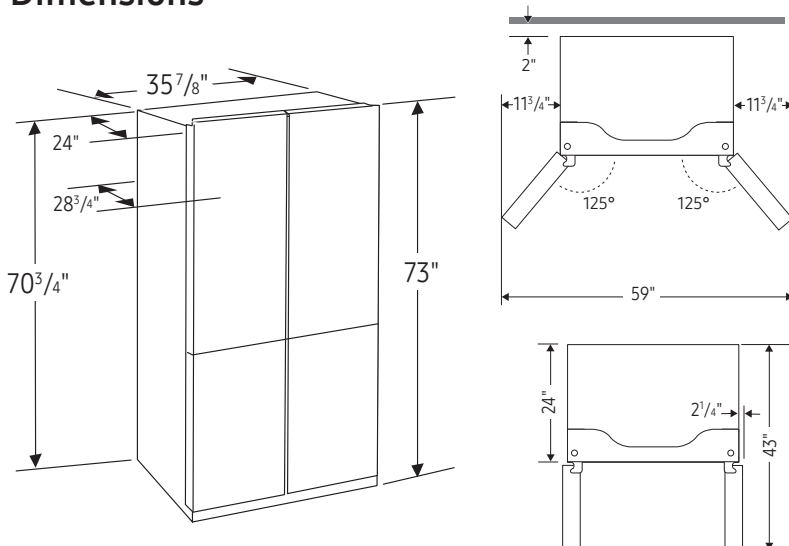
1. Measure the height, width and depth of the opening, making sure to include baseboards, molding tile, countertop overhang, etc. Check to be sure there is enough room to open the door (consider walls, islands or other obstacles when measuring).
2. Refer to illustrations below to determine dimensions.
3. Allow 2.5" of clearance on hinge side of refrigerator when installing next to a wall.
4. Allow 2" minimum clearance at rear for proper air circulation and water/electrical connections. Allow a 3/8" minimum clearance at sides and top for ease of installation.
5. Ensure each door and entryway in the home is wide enough for the refrigerator to be moved through easily.

For optimal usage and ability to open refrigerator doors completely, do not install next to a wall.

Please note: The following dimensions and cutout information is for planning purposes only. For complete installation details, consult manual packed with product or download manual online at [samsung.com](http://samsung.com).



### Dimensions



**Total Capacity: 22.5 cu. ft.**

**Refrigerator: 13.7 cu. ft.**

- 1 Slide-In Shelf, 3 Tempered Glass Spill-Proof Shelves
- 2 Clear Crisper Drawers
- 6 Door Bins with 1 Gallon Door Bin
- LED Lighting

**Freezer: 4.4 cu. ft.**

- Dual Ice Maker in Freezer (Whisky Ball Ice or Cubed Ice)  
2 Ice Buckets with Cover and 1 Scoop
- 4 Slide-Out Shelves
- 6 Door Bins
- LED Lighting

**FlexZone™: 4.4 cu. ft.**

- 5 Temperature Settings: Freeze, Soft Freeze, Meat/Fish, Fruit/Veggies, Beverage

### Accessories

Water Filter: HAF-QIN

### Warranty

One (1) Year Parts and Labor on Refrigerator  
Five (5) Years Parts and Labor on Sealed Refrigeration System Only\*  
Ten (10) Years Parts and Five (5) Years Labor on Digital Inverter Compressor

\*Compressor, evaporator, condenser, drier and connecting tubing.

### Product Dimensions & Weight

Dimensions (WxHxD with hinges and doors):  
35<sup>7</sup>/<sub>8</sub>" x 73" x 28<sup>3</sup>/<sub>4</sub>"

Dimensions (WxHxD without hinges and doors):  
35<sup>7</sup>/<sub>8</sub>" x 70<sup>3</sup>/<sub>4</sub>" x 24"

Weight: 339.5 lbs

### Shipping Dimensions & Weight (WxHxD)

Dimensions: 38<sup>1</sup>/<sub>4</sub>" x 78<sup>5</sup>/<sub>8</sub>" x 30<sup>5</sup>/<sub>8</sub>"

Weight: 359.4 lbs

### Color

Fingerprint Resistant  
Stainless Steel

### Model #

RF23DB9750QLAA

### UPC Code

887276826073

### Bespoke Panel Color Selection

Stainless Steel, White Glass, Charcoal Glass, Navy Steel, Morning Blue Glass, Matte Black Steel, Pink Glass, Clementine Glass, Matte Grey Glass, Emerald Green Steel, Sunrise Yellow Glass