

# RF28MFEDES8

SAMSUNG

## Samsung French Door Refrigerator with CoolSelect Pantry™

28 cu. ft. Capacity



### Signature Features

#### Twin Cooling Plus®

- Keeps food fresher longer – Twin Cooling Plus® humidity levels up to 3.6 x higher than single cooling.
- Refrigerator air is kept at higher, near-commercial-grade humidity levels to keep perishable fruits and vegetables fresher longer.
- Drier freezer air means less freezer burn for better-tasting frozen foods.

#### Ice Master

- Produces 10 lbs. of ice per day and stores 4.2 lbs.
- Space-saving design leaves more room in the refrigerator.

#### CoolSelect Pantry™

- Provides additional temperature control for your food storage needs with Deli, Fresh and Chilled options.

### Available Color



Platinum



Ice Master



CoolSelect Pantry™

### Features

- Large Capacity – 28 cu. ft.
- ENERGY STAR®-Compliant
- Premium External Filtered Water and Ice Dispenser
- High-Efficiency Top and Side LED Lighting
- EZ-Open Handle™ on Freezer Door
- Adjustable Shelf for Tall, Oversized Items
- Two Humidity-Controlled Crispers
- Tempered Glass Spill-Proof Shelves
- Auto Pull-Out Upper Freezer Drawer
- Easy-to-Access Water Filter

### Convenience

- Child Lock
- CoolTight Door
- Door Alarm
- Water Filter Indicator

### Rating



ENERGY STAR®-rated:  
CEE Tier 1  
625 kWh/yr

# RF28MFEDES8

# SAMSUNG

## Samsung French Door Refrigerator with CoolSelect Pantry™

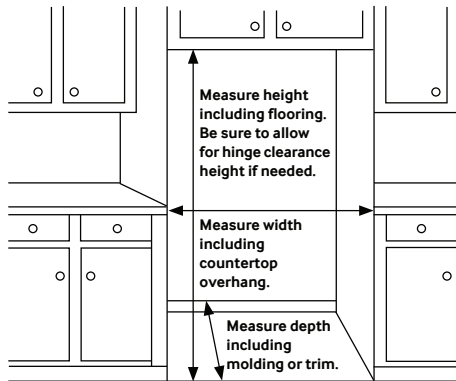
28 cu. ft. Capacity

### Installation Specifications

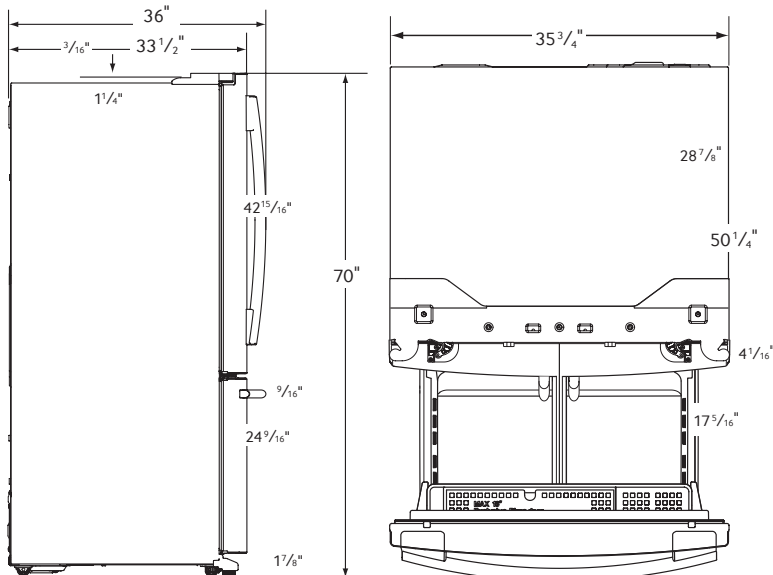
1. Measure the height, width and depth of the opening, making sure to include baseboards, molding tile, countertop overhang, etc. Check to be sure there is enough room to open the door (consider walls, islands or other obstacles when measuring).
2. Refer to illustration below to determine dimensions.
3. Allow 2.5" of clearance on hinge side of refrigerator when installing next to a wall where handle may make contact.
4. Allow 1" minimum clearance at rear for proper air circulation and water/electrical connections. Allow a 3/8" minimum clearance at sides and top for ease of installation.
5. Ensure each door and entryway in the home is wide enough for the refrigerator to be moved through easily.

For optimal usage and to be able to open refrigerator doors completely, do not install next to a wall.

Please note: The following dimension and cutout information is for planning purposes only. For complete installation details, consult manual packed with product, or download manual online at [samsung.com](http://samsung.com).



### Dimensions



**Total Capacity: 28.07 cu. ft.**

**Refrigerator: 19.14 cu. ft.**

- Premium External Filtered Water and Ice Dispenser
- Ice Master Ice Maker
- CoolSelect Pantry™ with Temperature Control – Deli (41°C), Fresh (38°F) and Chilled (32°F) Options
- 2 Humidity-Controlled Crispers
- 5 Tempered Glass Spill-Proof Shelves
- Adjustable Shelf for Tall, Oversized Items
- 6 Door Bins
  - Right Door: 3 Gallon Bins
  - Left Door: 3 Regular Bins
- High-Efficiency Top and Side LED Lighting

**Freezer: 8.93 cu. ft.**

- EZ-Open Handle™
- 1 Drawer Divider
- High-Efficiency LED Lighting

### Warranty

One (1) Year Parts and Labor on Refrigerator  
Five (5) Years Parts and Labor on Sealed Refrigeration System Only\*  
Ten (10) Years Parts and Five (5) Years Labor on Digital Inverter Compressor

\*Compressor, evaporator, condenser, drier and connecting tubing.

### Product Dimensions & Weight

Dimensions (WxHxD with hinges, handles and doors):  
35 3/4" x 70" x 36"

Dimensions (WxHxD without hinges and door):  
35 3/4" x 68 7/8" x 28 7/8"

Dimensions (WxHxD with hinge and door, no handle):  
35 3/4" x 70" x 33 1/2"

Weight: 326.3 lbs.

### Shipping Dimensions & Weight (WxHxD)

Dimensions: 38 5/8" x 76 5/8" x 36 1/4"

Weight: 352.7 lbs.

Color	Model #	UPC Code
Platinum	RF28MFEDES8	887276230146