

RF23HCEDBSR

22.5 cu. ft. Counter Depth French Door Refrigerator with CoolSelect Pantry™

Features

- 3-Door Counter Depth Design
- Large Capacity – 22.5 cu. ft.
- Twin Cooling Plus®
- ENERGY STAR®-Compliant
- Ice Master Ice Maker in the Refrigerator
- CoolSelect Pantry™ with Temperature Control
- Premium External Filtered Water and Ice Dispenser
- High-Efficiency Top and Side LED Lighting
- EZ-Open Handle™ on Freezer Door
- Adjustable Shelf for Tall, Oversized Items
- Two Humidity-Controlled Crispers
- Tempered Glass Spill-Proof Shelves
- Auto Pull-Out Upper Freezer Drawer
- Easy-to-Access Water Filter

Convenience

- CoolTight Door
- Door Alarm
- Water Filter Indicator



ENERGY STAR®-rated:
699 kWh/yr



Ice Master



CoolSelect Pantry™ with Temperature Control

Available Colors



Stainless Steel



Black Stainless Steel



White

Signature Features

SLEEK, BUILT-IN LOOK

- Stylish, counter-depth design allows for more workspace in the kitchen.
- Sleek, built-in look enhances overall kitchen design.

TWIN COOLING PLUS®

- Keeps food fresher longer – Twin Cooling Plus® humidity levels up to 3.6x higher than single cooling.
- Refrigerator air is kept at higher, near-commercial-grade humidity levels to keep perishable fruits and vegetables fresher longer.
- Drier freezer air means less freezer burn for better-tasting frozen foods.

ICE MASTER

- Our Ice Master makes 5.2 lbs. of ice per day with storage for nearly 2.7 lbs.
- Space-saving design leaves more room in the refrigerator.

COOLSELECT PANTRY™

- Provides additional temperature control for your food storage needs with Deli, Fresh and Chilled options.



Ranked **“Highest in Customer Satisfaction with French Door Refrigerators, in a Tie.”***

—J.D. Power

SAMSUNG

RF23HCEDBSR

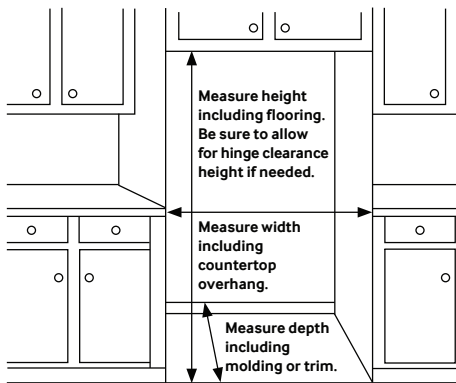
22.5 cu. ft. Counter Depth French Door Refrigerator with CoolSelect Pantry™

Installing Your Refrigerator

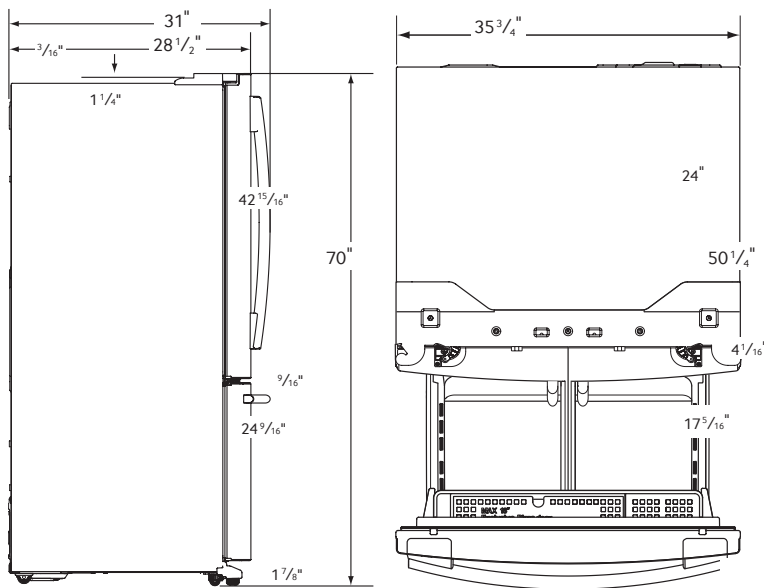
1. Measure the height, width and depth of the opening, making sure to include baseboards, molding tile, countertop overhang, etc. Check to be sure there is enough room to open the door (consider walls, islands or other obstacles when measuring).
2. Refer to illustration below to determine dimensions.
3. Allow 2.5" of clearance on hinge side of refrigerator when installing next to a wall where handle may make contact.
4. Allow 1" minimum clearance at rear for proper air circulation and water/electrical connections. Allow a 3/8" minimum clearance at sides and top for ease of installation.
5. Ensure each door and entryway in the home is wide enough for the refrigerator to be moved through easily.

For optimal usage and to be able to open refrigerator doors completely, do not install next to a wall.

Please note: The following dimension and cutout information is for planning purposes only. For complete installation details, consult manual packed with product, or download manual online at samsung.com.



Dimensions



Total Capacity: 22.5 cu. ft.

Refrigerator: 15.7 cu. ft.

- Premium External Filtered Water and Ice Dispenser
- Ice Master Ice Maker
- CoolSelect Pantry™ with Temperature Control – Deli (41°C), Fresh (38°F) and Chilled (32°F) Options
- 2 Humidity-Controlled Crispers
- 5 Tempered Glass Spill-Proof Shelves
- Adjustable Shelf for Tall, Oversized Items
- 6 Door Bins
 - Right Door: 3 Gallon Bins
 - Left Door: 3 Regular Bins
- High-Efficiency Top and Side LED Lighting

Freezer: 6.8 cu. ft.

- EZ-Open Handle™
- 1 Drawer Divider
- High-Efficiency LED Lighting

Accessories

Water Filter: HAF-CIN

Warranty

One (1) Year Parts and Labor on Refrigerator

Five (5) Years Parts and Labor on Sealed Refrigeration System Only*

Ten (10) Years Parts and Five (5) Years Labor on Digital Inverter Compressor

*Compressor, evaporator, condenser, drier, connecting tubing.

Product Dimensions & Weight

Dimensions (WxHxD with hinges, handles and doors): 35 3/4" x 70" x 31"

Dimensions (WxHxD without hinges and door): 35 3/4" x 68 7/8" x 24"

Dimensions (WxHxD with hinge and door, no handle): 35 3/4" x 70" x 28 1/2"

Weight: 297.62 lbs.

Shipping Dimensions & Weight (WxHxD)

Dimensions: 38 1/4" x 76 5/8" x 31 1/4"

Weight: 321.87 lbs.

Color

Stainless Steel

Black Stainless Steel

White

Model

RF23HCEDBSR

RF23HCEDBSG

RF23HCEDBWW

UPC Code

887276966106

887276265025

887276967646

SAMSUNG

*Samsung received the highest numerical score for French door refrigerators in a tie in the proprietary J.D. Power 2014 Kitchen Appliance StudySM. Study based on 15,380 total responses measuring 10 French door refrigerator brands and measures opinions of consumers about their new appliance purchased in the past 24 months. Proprietary study results are based on experiences and perceptions of consumers surveyed in January-March 2014. Your experiences may vary. Visit jdpower.com.

Actual color may vary. Design, specifications, and color availability are subject to change without notice. Non-metric weights and measurements are approximate.

©2018 Samsung Electronics America, Inc. 85 Challenger Road, Ridgefield Park, NJ 07660. Tel: 800-SAMSUNG. samsung.com. Samsung is a registered trademark of Samsung Electronics Co. Ltd.