

# RF263TEAESR

25 cu. ft. French Door Refrigerator with External Water & Ice Dispenser plus Dual Ice Maker

## Features

- Large Capacity – 25 cu. ft.<sup>1</sup>
- Ice Master Ice Maker in the Refrigerator
- Additional Filtered Ice Maker in the Freezer
- Twin Cooling Plus®
- ENERGY STAR®-Compliant
- High-Efficiency LED Lighting
- Tall and Wide External Filtered Water and Ice Dispenser
- CoolSelect Pantry™ with Temperature Control
- Power Freeze and Power Cool Options
- Two Humidity-Controlled Crispers
- Tempered Glass Spill-Proof Shelves
- Gallon Door Bins
- EZ-Open Handle™ on Freezer Door
- Auto Pull-Out Upper Freezer Drawer

## Convenience

- CoolTight Door
- Door Alarm
- Water Filter Indicator
- Removable Ice Caddy



French Door Design



CoolSelect Pantry™ with Temperature Control



**ENERGY STAR®-rated:** CEE Tier 2  
637 kWh/yr

## Available Colors



Stainless Steel



Black Stainless Steel

## Signature Features

### ICE MASTER

- Our Ice Master paired with in-freezer Ice Maker makes nearly 12 lbs. of ice per day with storage for nearly 10 lbs. of ice.<sup>2</sup>

### COOLSELECT PANTRY™

- Provides additional temperature control for your food storage needs with Deli, Fresh and Chilled options.

### TWIN COOLING PLUS®

- Refrigerator air is kept at higher, near-commercial-grade humidity levels to keep perishable fruits and vegetables fresher longer.
- Drier freezer air means less freezer burn for better-tasting frozen foods.

<sup>1</sup> 24.6 cu. ft. measured as per Department of Energy.

<sup>2</sup> Actual Dual Ice Maker production and storage quantities are 11.5 lbs. and 9.7 lbs. respectively.



**Ranked "Highest in Customer Satisfaction with French Door Refrigerators, in a Tie."\***

—J.D. Power

**SAMSUNG**

# RF263TEAESR

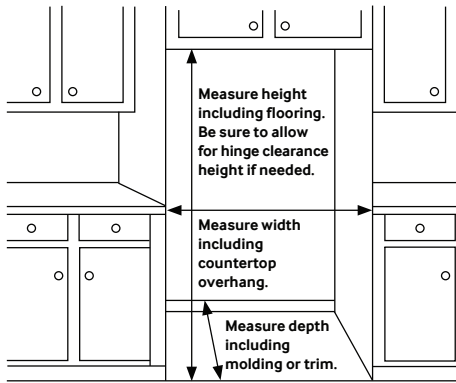
25 cu. ft. French Door Refrigerator with External Water & Ice Dispenser plus Dual Ice Maker

## Installing Your Refrigerator

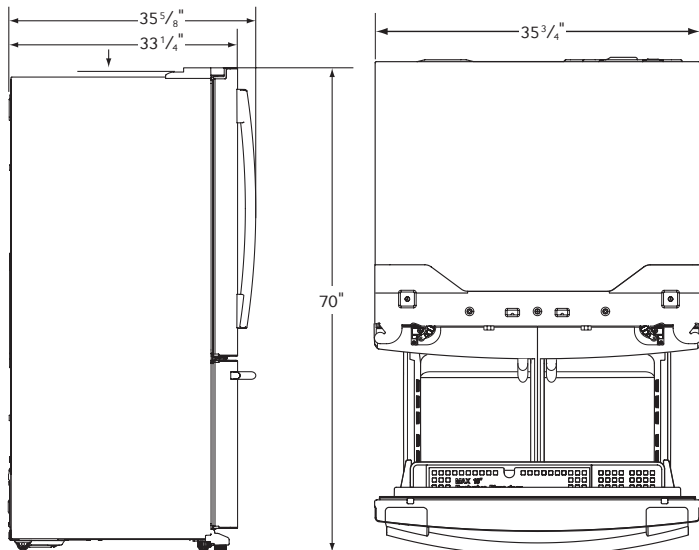
1. Measure the height, width and depth of the opening, making sure to include baseboards, molding tile, countertop overhang, etc. Check to be sure there is enough room to open the door (consider walls, islands or other obstacles when measuring).
2. Refer to illustration below to determine dimensions.
3. Allow 2.5" of clearance on hinge side of refrigerator when installing next to a wall where handle may make contact.
4. Allow 1" minimum clearance at rear for proper air circulation and water/electrical connections. Allow a 3/8" minimum clearance at sides and top for ease of installation.
5. Ensure each door and entryway in the home is wide enough for the refrigerator to be moved through easily.

**For optimal usage and to be able to open refrigerator doors completely, do not install next to a wall.**

Please note: The following dimension and cutout information is for planning purposes only. For complete installation details, consult manual packed with product, or download manual online at [samsung.com](http://samsung.com).



## Dimensions



## Total Capacity: 24.6 cu. ft.

### Refrigerator: 16.6 cu. ft.

- Tall and Wide External Filtered Water and Ice Dispenser
- Ice Master Ice Maker
- CoolSelect Pantry™ with Temperature Control
- 2 Humidity-Controlled Crispers
- 5 Tempered Glass Spill-Proof Shelves
- 6 Clear Door Bins
  - Right Door: 3 Gallon Bins
  - Left Door: 3 Door Bins
- High-Efficiency LED Lighting

### Freezer: 8.0 cu. ft.

- EZ-Open Handle™
- 1 Large Opaque Bin with 2 Dividers
- Filtered Ice Maker
- Auto Pull-Out Drawer
- High-Efficiency LED Lighting

## Accessories

Water Filter: HAF-CIN

## Warranty

One (1) Year Parts and Labor on Refrigerator

Five (5) Years Parts and Labor on Sealed Refrigeration System Only\*

Ten (10) Years Parts and Five (5) Years Labor on Digital Inverter Compressor

\*Compressor, evaporator, condenser, drier, connecting tubing.

## Product Dimensions & Weight

Dimensions (WxHxD with hinges, handles and doors):  
35<sup>3</sup>/<sub>4</sub>" x 70" x 35<sup>5</sup>/<sub>8</sub>"

Dimensions (WxHxD without hinges and door):  
35<sup>3</sup>/<sub>4</sub>" x 68<sup>5</sup>/<sub>8</sub>" x 29<sup>1</sup>/<sub>4</sub>"

Dimensions (WxHxD with hinge and door, no handle):  
35<sup>3</sup>/<sub>4</sub>" x 70" x 33<sup>1</sup>/<sub>4</sub>"

Weight: 308.7 lbs.

## Shipping Dimensions & Weight (WxHxD)

Dimensions: 38<sup>5</sup>/<sub>8</sub>" x 75<sup>3</sup>/<sub>4</sub>" x 36<sup>1</sup>/<sub>4</sub>"

Weight: 335.1 lbs.

Color	Model #	UPC Code
Stainless Steel	RF263TEAESR	036725590007
Black Stainless	RF263TEAESG	887276117799

**SAMSUNG**

\*Samsung received the highest numerical score for French door refrigerators in a tie in the proprietary J.D. Power 2014 Kitchen Appliance Study<sup>SM</sup>. Study based on 15,380 total responses measuring 10 French door refrigerator brands and measures opinions of consumers about their new appliance purchased in the past 24 months. Proprietary study results are based on experiences and perceptions of consumers surveyed in January-March 2014. Your experiences may vary. Visit [jdpower.com](http://jdpower.com).

Actual color may vary. Design, specifications, and color availability are subject to change without notice. Non-metric weights and measurements are approximate.

©2018 Samsung Electronics America, Inc. 85 Challenger Road, Ridgefield Park, NJ 07660. Tel: 800-SAMSUNG. [samsung.com](http://samsung.com). Samsung is a registered trademark of Samsung Electronics Co. Ltd.