

RF28R6222WW

SAMSUNG

28 cu. ft. Smart 3-Door French Door Refrigerator with AutoFill Water Pitcher



Signature Features

AutoFill Water Pitcher

A built-in pitcher that automatically refills with filtered water and the option to infuse with a flavor of your choice.

Twin Cooling Plus®

Independent fridge and freezer controls keep food fresher longer.

CoolSelect Pantry™

Full-width drawer with three temperature control settings to chill or defrost food to ideal temperatures.

Ice Max™

Large capacity, stores up to 4.2 lbs of ice.

Wi-Fi Enabled

Use your smartphone to control the temperature and monitor your refrigerator remotely.*

*Available on Android and iOS devices. A Wi-Fi connection and a Samsung account are required.

Available Color



White



AutoFill Water Pitcher



Twin Cooling Plus®

Convenience

- CoolSelect Pantry™ with Temperature Control and Pantry Divider
- Wi-Fi Enabled
- Adjustable Shelf for Tall, Oversized Items
- Auto Pull-Out Upper Freezer Drawer
- Water Filter Indicator

Design

- AutoFill Water Pitcher
- Premium External Filtered Water and Ice Dispenser with Light
- High-Efficiency LED Lighting
- Accessibility (ADA Compliant)
- EZ-Open Handle™ on Freezer Door
- Tempered Glass Spill-Proof Shelves
- Gallon Door Bins

Performance

- Twin Cooling Plus®
- Ice Max™ - Stores up to 4.2 lbs of Ice
- ENERGY STAR® Compliant
- Two Humidity-Controlled Crispers
- Power Freeze and Power Cool Options
- CoolTight Door
- Door Alarm

Rating



ENERGY STAR® rated:
610 kWh/yr

RF28R6222WW

SAMSUNG

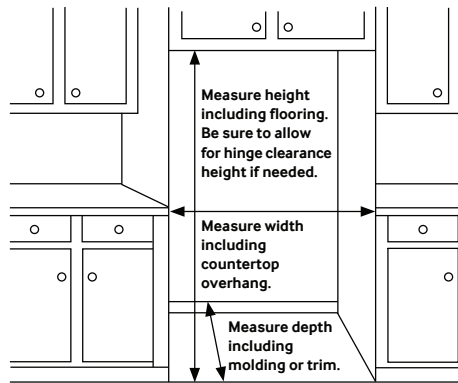
28 cu. ft. Smart 3-Door French Door Refrigerator with AutoFill Water Pitcher

Installation Specifications

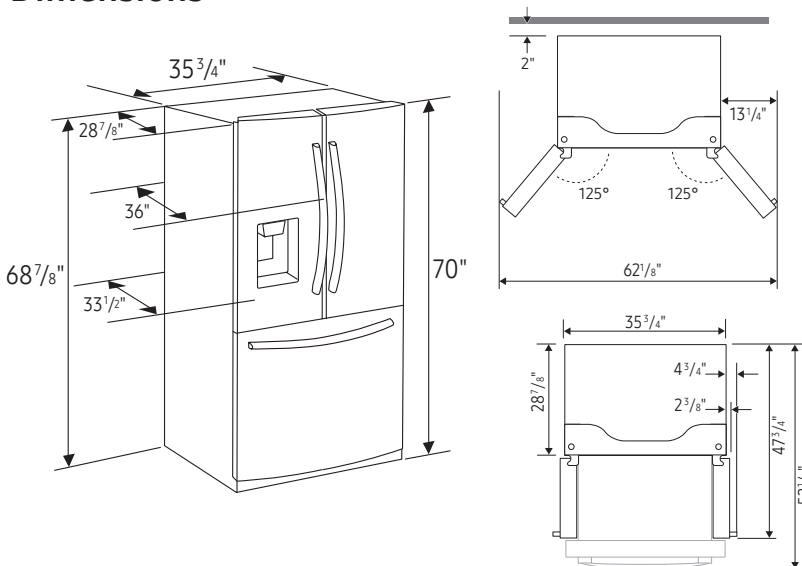
1. Measure the height, width and depth of the opening, making sure to include baseboards, molding tile, countertop overhang, etc. Check to be sure there is enough room to open the door (consider walls, islands or other obstacles when measuring).
2. Refer to illustration below to determine dimensions.
3. Allow 3.75" of clearance on hinge side of refrigerator when installing next to a wall where handle may make contact.
4. Allow 2" minimum clearance at rear for proper air circulation and water/electrical connections. Allow a 3/8" minimum clearance at sides and top for ease of installation.
5. Ensure each door and entryway in the home is wide enough for the refrigerator to be moved through easily.

For optimal usage and to be able to open refrigerator doors completely, do not install next to a wall.

Please note: The following dimension and cutout information is for planning purposes only. For complete installation details, consult manual packed with product, or download manual online at samsung.com.



Dimensions



Total Capacity: 28 cu. ft.

Refrigerator: 19.2 cu. ft.

- Premium External Filtered Water and Ice Dispenser
 - Crushed or Cubed Ice
- Ice Max™
- CoolSelect Pantry™ with Temperature Control – Deli (41°C), Fresh (38°F) and Chilled (32°F) Options
- Pantry Divider
- 2 Humidity-Controlled Crispers
- 5 Tempered Glass Spill-Proof Shelves:
 - 1 Slide-In
 - 1 Foldable Half
 - 3 Fixed
- 6 Clear Door Bins
 - Right Door: 3 Gallon Bins
 - Left Door: 3 Regular Bins
- Adjustable Shelf for Tall, Oversized Items
- High-Efficiency Top LED Lighting

Freezer: 8.8 cu. ft.

- EZ-Open Handle™
- 2 Drawer Dividers
- High-Efficiency LED Lighting

Accessories

Water Filter: HAF-QIN

Warranty

One (1) Year Parts and Labor on Refrigerator
Five (5) Years Parts and Labor on Sealed Refrigeration System Only*
Ten (10) Years Parts and Five (5) Years Labor on Digital Inverter Compressor

*Compressor, evaporator, condenser, drier and connecting tubing.

Product Dimensions & Weight

Dimensions (WxHxD with hinges, handles and doors): 35 3/4" x 70" x 36"

Dimensions (WxHxD without hinges and door): 35 3/4" x 68 7/8" x 28 7/8"

Dimensions (WxHxD with hinge and door, no handle): 35 3/4" x 70" x 33 1/2"

Weight: 324 lbs

Shipping Dimensions & Weight (WxHxD)

Dimensions: 38 5/8" x 76 5/8" x 36 1/8"

Weight: 346 lbs

Color	Model #	UPC Code
White	RF28R6222WW	887276486789