

# RF29A9071SR

SAMSUNG

## 29 cu. ft. Smart 4-Door Flex™ Refrigerator with AutoFill Water Pitcher and Dual Ice Maker



### Signature Features

#### AutoFill Water Pitcher

A built-in pitcher that automatically refills with filtered water and the option to infuse with a flavor of your choice.

#### Dual Ice Maker with Ice Bites

Enjoy your favorite beverage with your choice of ice. Select from cubed ice or Ice Bites that chill your drink faster. Makes up to 6 lbs per day, stores up to 9 lbs total.

#### FlexZone™

Customize your lower-right storage space to be a refrigerator or freezer. With five adjustable settings, you choose what foods to store from fruits and vegetables to your favorite ice cream.

### Available Colors

 Fingerprint Resistant  
Stainless Steel (shown)

 Fingerprint Resistant  
Black Stainless Steel



AutoFill Water Pitcher



Dual Ice Maker with Ice Bites

### Design

- AutoFill Water Pitcher
- Modern Design
- Fingerprint Resistant Finish
- LED Lighting

### Technology

- Dual Ice Maker with Ice Bites and Cubed Ice
- UV Deodorizing Filter
- Wi-Fi Enabled

### Performance

- FlexZone™
- Extra-Large Flexible Storage
- FlexCrisper
- Triple Cooling

### Rating



ENERGY STAR® rated:  
705 kWh/yr



ADA Compliant

# RF29A9071SR

SAMSUNG

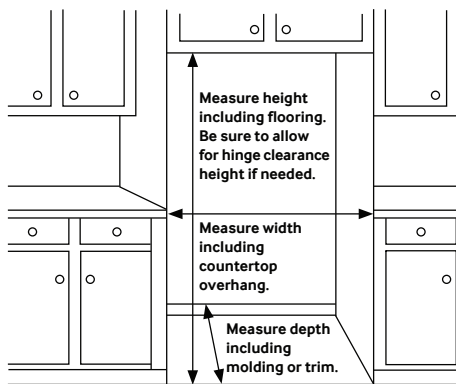
## 29 cu. ft. Smart 4-Door Flex™ Refrigerator with AutoFill Water Pitcher and Dual Ice Maker

### Installation Specifications

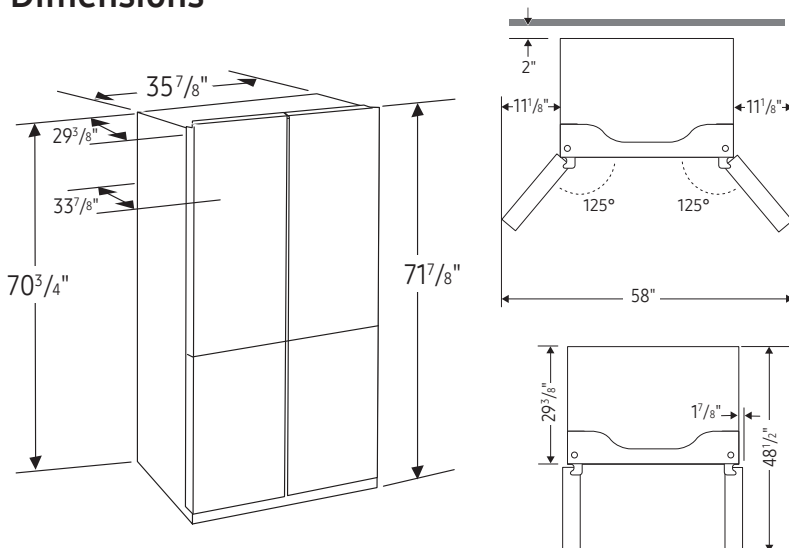
1. Measure the height, width and depth of the opening, making sure to include baseboards, molding tile, countertop overhang, etc. Check to be sure there is enough room to open the door (consider walls, islands or other obstacles when measuring).
2. Refer to illustration below to determine dimensions.
3. Allow 2.5" of clearance on hinge side of refrigerator when installing next to a wall where handle may make contact.
4. Allow 1" minimum clearance at rear for proper air circulation and water/electrical connections. Allow a 3/8" minimum clearance at sides and top for ease of installation.
5. Ensure each door and entryway in the home is wide enough for the refrigerator to be moved through easily.

For optimal usage and ability to open refrigerator doors completely, do not install next to a wall.

Please note: The following dimension and cutout information is for planning purposes only. For complete installation details, consult manual packed with product or download manual online at [samsung.com](http://samsung.com).



### Dimensions



**Total Capacity: 29.2 cu. ft.**

**Refrigerator: 17.6 cu. ft.**

- 4 Tempered Glass Spill-Proof Shelves
- 2 Clear Drawers: FlexCrisper and Crisper+
- 6 Door Bins  
Right: 1 Gallon Bin, 2 Regular Bins  
Left: 1 Gallon Bin, 2 Regular Bins
- LED Lighting

**Freezer: 11.6 cu. ft.**

- Dual Ice Maker in Freezer (Cubed Ice or Ice Bites)  
2 Ice Buckets with Cover and 1 Scoop
- 3 Slide-Out Shelves
- 6 Door Bins
- LED Lighting

### Accessories

Water Filter: HAF-QIN

### Warranty

One (1) Year Parts and Labor on Refrigerator  
Five (5) Years Parts and Labor on Sealed Refrigeration System Only\*  
Ten (10) Years Parts and Five (5) Years Labor on Digital Inverter Compressor

\*Compressor, evaporator, condenser, drier and connecting tubing.

### Product Dimensions & Weight

Dimensions (WxHxD with hinges and doors):  
35<sup>7</sup>/<sub>8</sub>" x 71<sup>7</sup>/<sub>8</sub>" x 33<sup>7</sup>/<sub>8</sub>"

Dimensions (WxHxD without hinges and door):  
35<sup>7</sup>/<sub>8</sub>" x 70<sup>3</sup>/<sub>4</sub>" x 29<sup>3</sup>/<sub>8</sub>"

Weight: 308.6 lbs

### Shipping Dimensions & Weight (WxHxD)

Dimensions: 38<sup>1</sup>/<sub>4</sub>" x 77<sup>5</sup>/<sub>8</sub>" x 36<sup>1</sup>/<sub>4</sub>"

Weight: 330.7 lbs

### Color

Fingerprint Resistant  
Stainless Steel

### Model #

RF29A9071SR

### UPC Code

887276525716

Fingerprint Resistant  
Black Stainless Steel

RF29A9071SG

887276525693