

# RS27T5202SR

SAMSUNG

## 27.4 cu. ft. Large Capacity Side-By-Side Refrigerator



### Signature Features

#### Most Efficient

This refrigerator uses 546 kw/year, a 25% reduction in energy consumption compared to similar models.\*

\* When compared to Samsung side-by-side model RS27T5200

#### Large Capacity

A completely redesigned interior with 27.4 cu. ft. capacity that fits 10% more groceries than ever.\*

\* When compared to standard depth Samsung side-by-side model RS25J500D with 24.52 cu. ft. capacity

#### Modern Design

Clean lines and modern form blend beautifully into your kitchen.

#### Fingerprint Resistant Finish

A finish that withstands everyday smudges, so you spend less time cleaning.

### Available Color



Fingerprint Resistant  
Stainless Steel



Large Capacity



Fingerprint Resistant Finish

### Design

- Large Capacity of 27.4 cu. ft.
- Fingerprint Resistant Finish
- Minimal Display Dispenser: external filtered water and ice
- LED Lighting
- Four Gallon Door Bins
- Two Clear Drawers

### Convenience

- Adjustable Top Freezer Shelf
- Door Alarm
- Water Filter Indicator
- Sabbath Mode

### Performance

- All-Around Cooling
- In-Door Ice Maker - Stores up to 4.4 lbs of ice

### Rating

ENERGY STAR® Most Efficient: 546 kWh/yr



ADA Compliant

# RS27T5202SR

SAMSUNG

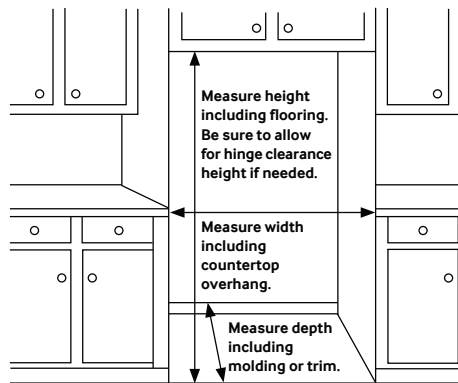
## 27.4 cu. ft. Large Capacity Side-By-Side Refrigerator

### Installation Specifications

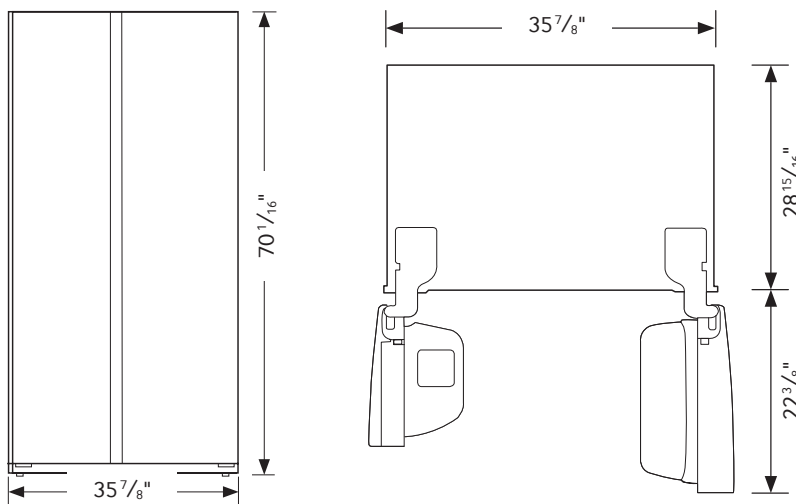
1. Measure the height, width and depth of the opening, making sure to include baseboards, molding tile, countertop overhang, etc. Check to be sure there is enough room to open the door (consider walls, islands or other obstacles when measuring).
2. Refer to illustration below to determine dimensions.
3. Allow 2.5" of clearance on hinge side of refrigerator when installing next to a wall where handle may make contact.
4. Allow 1" minimum clearance at rear for proper air circulation and water/electrical connections. Allow a 3/8" minimum clearance at sides and top for ease of installation.
5. Ensure each door and entryway in the home is wide enough for the refrigerator to be moved through easily.

For optimal usage and to be able to open refrigerator doors completely, do not install next to a wall.

Please note: The following dimension and cutout information is for planning purposes only. For complete installation details, consult manual packed with product, or download manual online at [samsung.com](http://samsung.com).



### Dimensions



**Total Capacity: 27.4 cu. ft.**

**Refrigerator: 17.9 cu. ft.**

- 4 Tempered Glass Shelves
- 2 Clear Drawers
- 5 Door Bins
  - 4 Gallon Bins
  - 1 Door Bin
- LED Lighting

**Freezer: 9.5 cu. ft.**

- External Filtered Water and Ice Dispenser (Crushed or Cubed Ice)
- In-Door Ice Maker
- 5 Tempered Glass Shelves
- 1 Drawer
- 2 Door Bins
- LED Lighting

### Accessories

Water Filter: HAF-QIN

### Warranty

One (1) Year Parts and Labor on Refrigerator  
Five (5) Years Parts and Labor on Sealed Refrigeration System Only\*  
Ten (10) Years Parts and Five (5) Years Labor on Digital Inverter Compressor

\*Compressor, evaporator, condenser, drier and connecting tubing.

### Product Dimensions & Weight

Dimensions (WxHxD with hinges, handles, doors and dispenser): 35<sup>7</sup>/<sub>8</sub>" x 70<sup>1</sup>/<sub>16</sub>" x 33<sup>1</sup>/<sub>2</sub>"

Dimensions (WxHxD without hinges and door): 35<sup>7</sup>/<sub>8</sub>" x 68<sup>5</sup>/<sub>8</sub>" x 28<sup>15</sup>/<sub>16</sub>"

Dimensions (WxHxD with hinge and door, no handle): 35<sup>7</sup>/<sub>8</sub>" x 70<sup>1</sup>/<sub>16</sub>" x 33<sup>1</sup>/<sub>2</sub>"

Weight: 289 lbs

### Shipping Dimensions & Weight (WxHxD)

Dimensions: 37<sup>3</sup>/<sub>4</sub>" x 75<sup>3</sup>/<sub>8</sub>" x 35"

Weight: 298 lbs

### Color

Fingerprint Resistant  
Stainless Steel

### Model #

RS27T5202SR

### UPC Code

887276783840